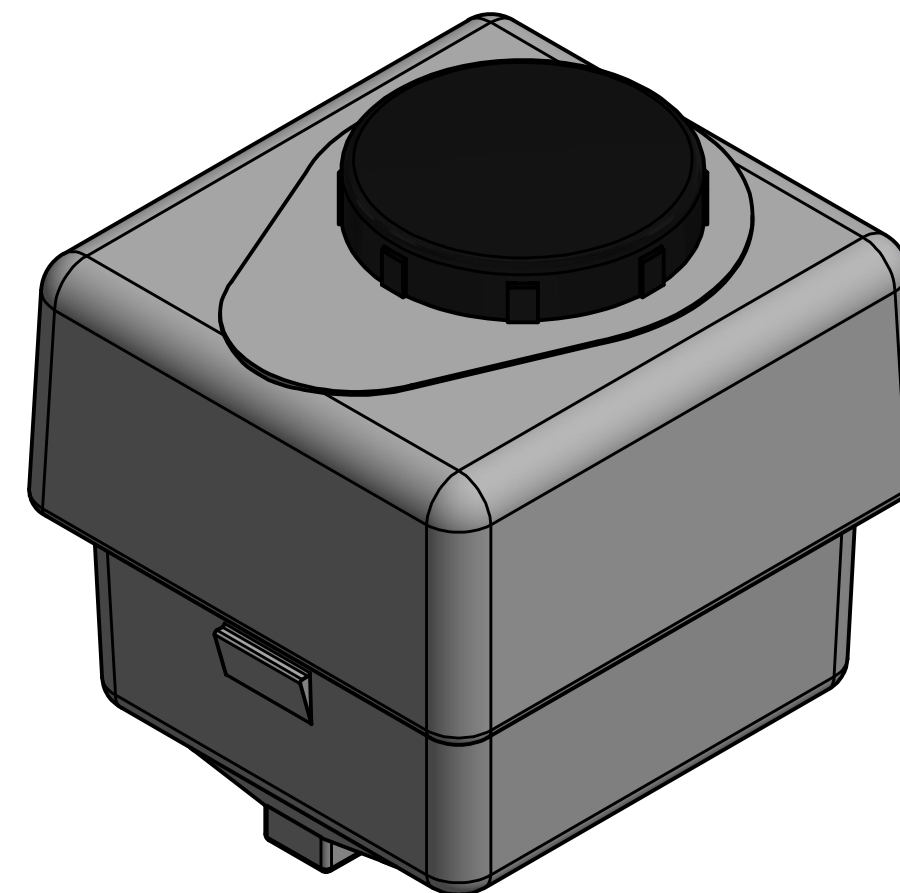
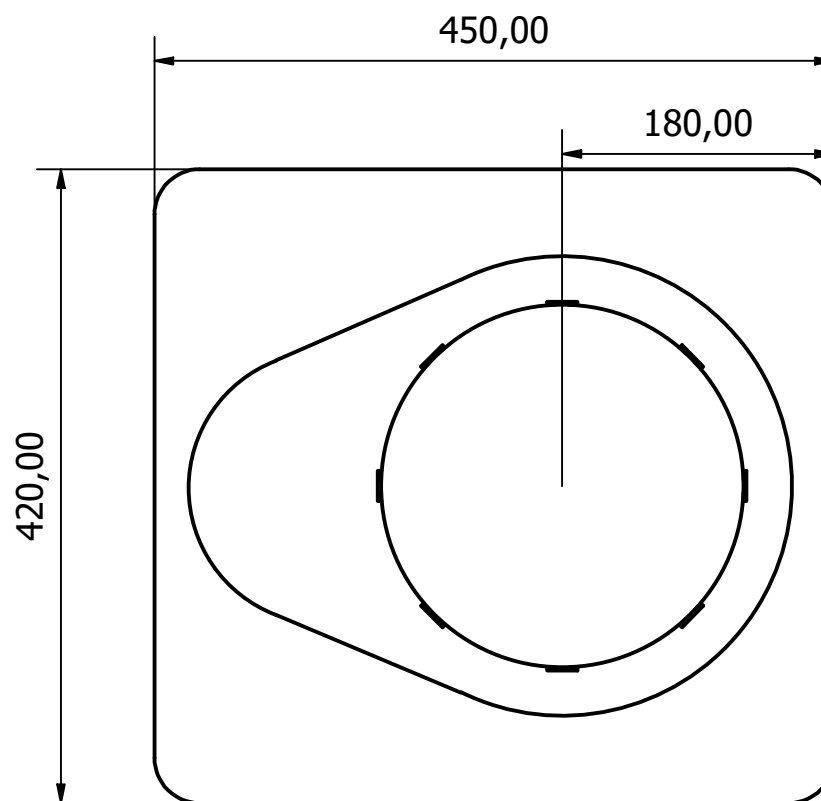
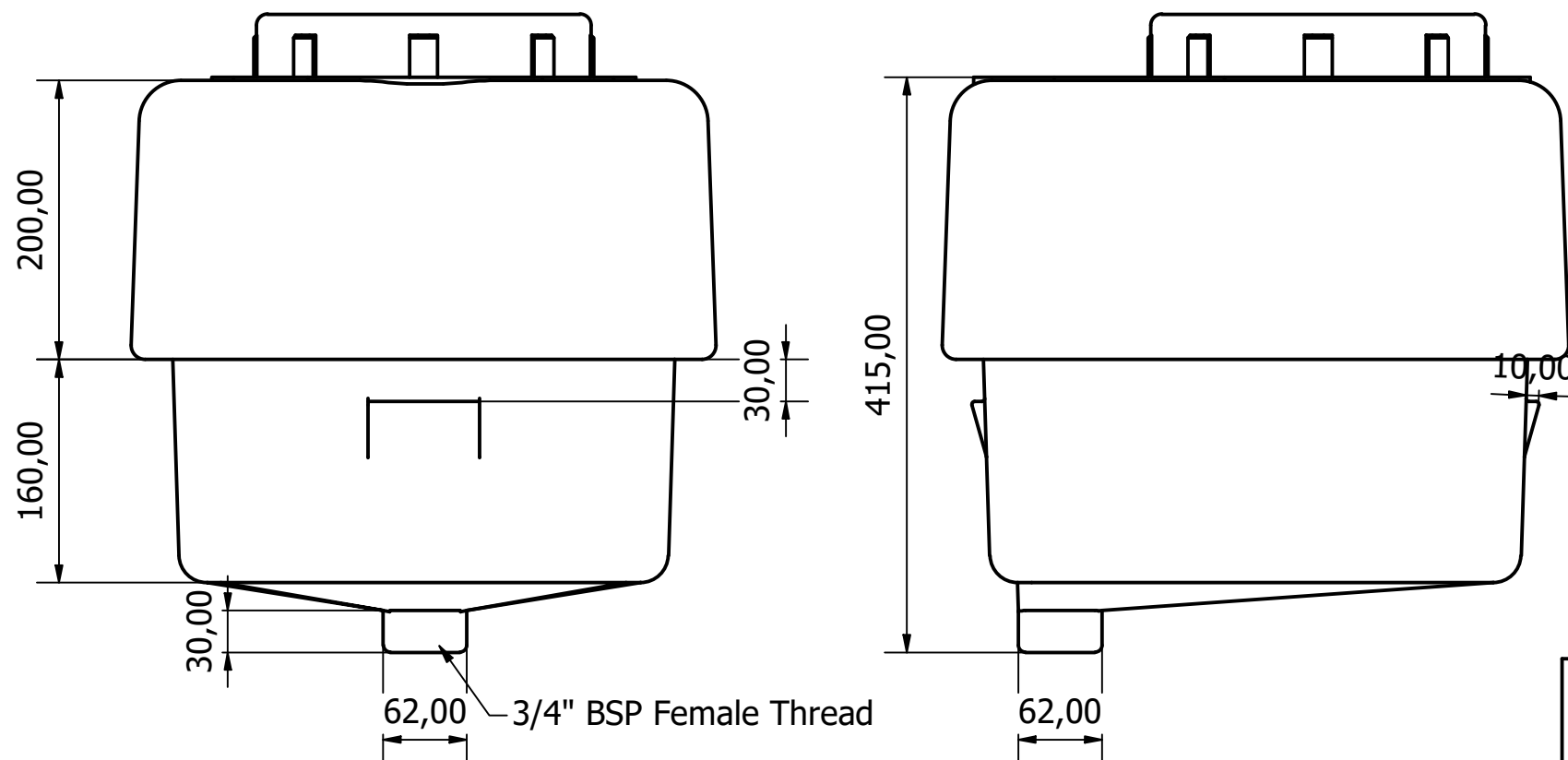



DO NOT SCALE UNLESS STATED - IF IN DOUBT ASK

Material	
Qty Req'd	



8" Spring Vented Lid



 <p>THIS DRAWING AND THE INFORMATION THEREON IS THE SOLE PROPERTY OF WYDALE PLASTICS LTD AND SHALL NOT BE COPIED OR REPRODUCED WITHOUT THE CONSENT OF WYDALE PLASTICS LTD. DIMENSIONS ARE ALL IN MM UNLESS OTHERWISE STATED. ALL TOLERANCES +/- 3% UNLESS STATED.</p>	CUSTOMER: Wydale Plastics Ltd		
	PROJECT: 60 Litre Sprayer Tank		
	DRAWN DATE: 15/11/2018	DESIGNED BY: joshv	CHECKED BY:
	SHEET 1 OF 1	REV A	DRAWING NO:

REV	ZONE	DESCRIPTION	DATE