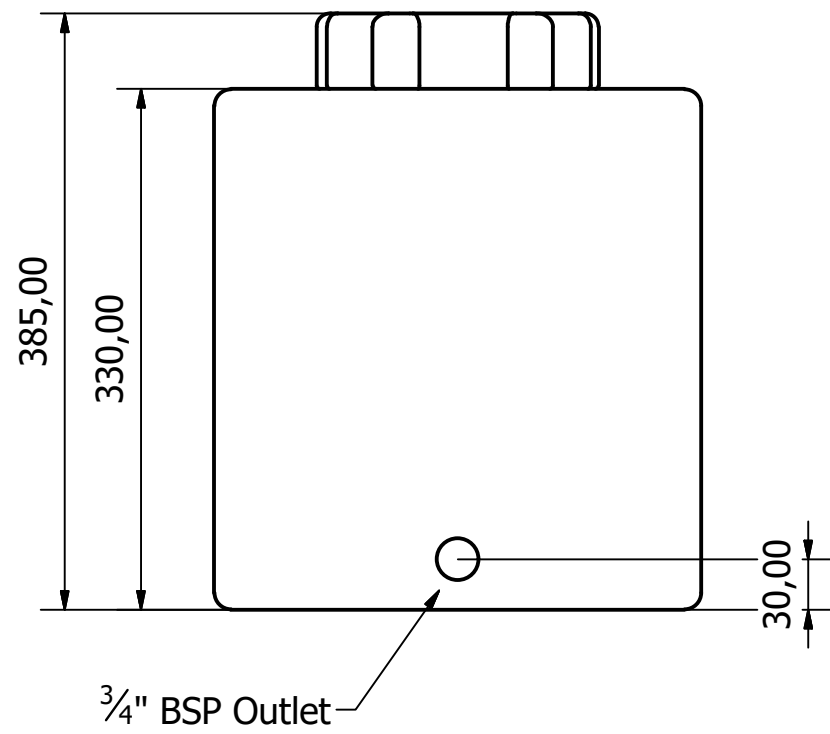
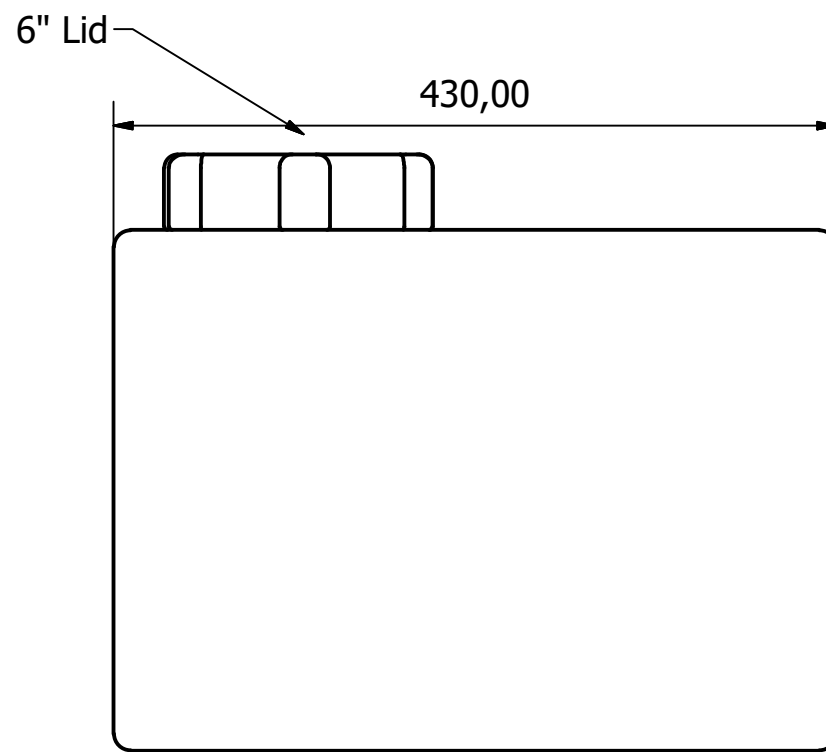
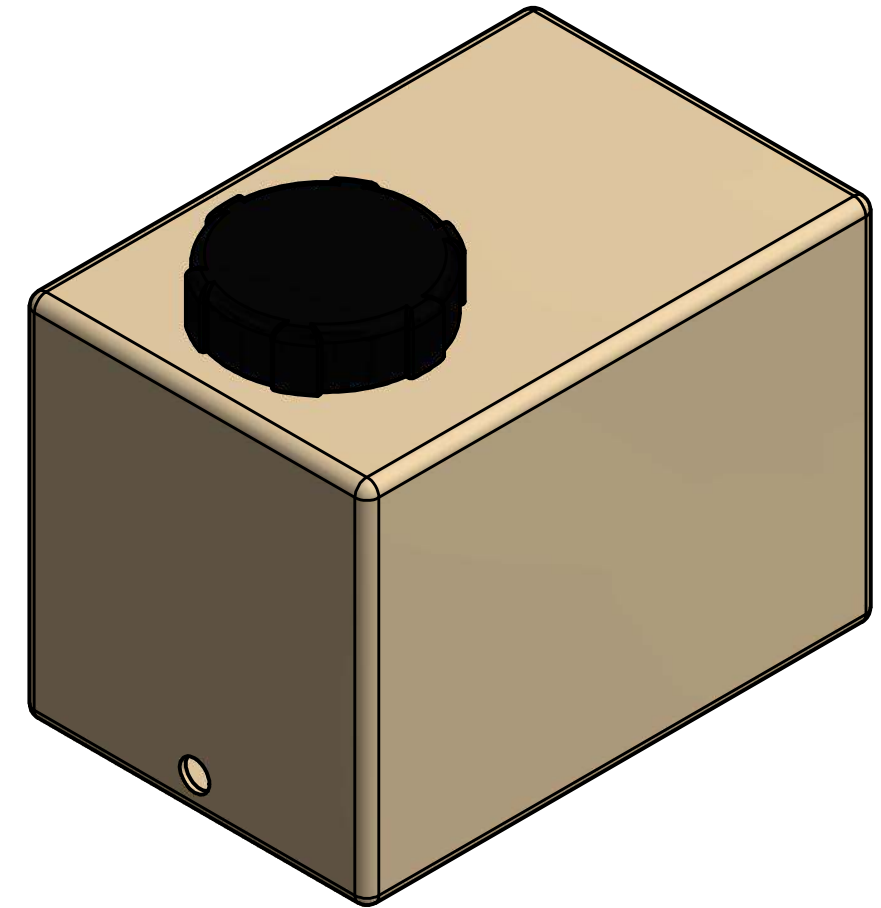
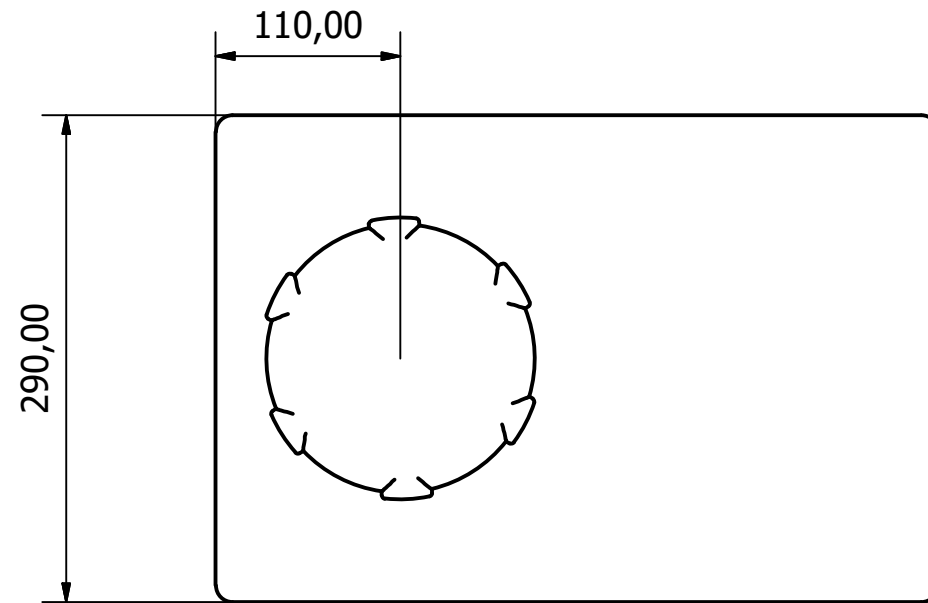


DO NOT SCALE UNLESS STATED - IF IN DOUBT ASK

Material	
Qty Req'd	



CUSTOMER:		
PROJECT:		36 Litre Tank
DRAWN DATE: 01/06/2018	DESIGNED BY: joshv	CHECKED BY:
SHEET 1 OF 1	REV A	DRAWING NO:

REV	ZONE	DESCRIPTION	DATE