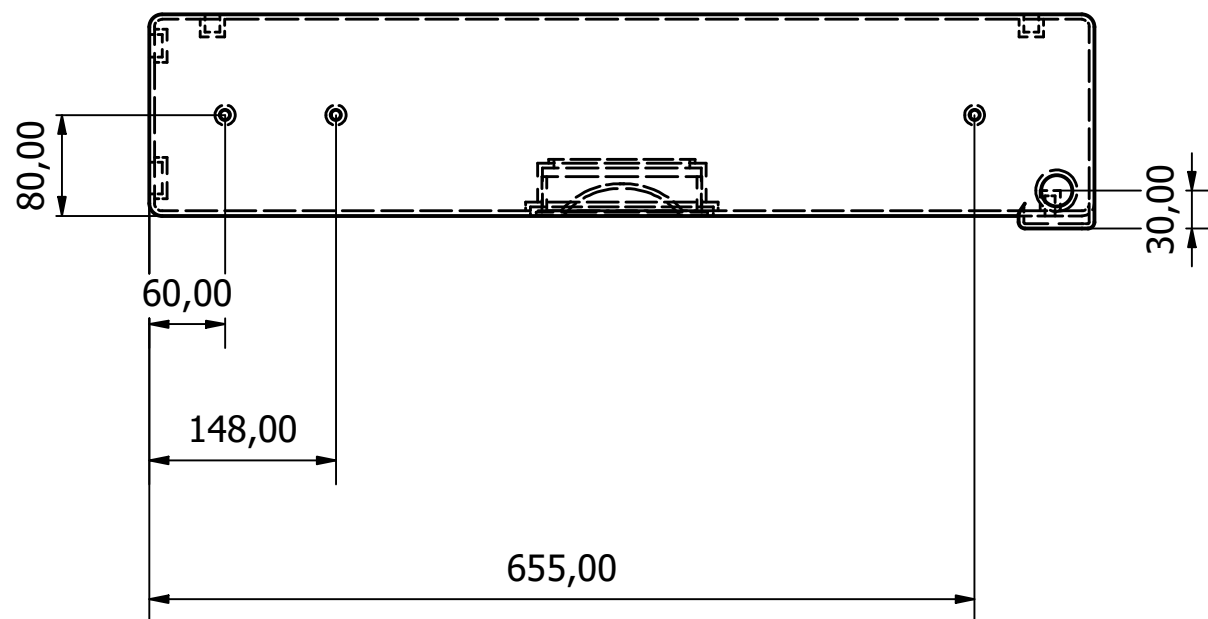
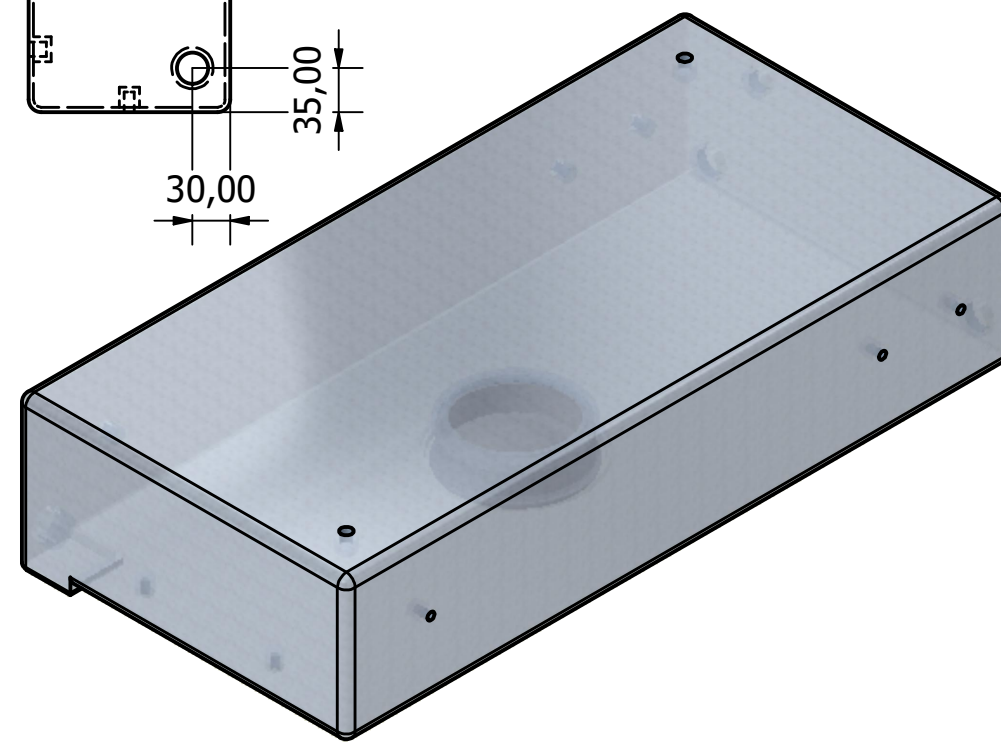
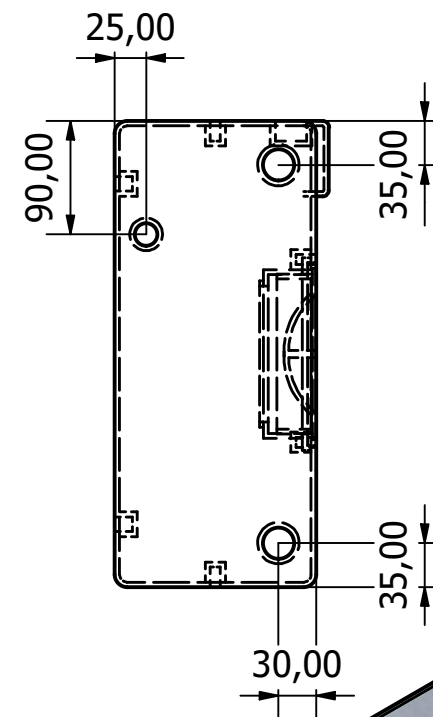
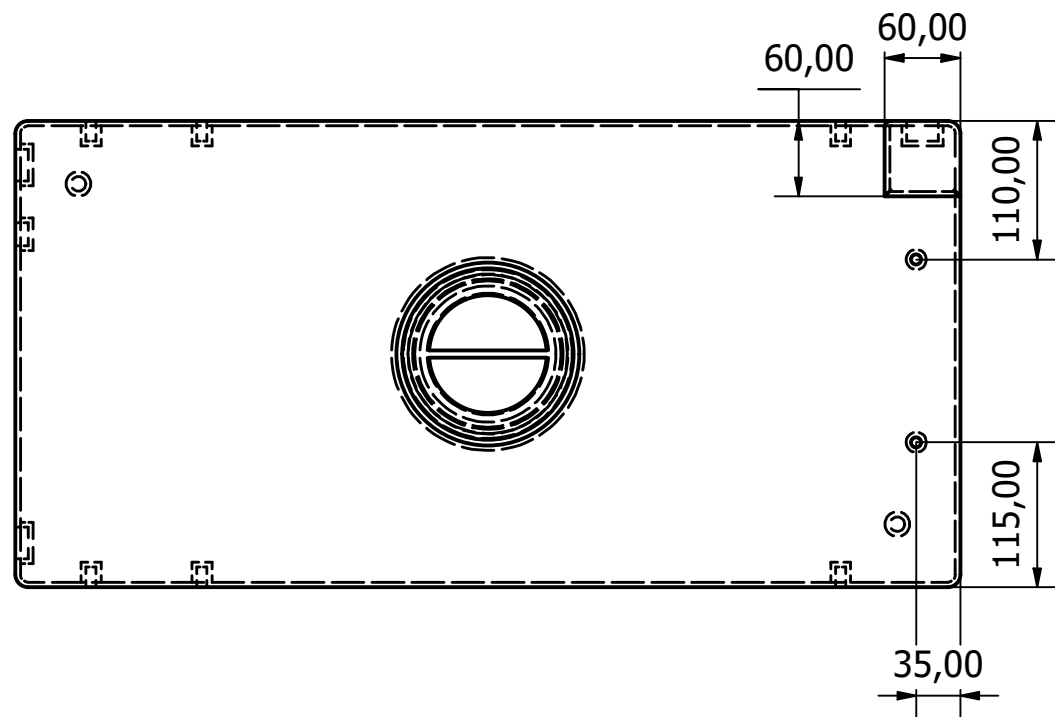
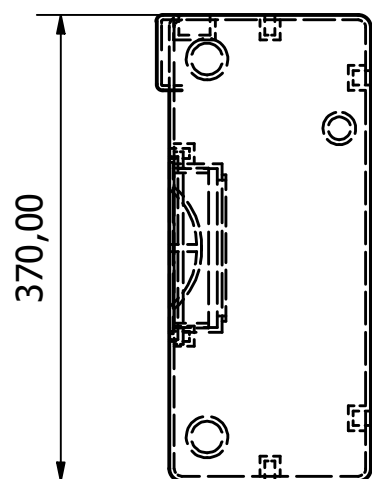
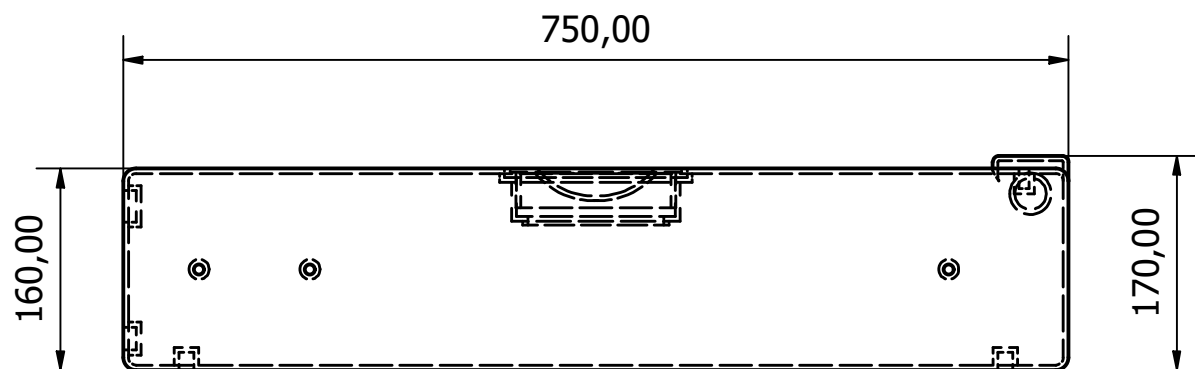


DO NOT SCALE UNLESS STATED - IF IN DOUBT ASK

Nominal wall thickness - 4mm  
Nominal weight - 4.5kg

Material	Polyethylene
Qty Req'd	



REV	ZONE	DESCRIPTION	DATE



**Wydale Plastics Ltd**  
Cathole Bridge Rd,  
Crewkerne,  
Somerset,  
TA18 8RF  
Tel: 01460 73212  
Fax: 01460 77348

THIS DRAWING AND THE INFORMATION THEREON IS THE SOLE PROPERTY OF WYDALE PLASTICS LTD AND SHALL NOT BE COPIED OR REPRODUCED WITHOUT THE CONSENT OF WYDALE PLASTICS LTD. DIMENSIONS ARE ALL IN MM UNLESS OTHERWISE STATED.  
ALL TOLERANCES +/- 1MM UNLESS STATED.

CUSTOMER: Wydale Plastics Ltd		
PROJECT: 40 Litre Flat Underslung Camper Tank		
DRAWN DATE: 19/12/2022	DESIGNED BY: Rory	CHECKED BY:
SHEET 1 OF 1	REV A	DRAWING NO:

