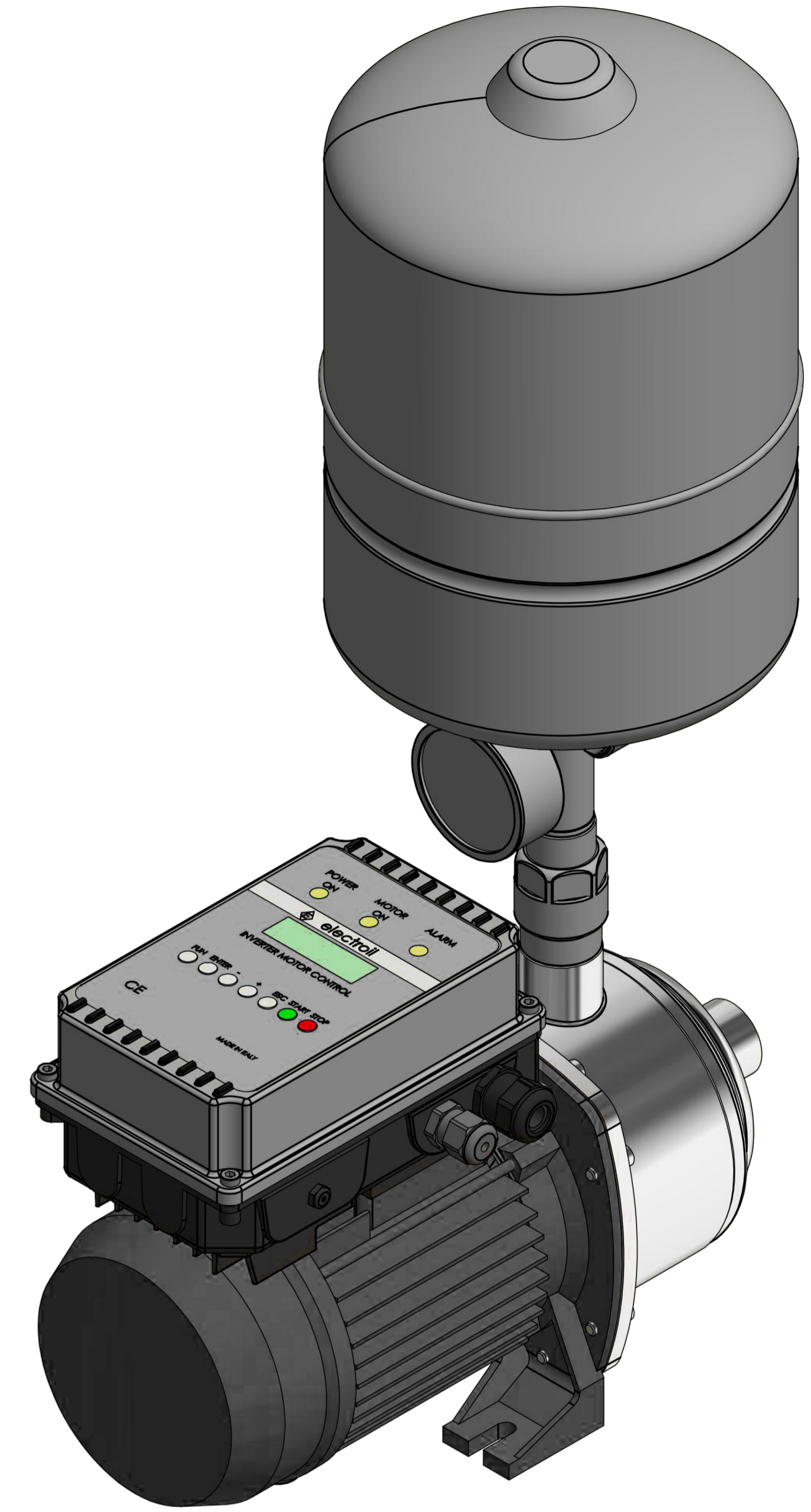
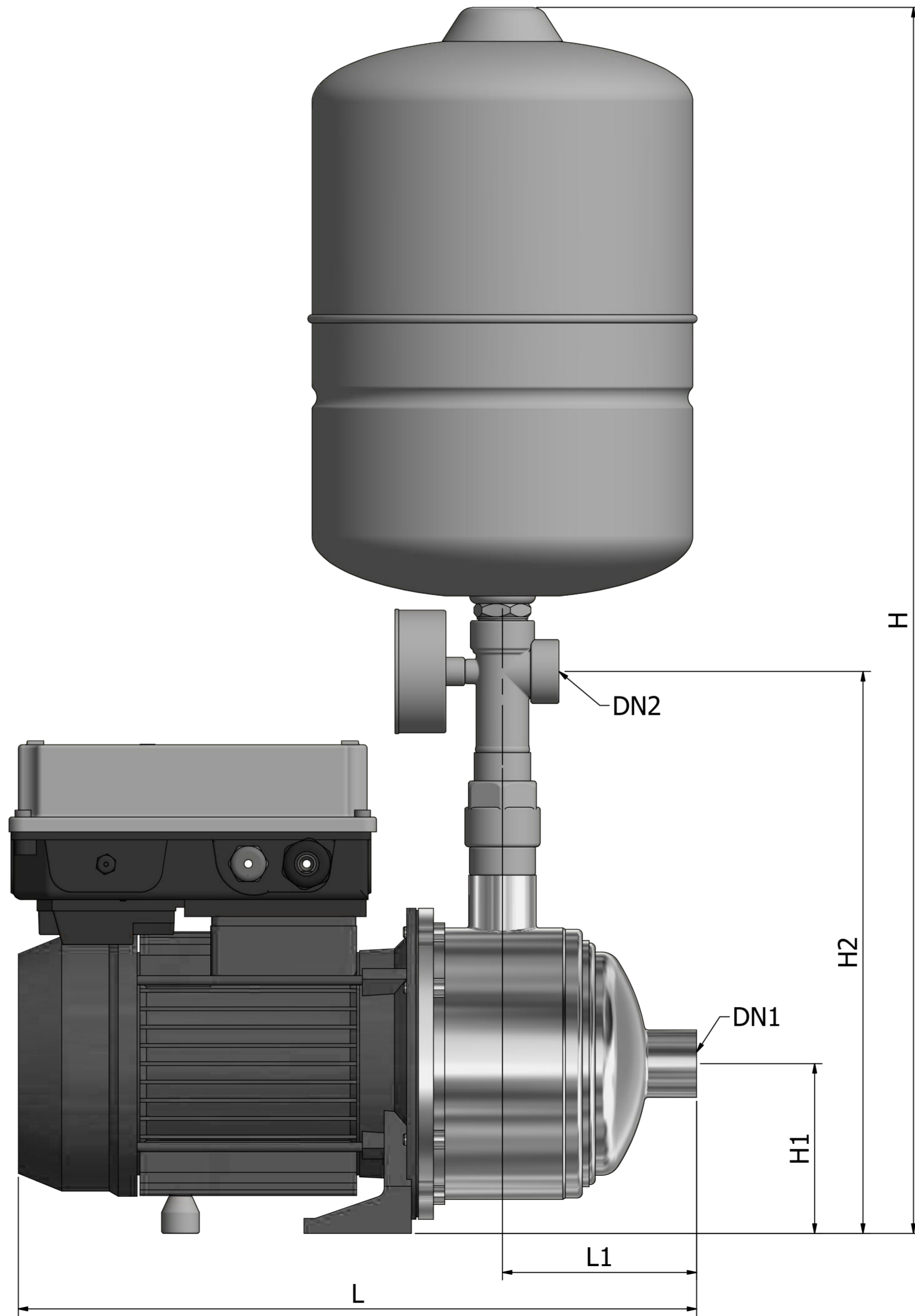


DIMENSIONS OF SINGLE PUMP UNITS						
MODEL REF	DN1	DN2	H	H1	H2	L
1RS3-5/8/GF	1"	1"	700	80	310	360
1RS3-7/8/GF	1"	1"	700	80	310	408
1RS5-5/8/GF	1"	1"	700	80	310	444
1RS5-7/8/GF	1"	1"	700	80	310	408
1RS10-3/8/GF	1"	1"	700	80	310	444



Rev	Date	Description
THIRD ANGLE PROJECTION		
<p>THIS DRAWING IS CONFIDENTIAL AND MAY NOT BE USED, COPIED OR DISCLOSED TO ANYONE WITHOUT THE PERMISSION OF D.P. & T.</p>		
PRODUCT CODE		PRODUCT DESCRIPTION
		SINGLE SERIES
Drawn By:	R.U.	Checked By: C.W.
Approved By:	C.W.	REV 1
Drawn Date:	02/02/2021	Checked Date: 02/02/2021
Approved Date:	02/02/2021	SIZE A3
		SHEET 1 OF 1
		SCALE 1:2