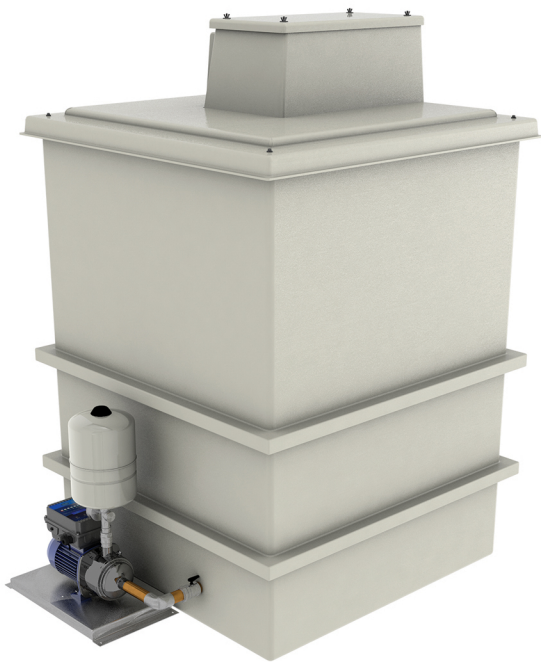
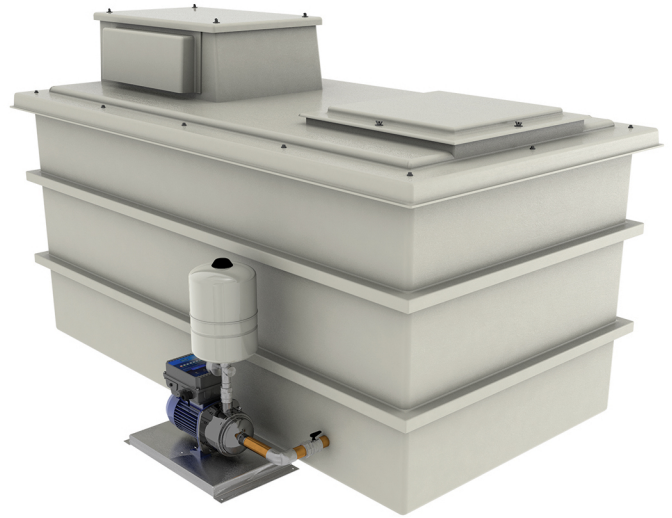


AquaForce Packaged Booster Set

The AquaForce Packaged Booster Set comes complete with a WRAS approved and REG4 certified pump and variable speed controller. The pump is available in various options that can deliver up to 160 litres per minute and a maximum pressure of 7 bar.

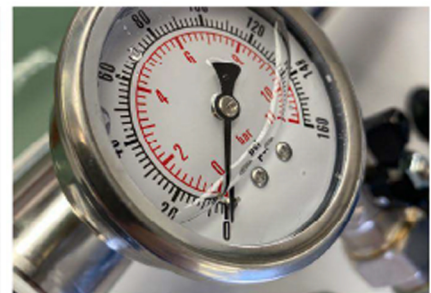
The pump can be paired with either a 1501 or 2000 litre GRP tank which also meets the above industry leading standards.

Each unit is CAT 5 compliant. The unit has easy entry through a standard access door and is fast and simple to connect and install. This system comes fully wet and pressure tested allowing you to have a "plug-and-play" installation on-site.



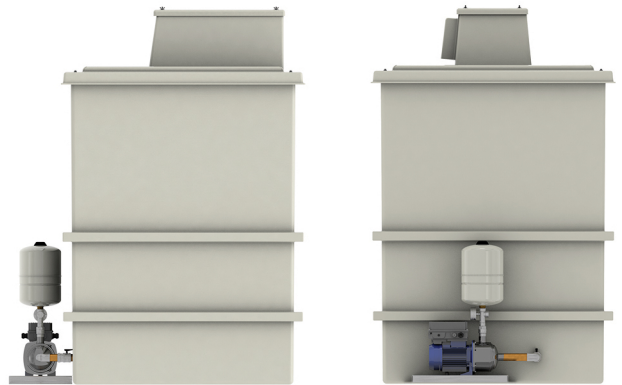
Product Features

- Up to 2000 litre capacity
- Single phase 230v supply
- 2 Year warranty (terms apply)
- GRP tank
- Cat 5 AB air gap
- Low level protection
- Electronic pressure controller

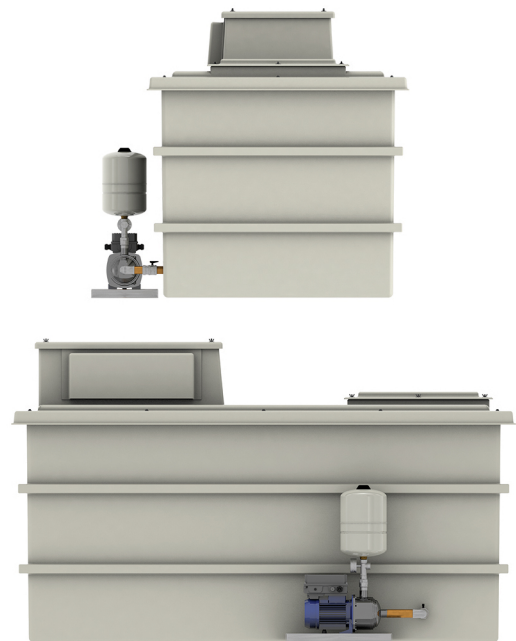
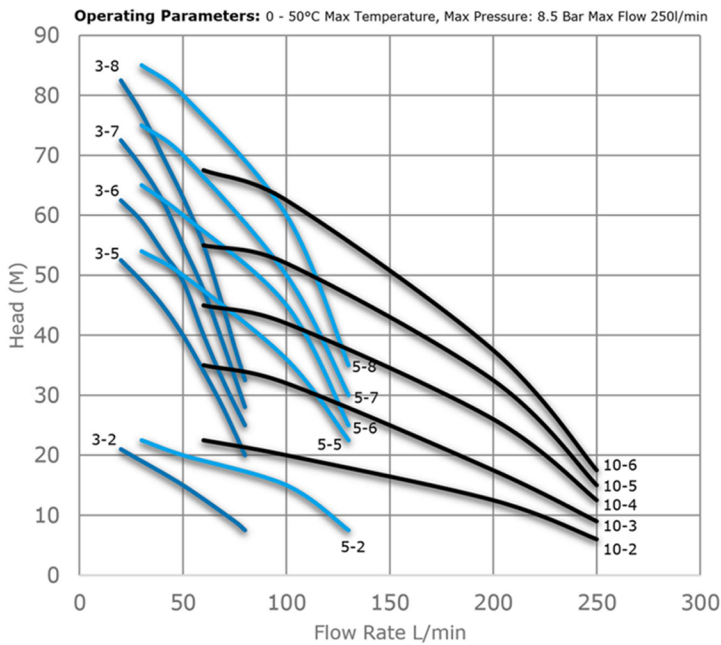


AquaForce Packaged Booster Set

Model Ref	Mid Curve Flow	Pressure (bar)	DN1	DN2	Power Supply	kW	HP	FLC (amp)
1RS302/8DPT	50 l/m	1.5	1"	1"	1x240v	0.45	0.6	2.3
1RS305/8DPT	50 l/m	4	1"	1"	1x240v	0.75	1	3
1RS306/8DPT	50 l/m	4.5	1"	1"	1x240v	0.9	1.2	4.3
1RS307/8DPT	50 l/m	5	1"	1"	1x240v	1.3	1.8	5.6
1RS308/8DPT	50 l/m	5.25	1"	1"	1x240v	1.3	1.8	5.6
1RS502/8DPT	75 l/m	1.75	1½"	1"	1x240v	0.45	0.6	2.3
1RS505/9DPT	75 l/m	4.5	1½"	1"	1x240v	1.3	1.8	5.6
1RS506/8DPT	75 l/m	5	1½"	1"	1x240v	1.3	1.8	5.6
1RS507/8DPT	75 l/m	6.5	1½"	1"	1x240v	1.5	2	6.3
1RS508/8DPT	75 l/m	7	1½"	1"	1x240v	2.2	3	8.2
1RS1002/8DPT	160 l/m	1.8	1½"	1½"	1x240v	0.75	1	3
1RS1003/8DPT	160 l/m	2.5	1½"	1½"	1x240v	1.3	1.8	5.6
1RS1004/8DPT	160 l/m	3.5	1½"	1½"	1x240v	1.5	2	6.3
1RS1005/8DPT	160 l/m	4	1½"	1½"	1x240v	2.2	3	8.2
1RS1006/8DPT	160 l/m	5	1½"	1½"	1X240V	2.2	3	8.2



Capacity	1501 Litres
Internal Dimensions	1000x1000x1500mm
External Dimensions	1180x1180x1593mm



Capacity	2000 Litres
Internal Dimensions	2000x1000x1000mm
External Dimensions	2202x1202x1093mm