



EcoMaxx
Rainwater Harvesting

Introduction

The EcoMaxx system combines the power of the Walrus HQ Series pump with a robust, cylindrical water-tank capable of holding up to 1300L of water.

The EcoMaxx system allows you to harvest a huge volume of rainwater yet only occupies a 1410mm floor area while being x 1740mm high.

A water filter is the first step in a professional rainwater cleaning system. When collecting rain from a roof less than 100m², the 3P Technik Filter Collector Universal is ideal. It fits your downpipe and attaches via a hose through the wall of the utility tank. The fine mesh filter separates dirt particles and debris washed from your roof from the rainwater.

The dirt is washed to waste (or a soakaway) and the cleaned water flows to the tank. The Stainless-Steel filter insert is easy to remove and clean and comes with a 30 cm connecting hose as standard. Other lengths of hose are available.

The Walrus HQ Series pump is a professional quality automatic jet pump. The HQ Series pump is a complete, all-in-one unit, consisting of pump, motor, pressure tank and electronic controller.

The built in electronic controller provides constant pressure which ensures that the pump starts automatically when water is consumed and operates continuously until water is not required.

The HQ Series pump is constructed from the top-quality corrosion resistant materials and comes complete with built in dry-run shut off with automatic reset function.

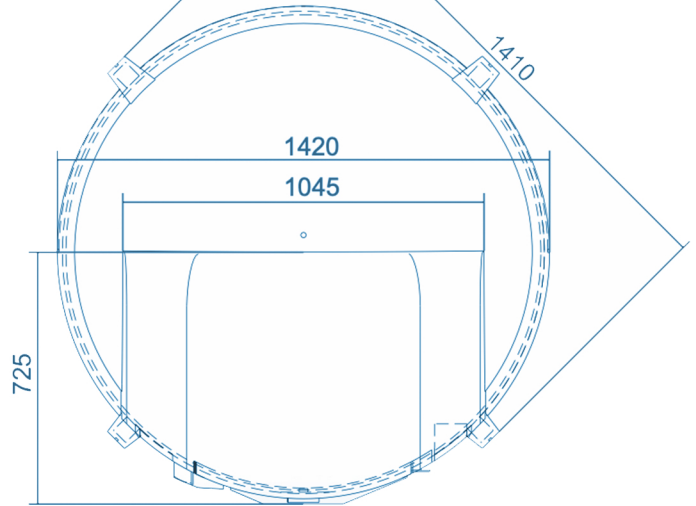
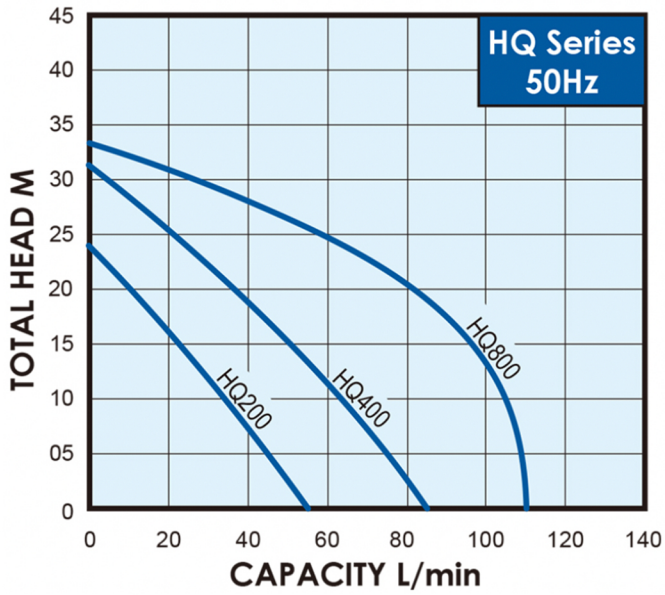
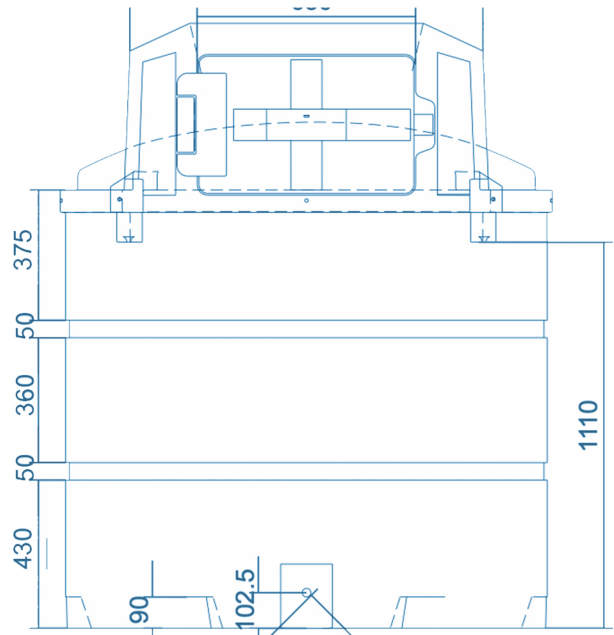
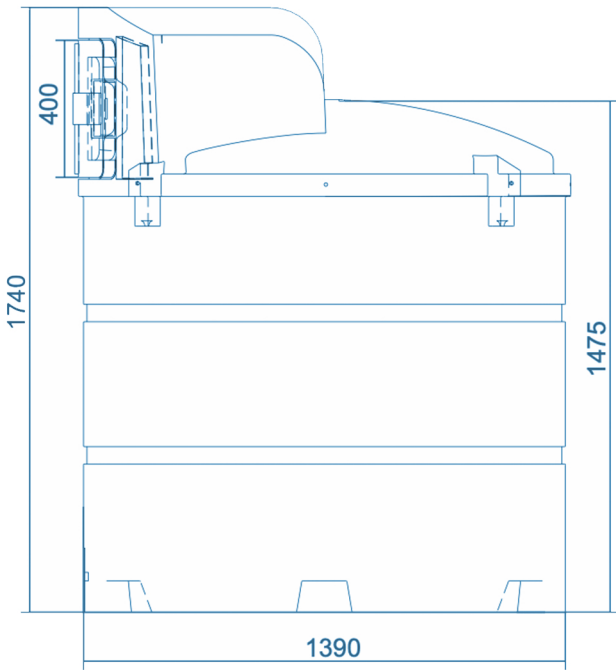
The motor has built-in thermal overload to protect against high operating temperatures and over current. The HQ has an anti-cycling feature which prevents the pump from continuous starting and stopping when you have a dripping tap or minor leak in the system.

In this system the pump is positioned inside the tank. The intelligent Walrus pump responds to pressure in the delivery pipe. It turns itself on when there is a demand for water, then switches off again automatically once the demand has been met.

It comes with a Float Switch which will turn the pump off if the water level in the tank gets too low. Therefore, protecting the pump from overheating.



TANKS DIRECT



TYPE	POWER (kW)	PHASE	VOLTAGE	AMPERE	INLET	OUTLET
HQ200	0.18	1	200 ~ 240	1.5	1"	1"
HQ400	0.37	1	200 ~ 240	2.8	1"	1"
HQ800	0.75	1	200 ~ 240	4.5	1"	1"