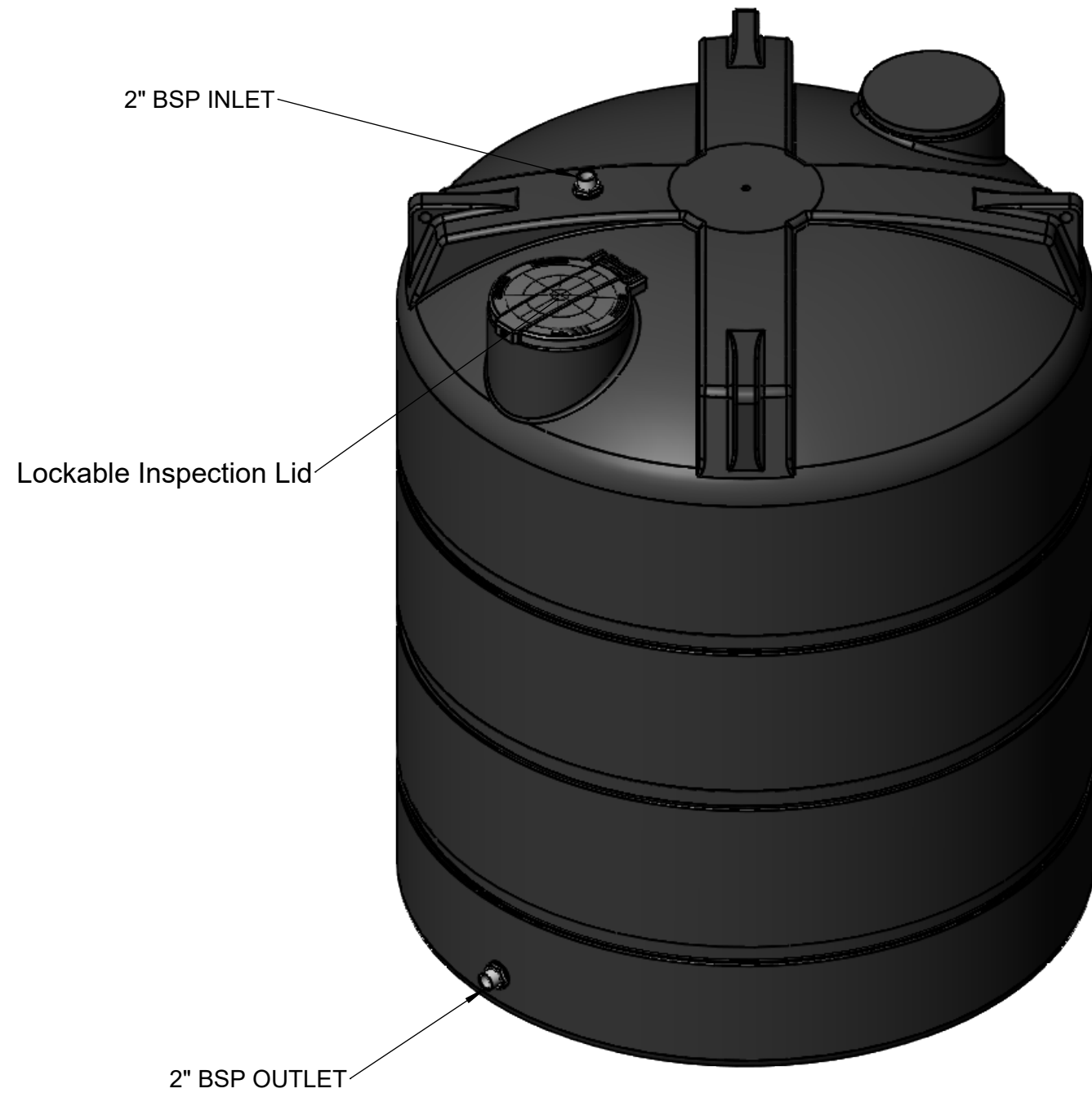
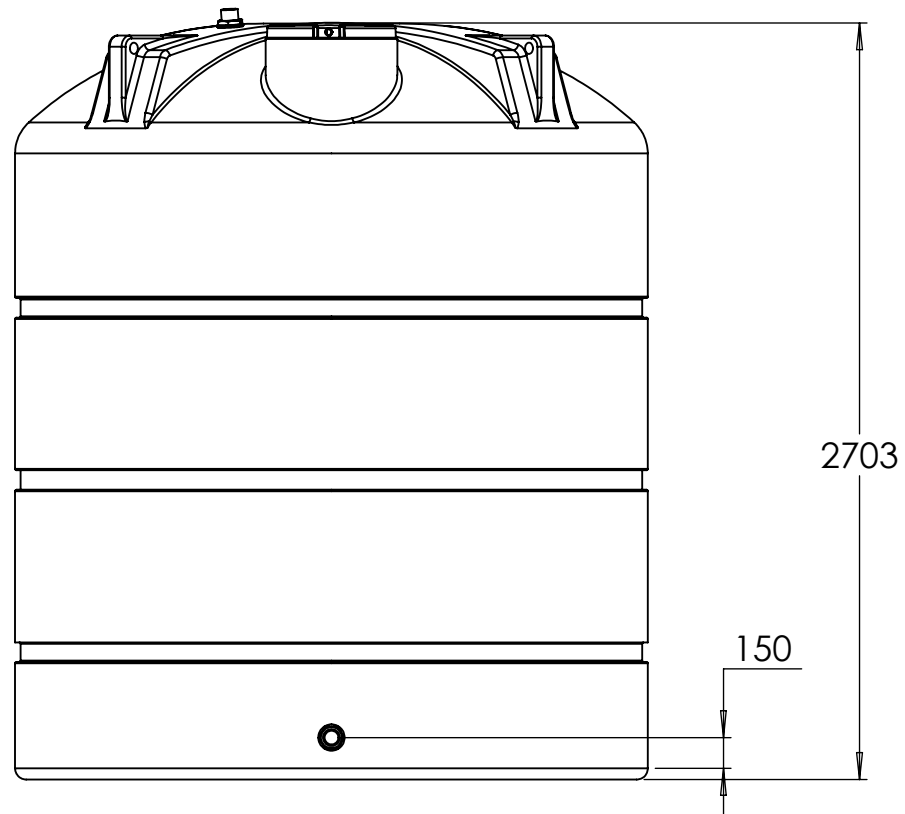
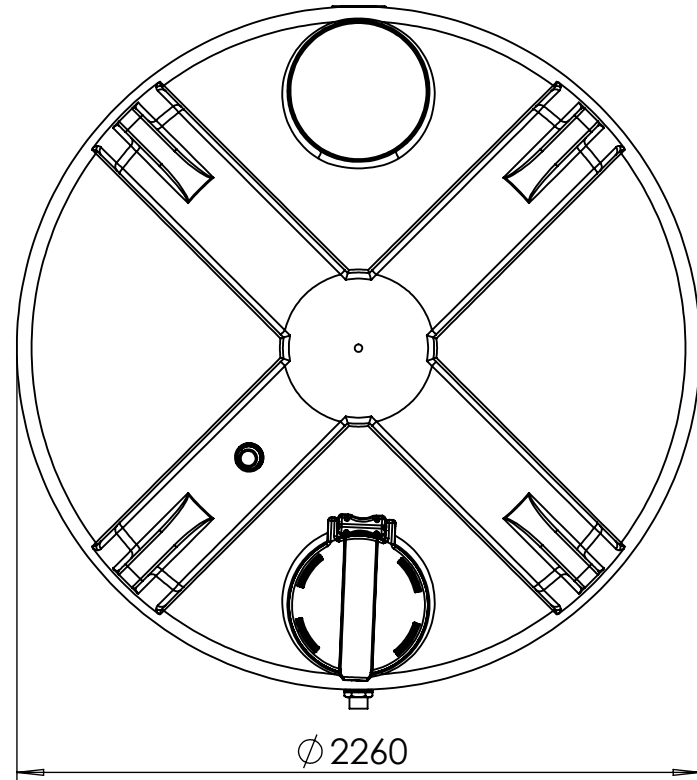


V9200WST



NOTE:
1. BRIMFILL CAPACITY: 9421 LITRES

UNLESS OTHERWISE SPECIFIED DIMENSIONS ARE IN MM. TOLERANCES ARE: NO DECIMAL ±5	DRAWN	DATE	Tanks Direct TEL: 01643 703358 Website: www.tanks-direct.co.uk Email: sales@tanks-direct.co.uk	
	OF	30 Nov 2023		
MASS (Kg)	APPROVED		V9200WST Water Tank DRAWING NO. V9200WST IF IN DOUBT - ASK.	
PROJECTION  3RD ANGLE PROJECTION				
CAD GENERATED DRAWING, DO NOT MANUALLY UPDATE DO NOT SCALE DRAWING			REV. 01	SHEET SIZE A3
			SHEET 1 OF 1	

Please Check with Kingspan Water & Energy Ltd For The Latest Issue Of This Drawing