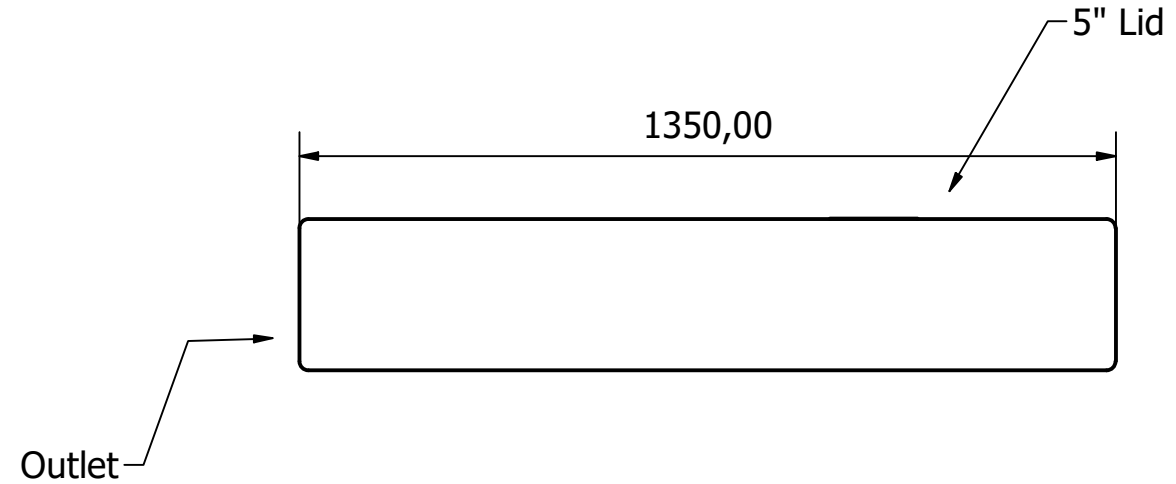
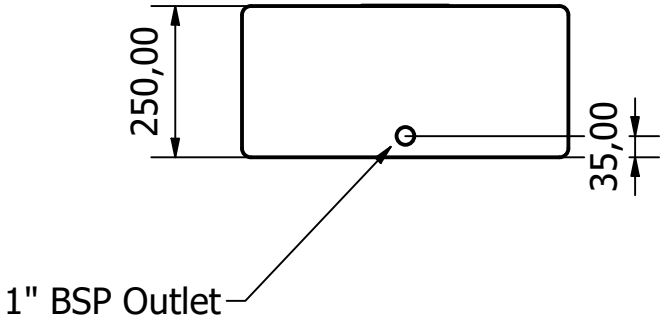
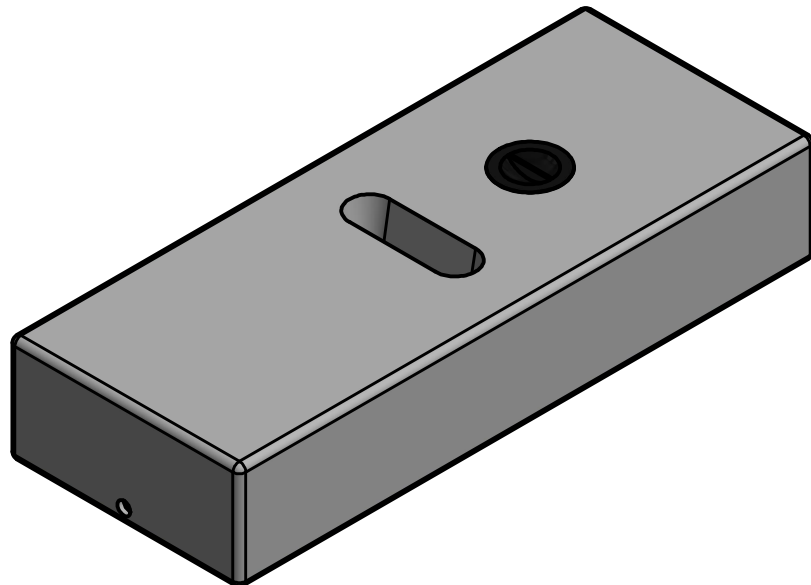
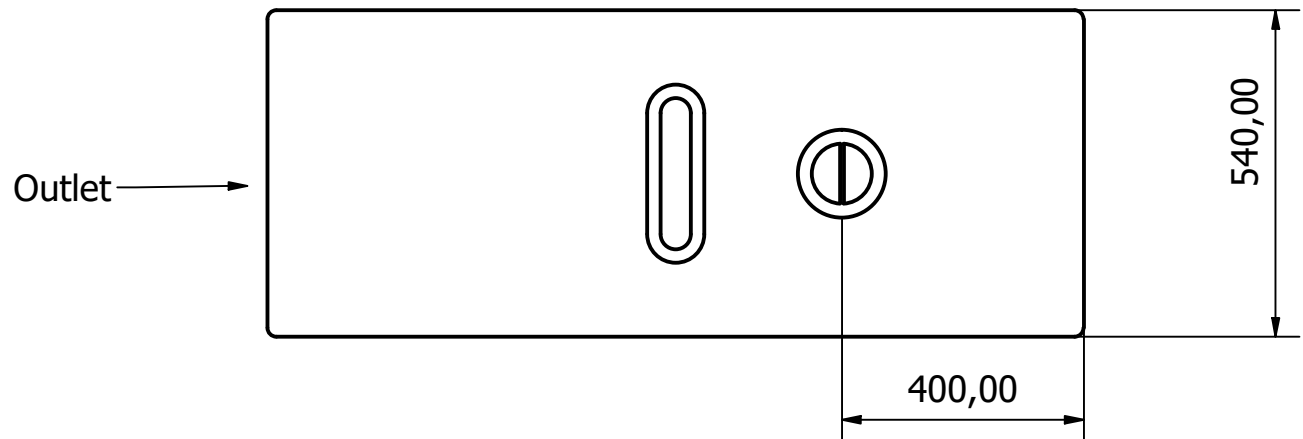


DO NOT SCALE UNLESS STATED - IF IN DOUBT ASK



wydale
Wydale Plastics Ltd
 Cathole Bridge Rd,
 Crewkerne,
 Somerset,
 TA18 8RF
 Tel: 01460 73212
 Fax: 01460 77348

CUSTOMER:		Wydale Plastics Ltd	
PROJECT:		160 Litre Flat Tank	
DRAWN DATE:	DESIGNED BY:	CHECKED BY:	
07/01/2022	joshv		
SHEET 1 OF 1	REV	DRAWING NO:	
	A		

REV	ZONE	DESCRIPTION	DATE

THIS DRAWING AND THE INFORMATION THEREON IS THE SOLE PROPERTY OF WYDALE PLASTICS LTD AND SHALL NOT BE COPIED OR REPRODUCED WITHOUT THE CONSENT OF WYDALE PLASTICS LTD. DIMENSIONS ARE ALL IN MM UNLESS OTHERWISE STATED. WHILST EVERY EFFORT IS MADE TO ENSURE ACCURACY, ALL DIMENSIONS AND VOLUMES QUOTED ARE SUBJECT TO A +/- 2% VARIATION DUE TO THE MANUFACTURING PROCESS. PLEASE CALL FOR MORE INFORMATION IF REQUIRED.

