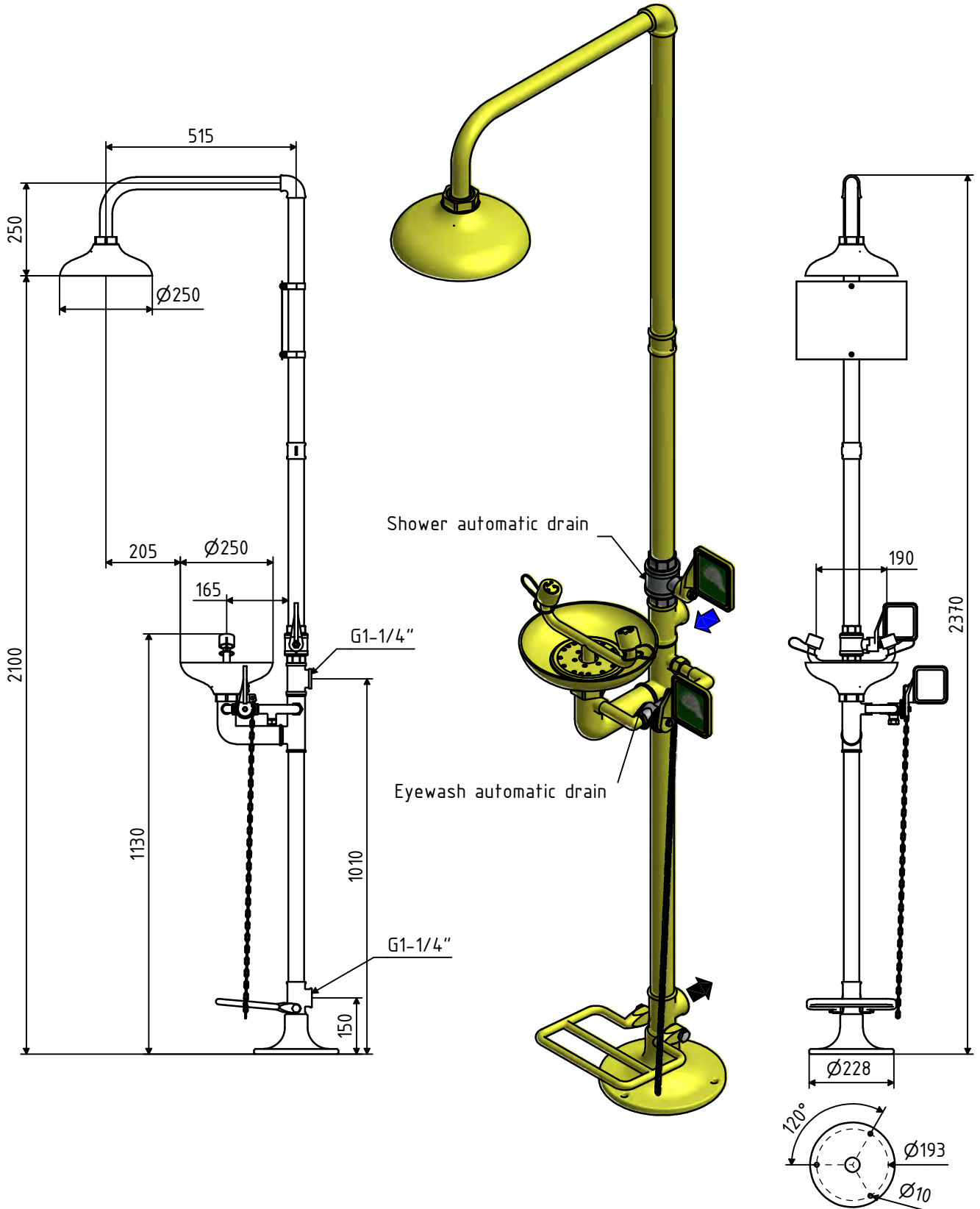


(1:10)



EMPTEEZY[®]
working for the environment

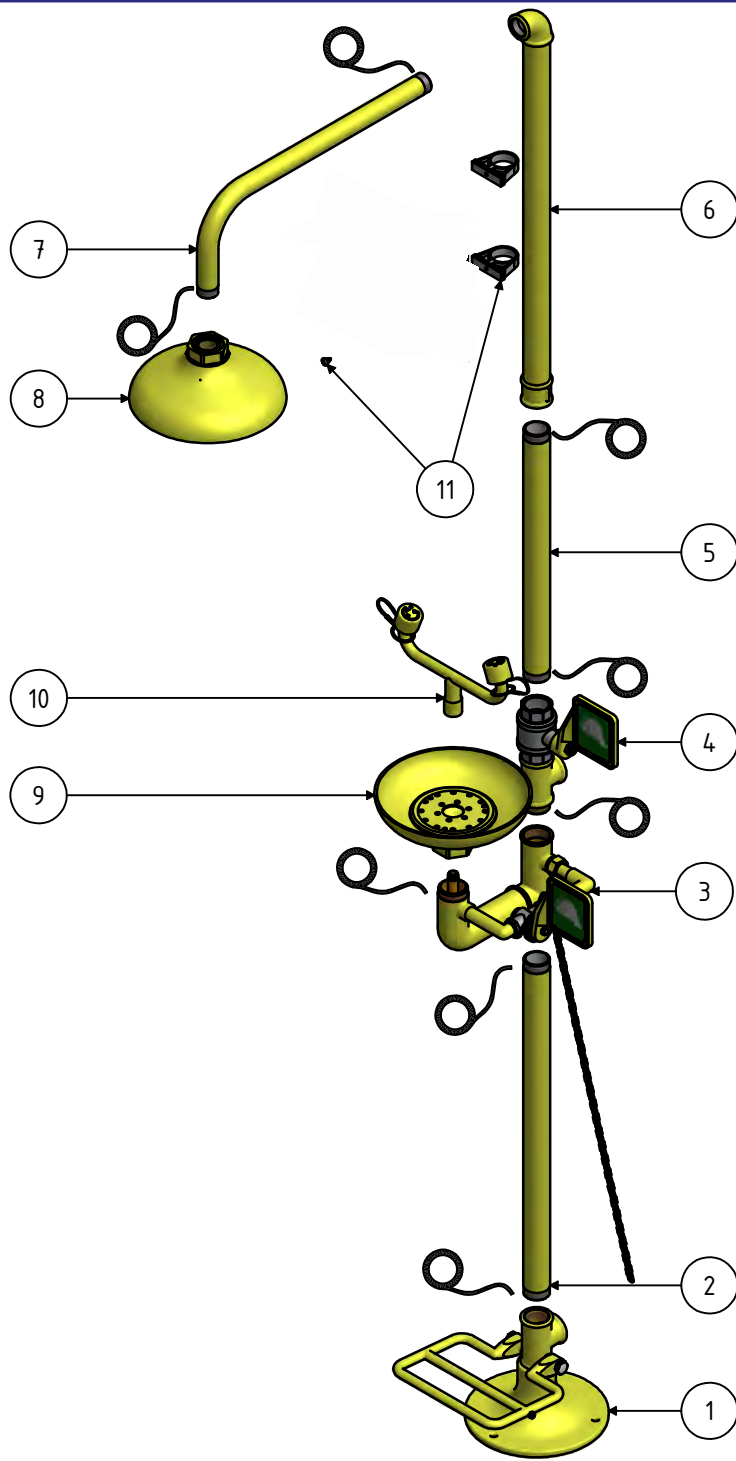
Empteezy, Houstoun Industrial Estate, 4 Muir Road, Livingston, West Lothian, Scotland. EH54 5DR.
• +44 (0)1506 430 309 • +44 (0)1506 441 466 • advice@empteezy.co.uk • www.empteezy.co.uk

ASSEMBLY DIMENSIONS $\pm 10\text{mm}$

SCALE 1:15

MODEL: **FSCS-SD**

SHOWER / EYEWASH FREEZE-PROOF, FLOOR MOUNTED, INDEPENDENT OPERATION, ABS SHOWER HEAD / BOWL



List of Parts

Element	Quantity	Model	Description
1	1	180035	SUPPORT BASE WITH PEDAL
2	1	864650	PIPE 1¼" x 650mm
3	1	180625	EYEWASH BLOCK ASSEMBLY OR FOR PEDAL ACTIVATOR - FLOW RATE 22lpm
4	1	180620	SHOWER VALVE ACTIVATION HANDLE
5	1	864480	PIPE 1¼" x 48mm
6	1	180210	PIPE WITH FLOW REGULATOR - FLOW RATE 125lpm
7	1	860605	SHOWER ARM ASSEMBLY
8	1	190100	ROCIADOR DUCHA AMARILLO ABS
9	1	190150	ABS PLASTIC SHOWER HEAD
10	1	190136	ABS PLASTIC BOWL
11	1	191007	EYEWASH ASSEMBLY

EMPTEEZY[®]
working for the environment

Empteezy, Houston Industrial Estate, 4 Muir Road, Livingston, West Lothian, Scotland. EH54 5DR.
• +44 (0)1506 430 309 • +44 (0)1506 441 466 • advice@empteezy.co.uk • www.empteezy.co.uk

ASSEMBLY DIMENSIONS ±10mm

SCALE 1:12

MODEL: **FSCS-SD**

SHOWER / EYEWASH FREEZE-PROOF, FLOOR MOUNTED, INDEPENDENT OPERATION, ABS SHOWER HEAD / BOWL