

Nestable Double IBC Spill Pallet

Technical Data

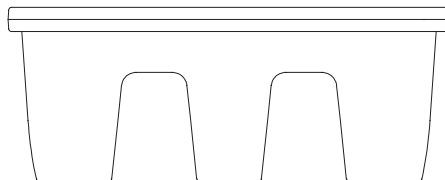
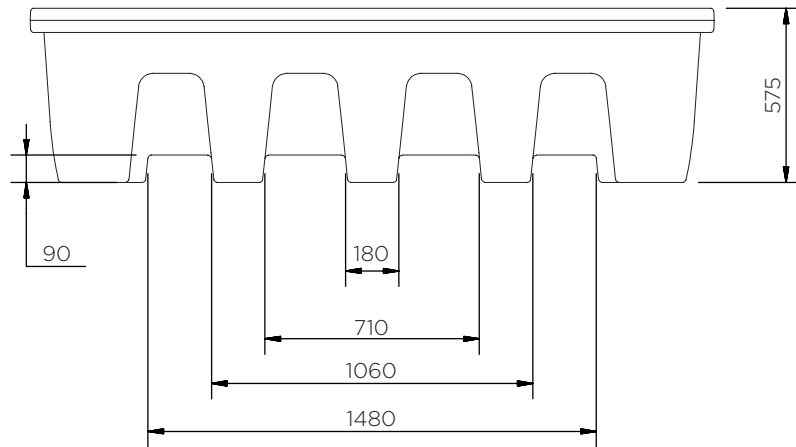
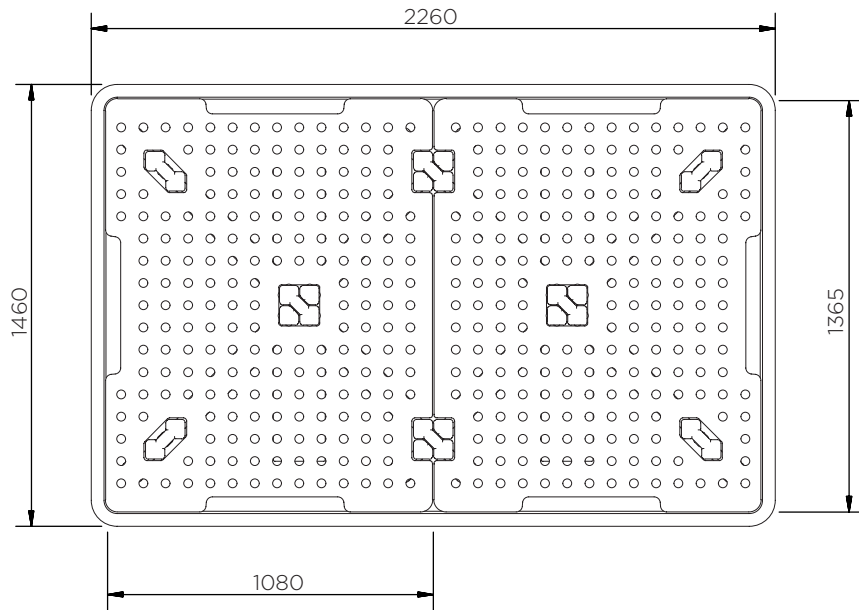


	Colour options	H x W x D (mm)	Platform (mm)	Weight (kg)	Capacity (l)	Max. load (kg)
SJ-520-XXX	● ●	575 x 2260 x 1465	90 x 1080 x 1365 (2)	116	1200	1500 per side

XXX = Colour options: 001: ● 002: ●

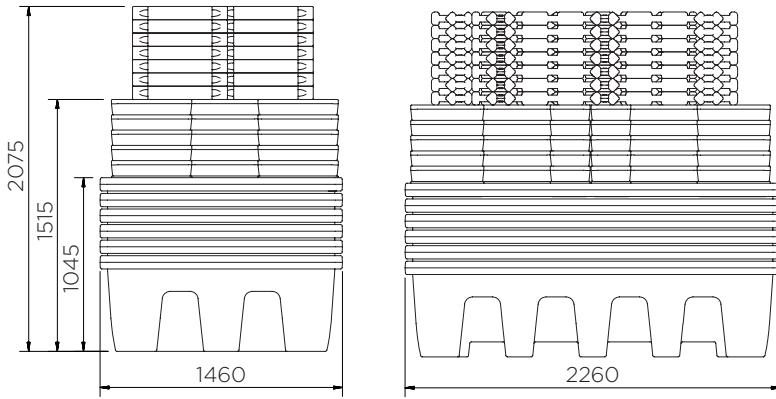
Nestable Double IBC Spill Pallet

Technical Data



Nestable Double IBC Spill Pallet

Technical Data



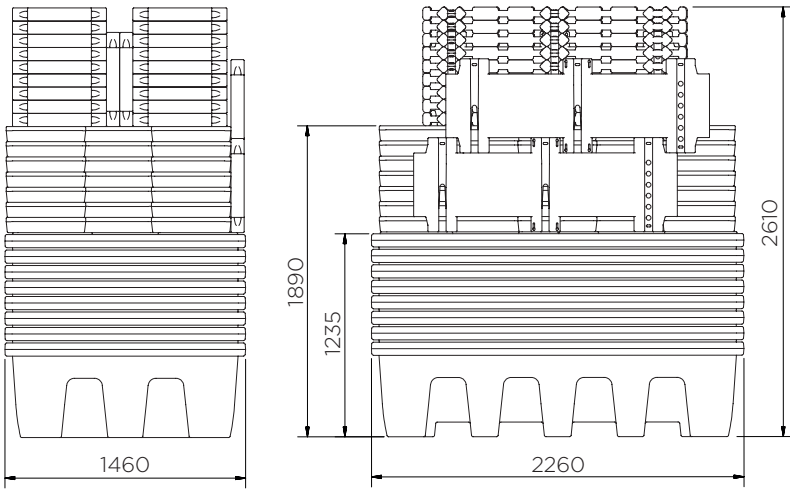
SJ-520-XXX

Pieces per pallet

20' container

6

24



SJ-520-XXX

Pieces per pallet

40' high cube container

13.6 m trailer

8

64

72

The information is to our best knowledge true and accurate but all recommendations or suggestions are made without guarantee.