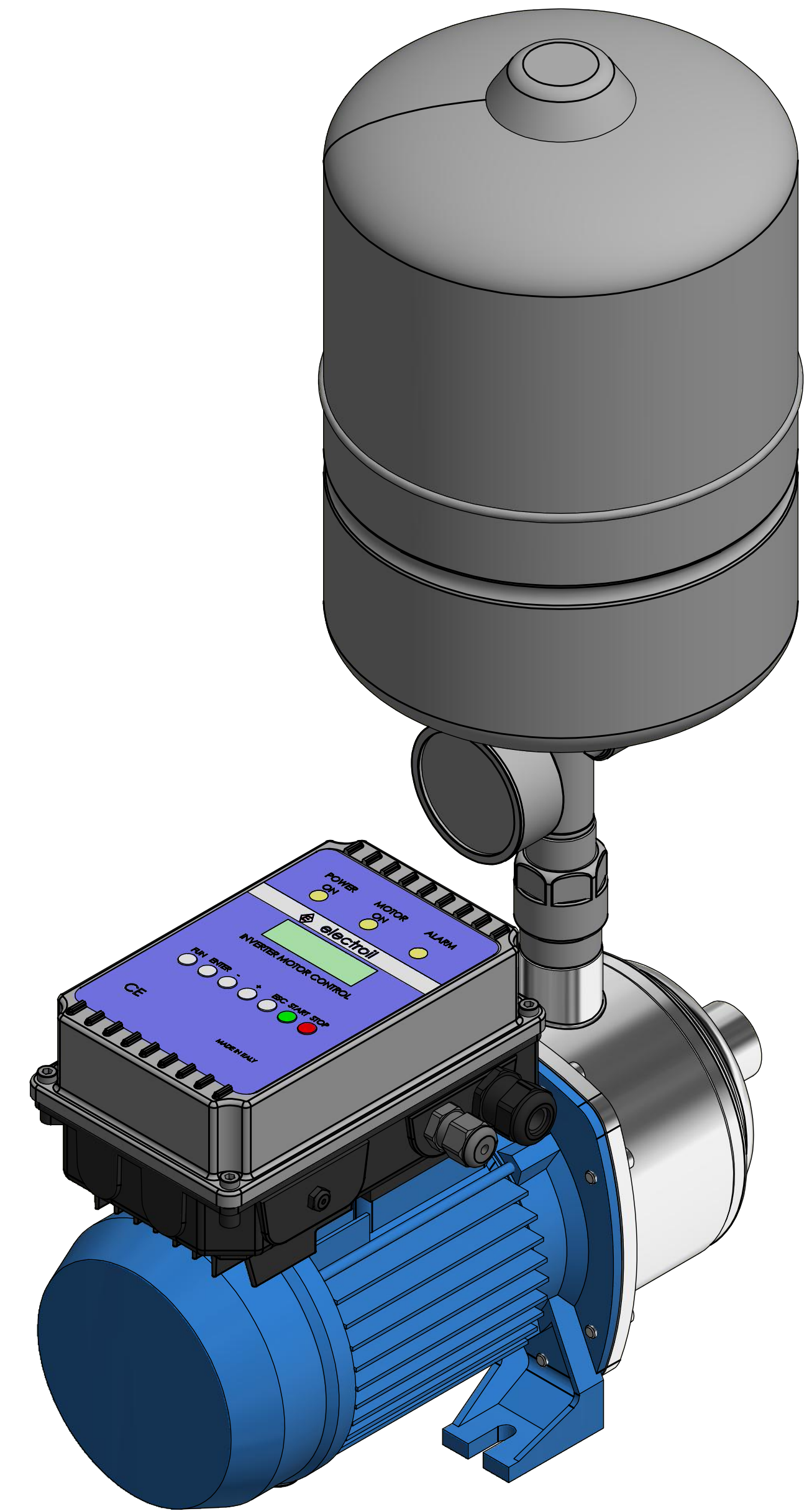
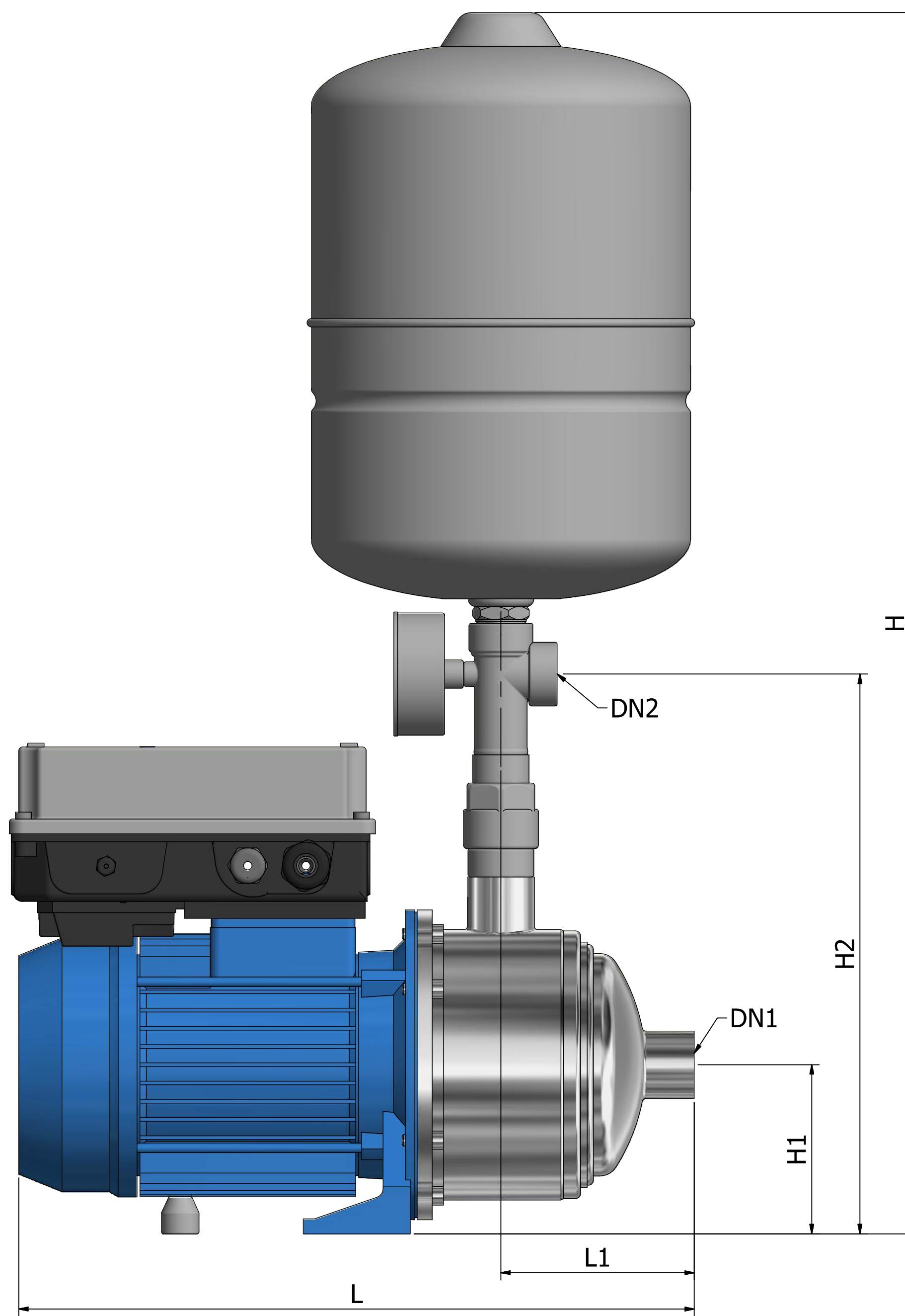
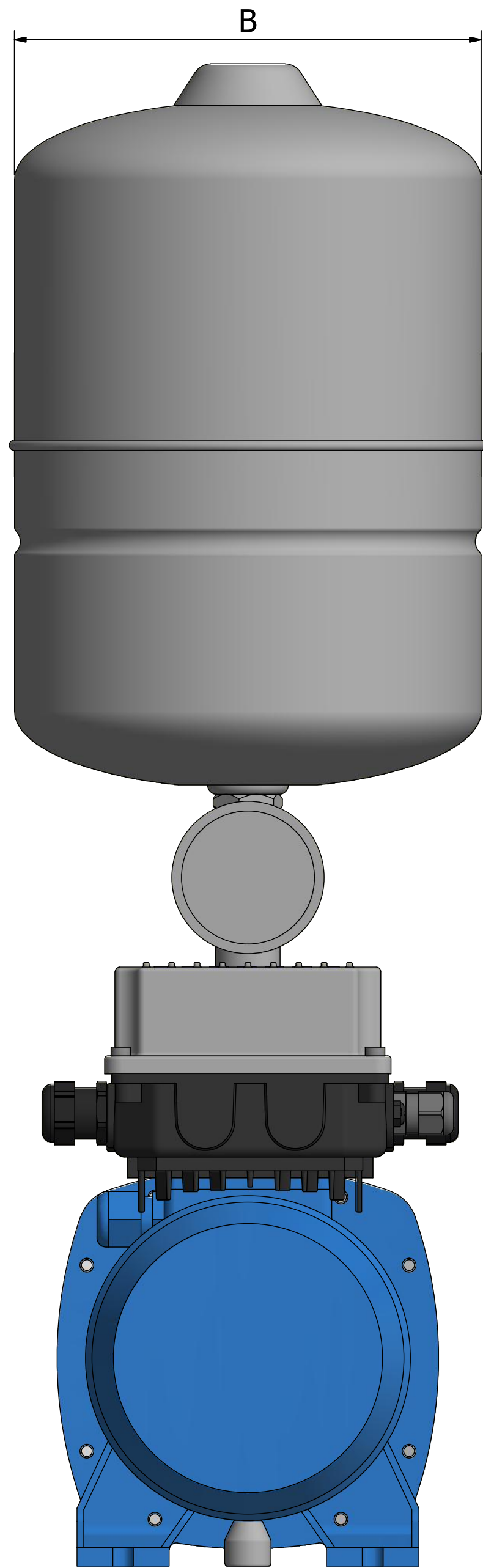


DIMENSIONS OF SINGLE PUMP UNITS						
MODEL REF	DN1	DN2	H	H1	H2	L
1MX3-2RS/2DPT	1"	1"	700	80	310	360
1MX3-5RS/2DPT	1"	1"	700	80	310	408
1MX3-6RS/2DPT	1"	1"	700	80	310	444
1MX3-7RS/2DPT	1"	1"	700	80	310	518
1MX3-8RS/2DPT	1"	1"	700	80	310	542



Rev	Date	Description						
THIRD ANGLE PROJECTION								
THIS DRAWING IS CONFIDENTIAL AND MAY NOT BE USED, COPIED OR DISCLOSED TO ANYONE WITHOUT THE PERMISSION OF D.P. & T.								
PRODUCT CODE								
PRODUCT DESCRIPTION		SINGLE SERIES						
Drawn By:	R.U.	Checked By:	C.W.	Approved By:	C.W.	REV	1	SHEET 1 OF 1
Drawn Date:	02/02/2021	Checked Date:	02/02/2021	Approved Date:	02/02/2021	SIZE	A3	SCALE 1:2