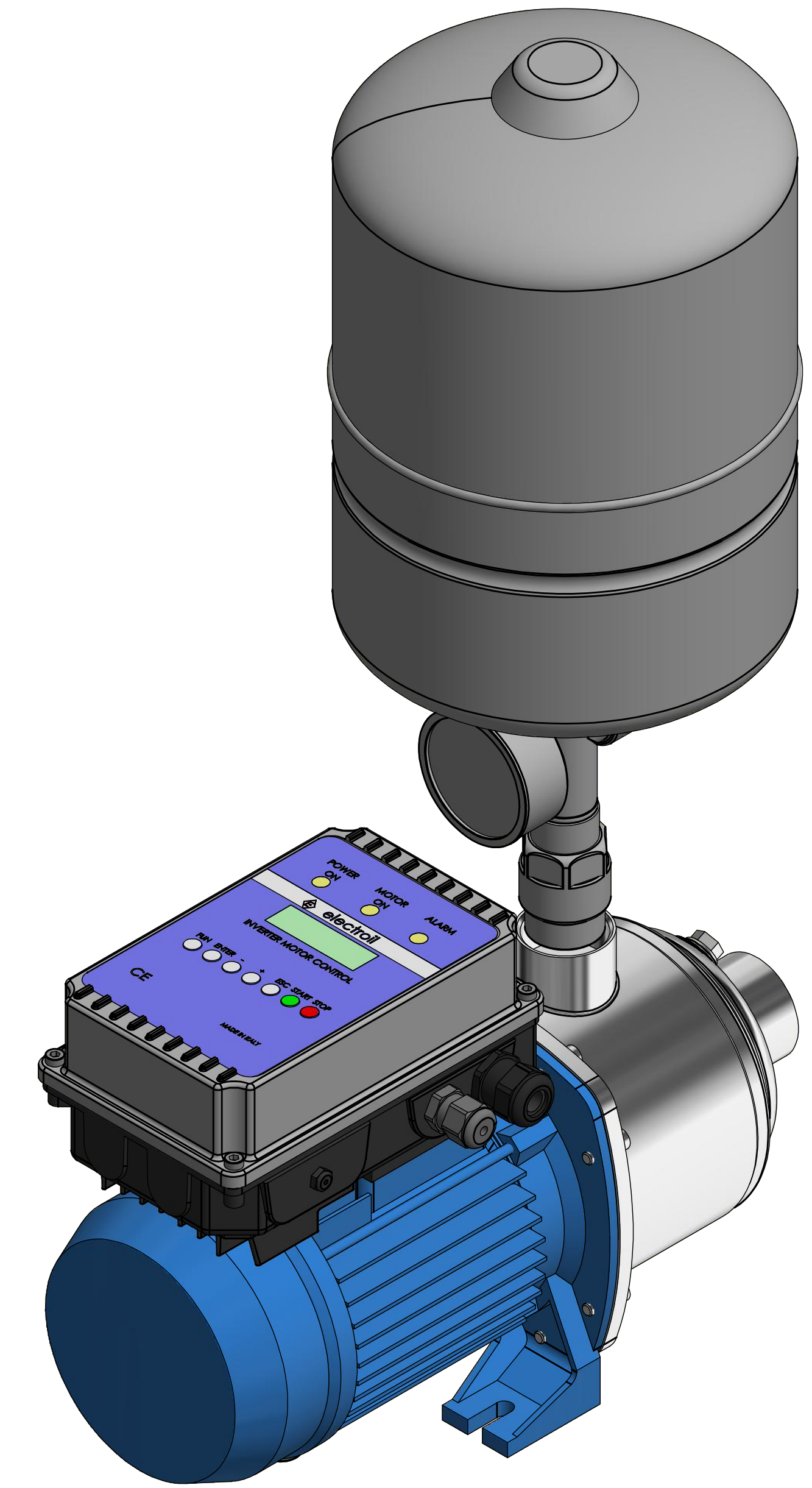
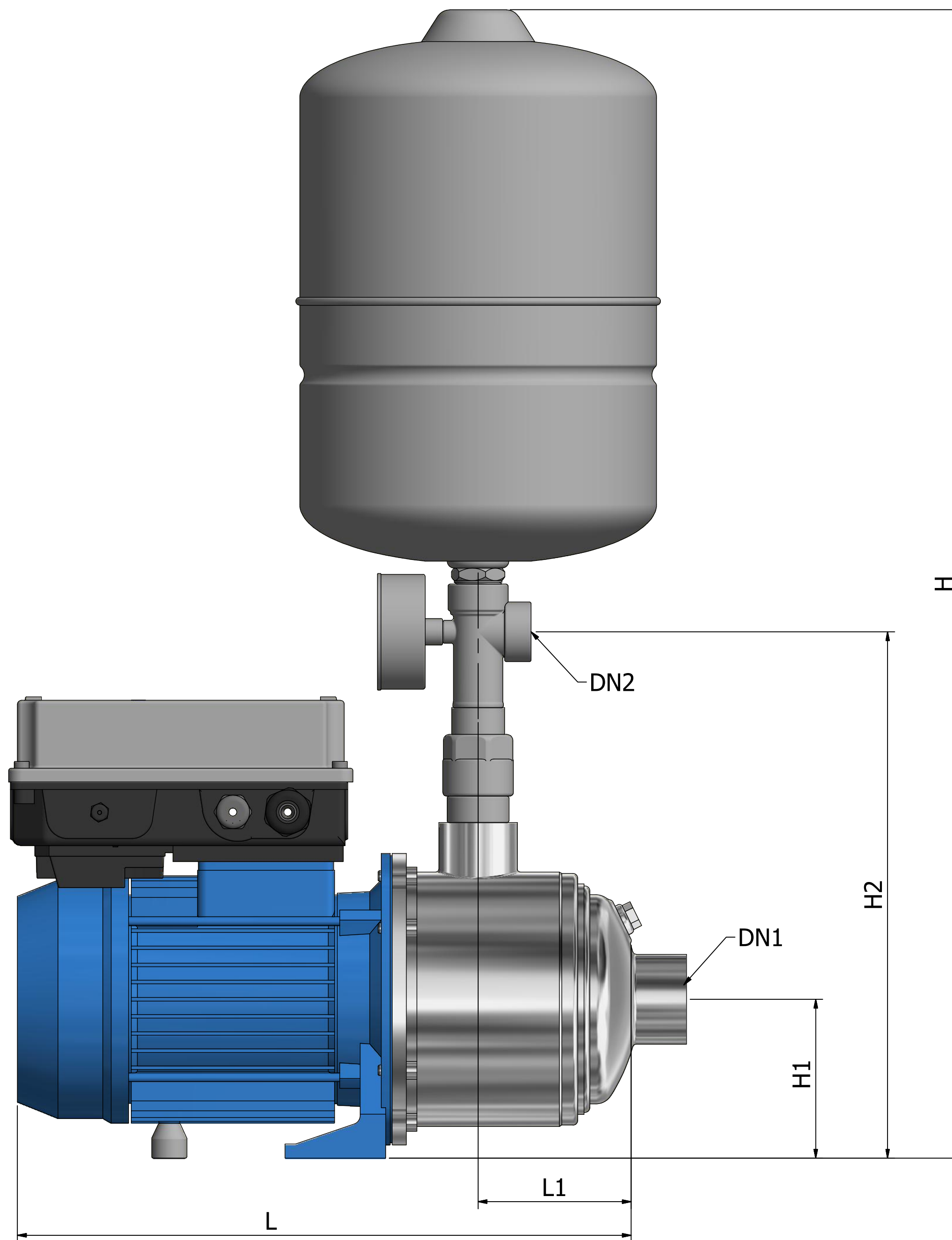


DIMENSIONS OF SINGLE PUMP UNITS						
MODEL REF	DN1	DN2	H	H1	H2	L
1MX10-2RS/2DPT	1.1/2"	1.1/4"	700	80	310	379
1MX10-5RS/2DPT	1.1/2"	1.1/4"	700	80	310	441
1MX10-6RS/2DPT	1.1/2"	1.1/4"	700	80	310	472
1MX10-7RS/2DPT	1.1/2"	1.1/4"	700	80	310	502
1MX10-8RS/2DPT	1.1/2"	1.1/4"	700	80	310	532



Rev	Date	Description						
THIRD ANGLE PROJECTION								
THIS DRAWING IS CONFIDENTIAL AND MAY NOT BE USED, COPIED OR DISCLOSED TO ANYONE WITHOUT THE PERMISSION OF D.P. & T.								
PRODUCT CODE		PRODUCT DESCRIPTION SINGLE SERIES						
Drawn By:	R.U.	Checked By:	C.W.	Approved By:	C.W.	REV	1	SHEET 1 OF 1
Drawn Date:	02/02/2021	Checked Date:	02/02/2021	Approved Date:	02/02/2021	SIZE	A3	SCALE 1:2