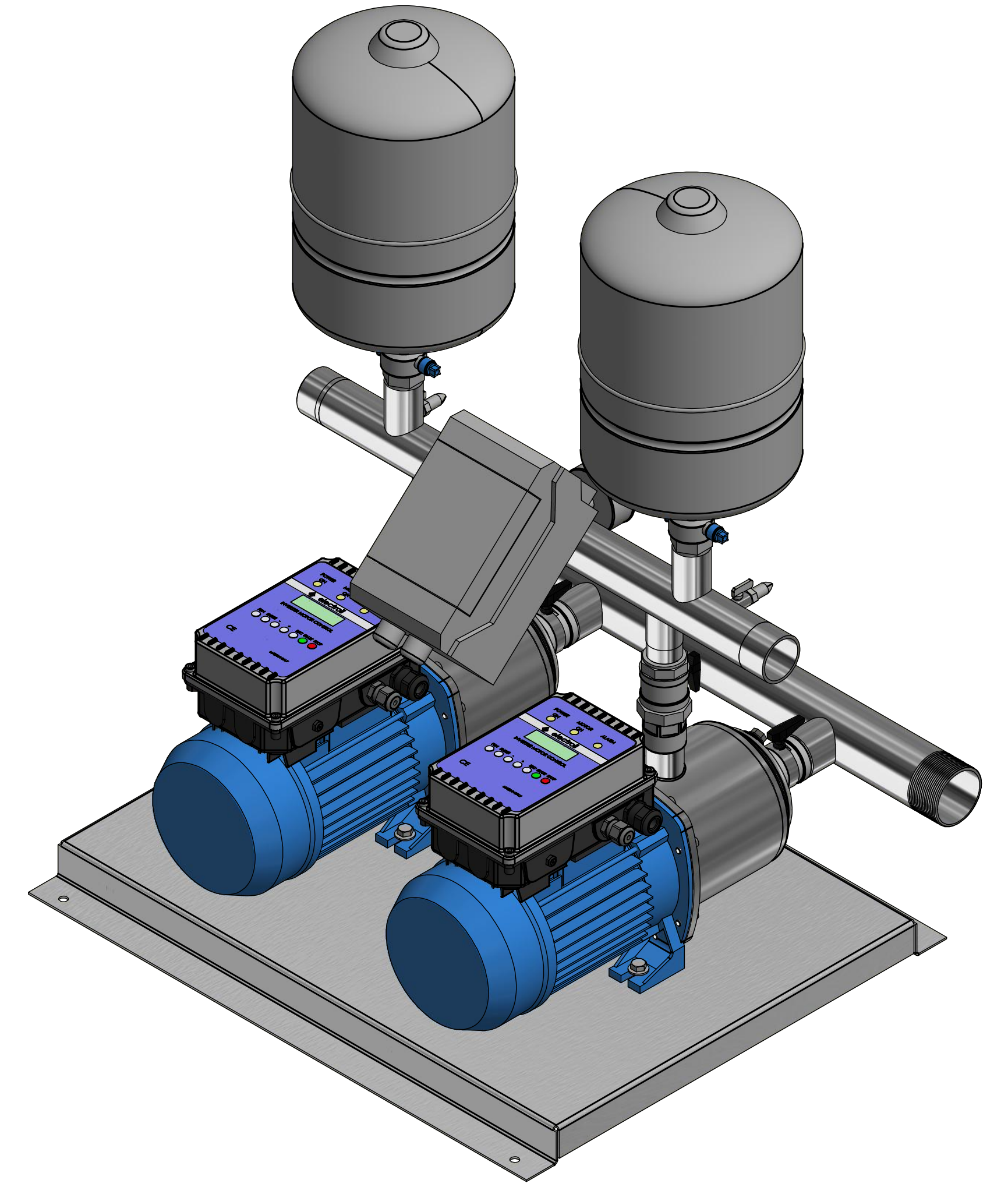
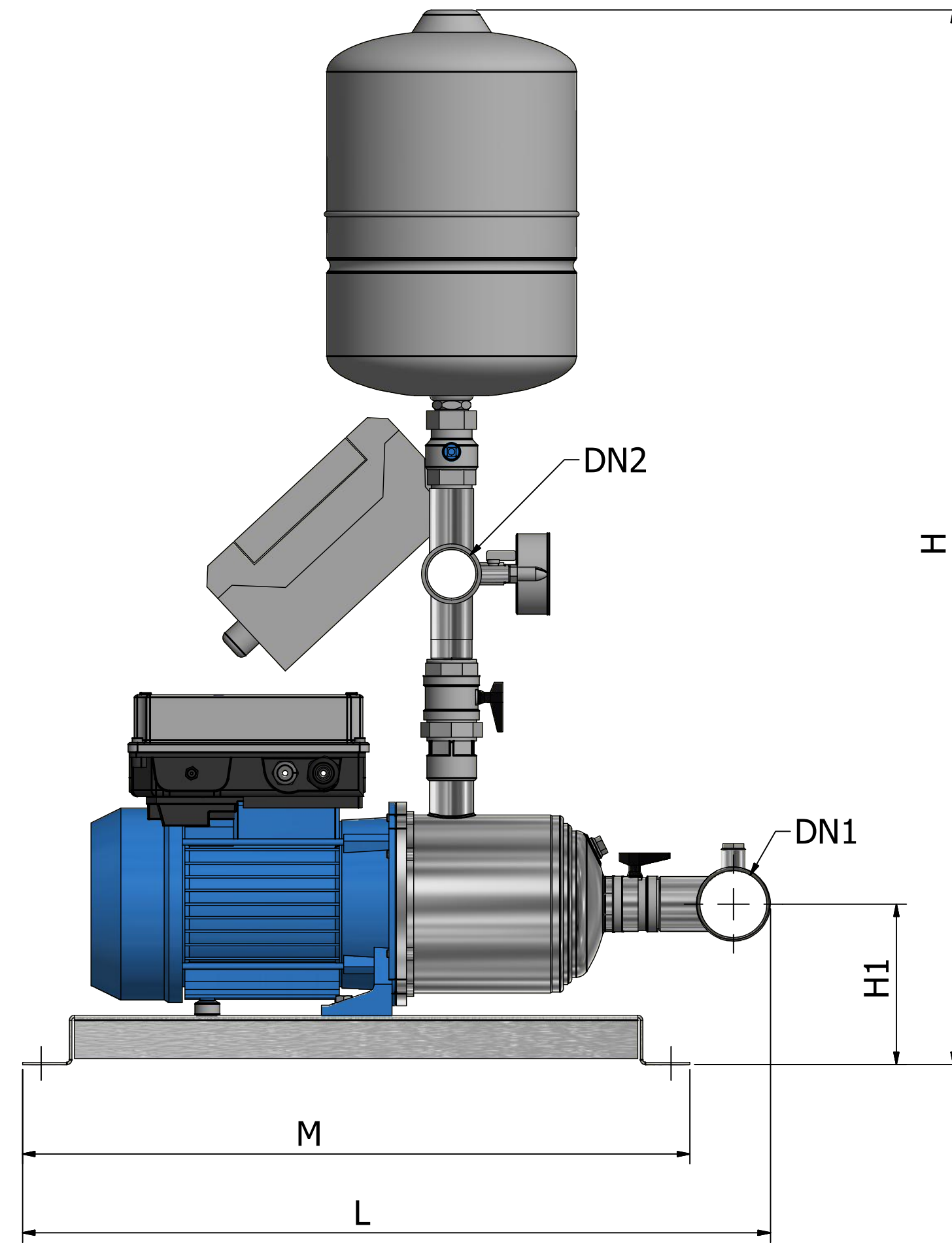
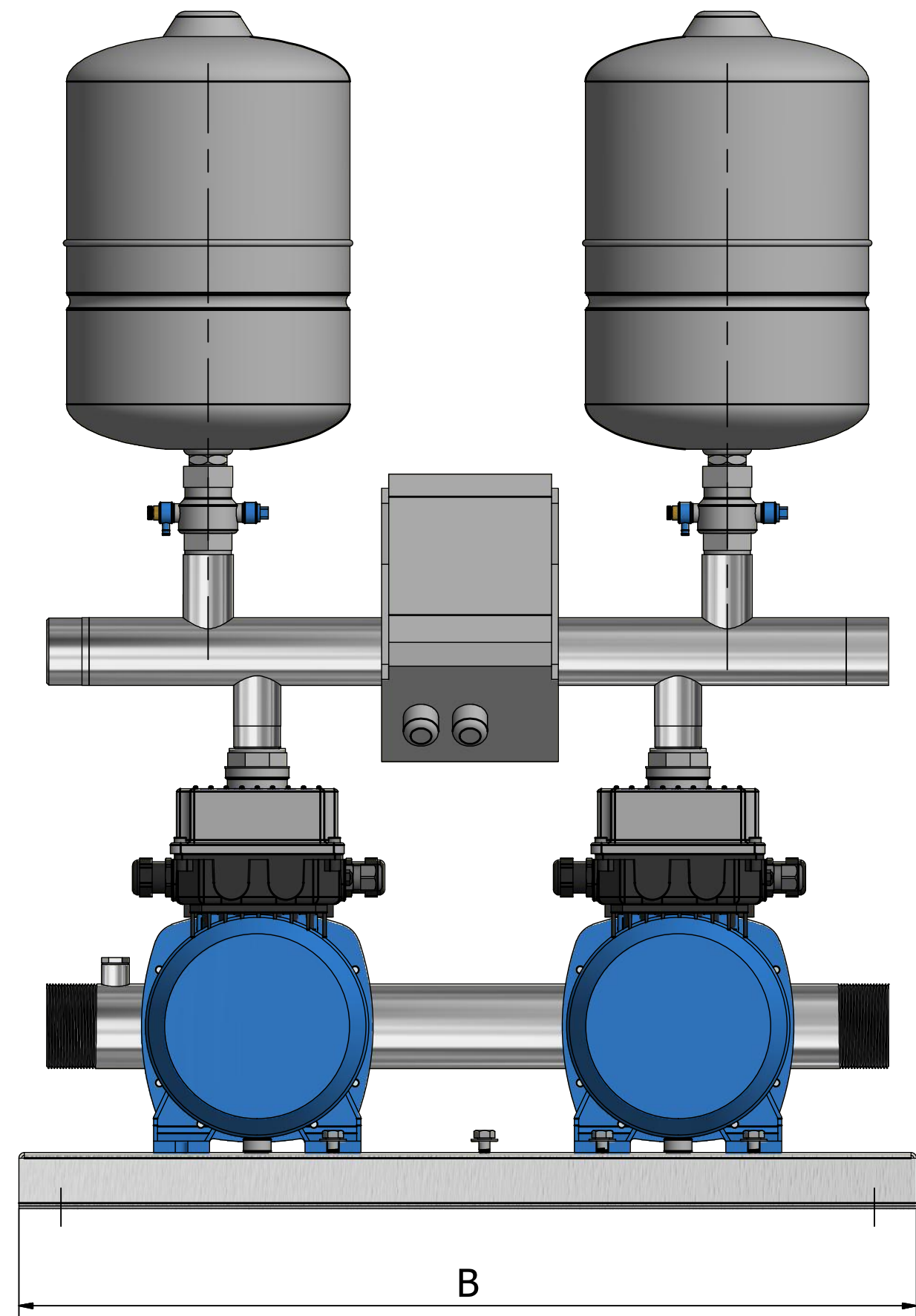


DIMENSIONS OF TWIN PUMP UNITS							
MODEL REF	DN1	DN2	B	H	H1	L	M
2MX5-2RS/8DPT	2"	1.1/4"	640	900	135	608	540
2MX5-5RS/8DPT	2"	1.1/4"	640	900	135	656	540
2MX5-6RS/8DPT	2"	1.1/4"	640	900	135	680	540
2MX5-7RS/8DPT	2"	1.1/4"	640	900	135	704	540
2MX5-8RS/8DPT	2"	1.1/4"	640	900	135	728	540



Rev	Date	Description
THIRD ANGLE PROJECTION		
THIS DRAWING IS CONFIDENTIAL AND MAY NOT BE USED, COPIED OR DISCLOSED TO ANYONE WITHOUT THE PERMISSION OF D.P. & T.		PRODUCT DESCRIPTION TWIN SERIES
Drawn By:	R.U.	Checked By: C.W.
Approved By:	C.W.	REV 1
Drawn Date:	01/02/2021	Checked Date: 01/02/2021
Approved Date:	01/02/2021	SIZE A3
		SHEET 1 OF 1
		SCALE 1:4