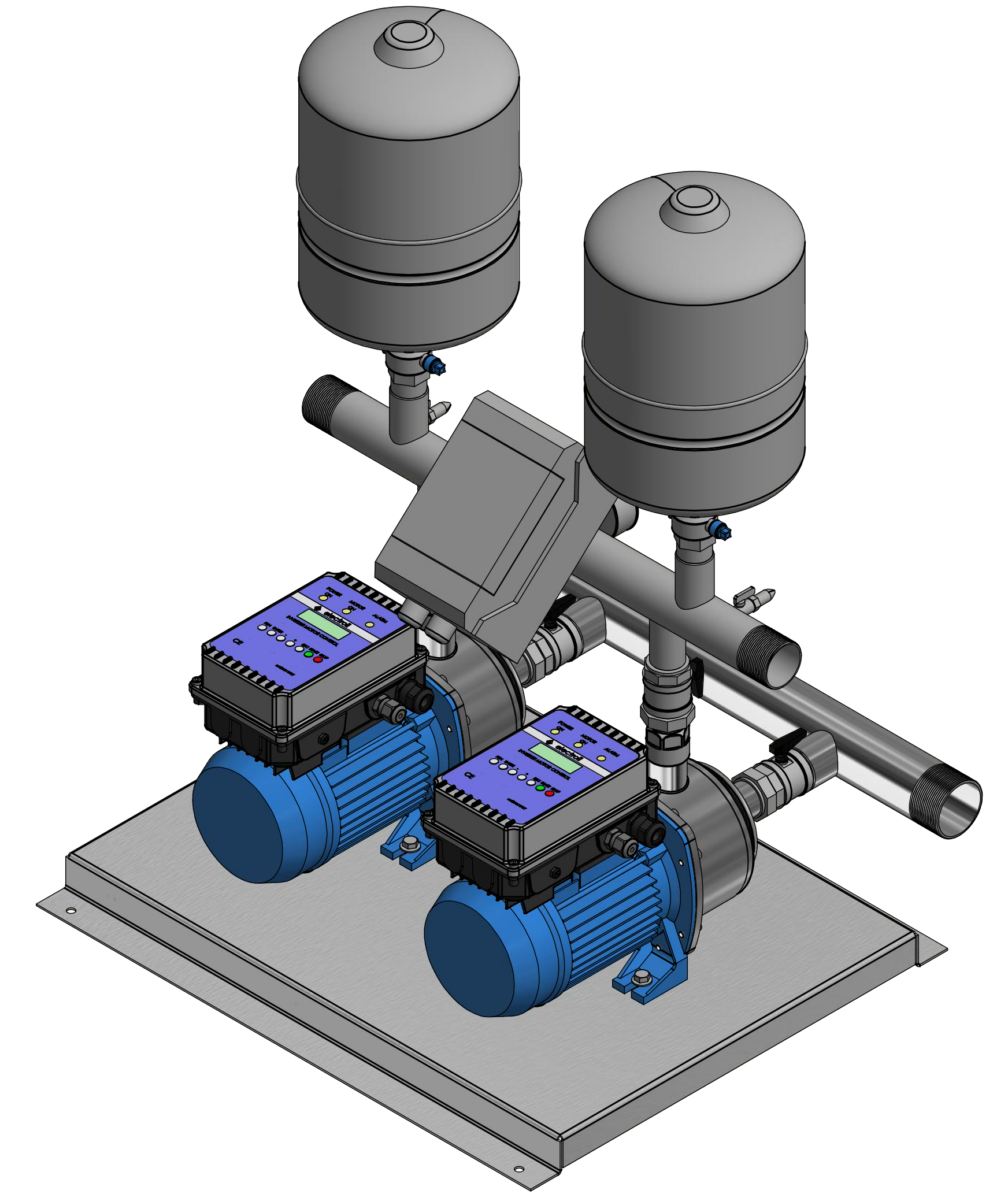
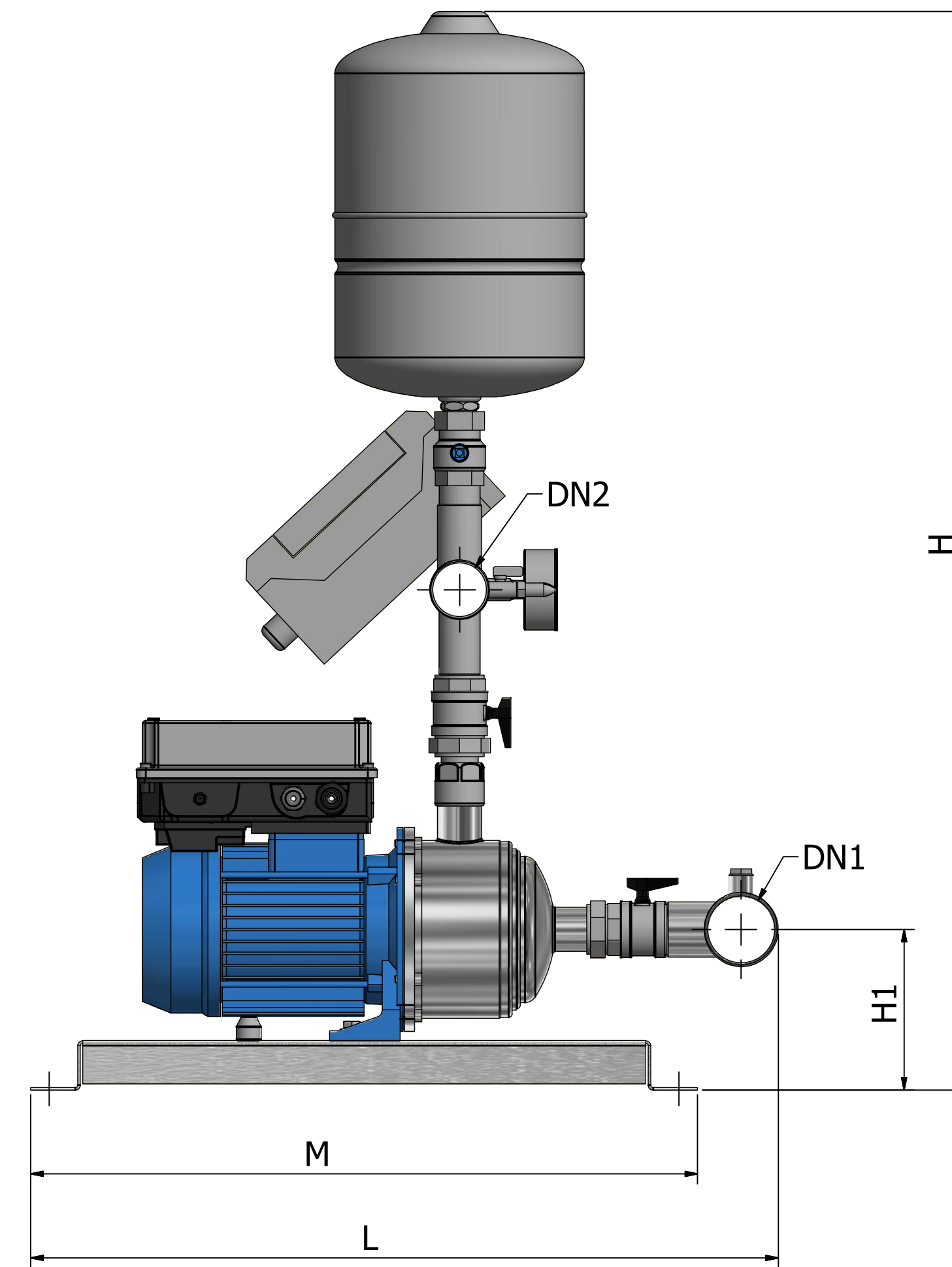
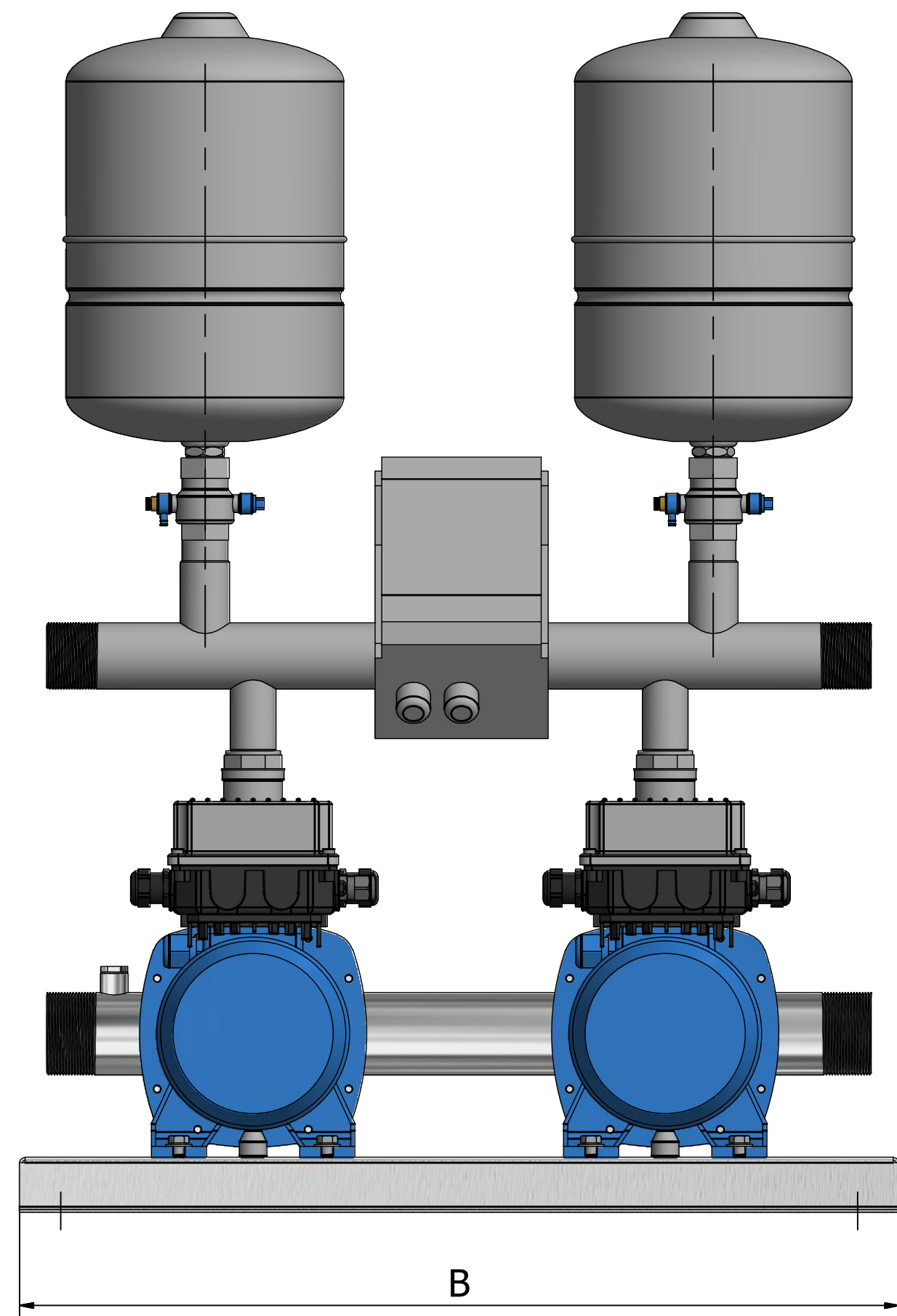
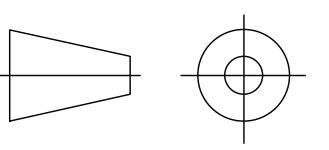



DIMENSIONS OF TWIN PUMP UNITS							
MODEL REF	DN1	DN2	B	H	H1	L	M
2MX3-2RS/8DPT	2"	1.1/4"	640	900	135	608	540
2MX3-5RS/8DPT	2"	1.1/4"	640	900	135	656	540
2MX3-6RS/8DPT	2"	1.1/4"	640	900	135	680	540
2MX3-7RS/8DPT	2"	1.1/4"	640	900	135	704	540
2MX3-8RS/8DPT	2"	1.1/4"	640	900	135	728	540



Rev	Date	Description						
THIRD ANGLE PROJECTION								
<p>THIS DRAWING IS CONFIDENTIAL AND MAY NOT BE USED, COPIED OR DISCLOSED TO ANYONE WITHOUT THE PERMISSION OF D.P. &amp; T.</p>								
PRODUCT CODE								
PRODUCT DESCRIPTION		TWIN SERIES						
Drawn By:	R.U.	Checked By:	C.W.	Approved By:	C.W.	REV	1	SHEET 1 OF 1
Drawn Date:	01/02/2021	Checked Date:	01/02/2021	Approved Date:	01/02/2021	SIZE	A3	SCALE 1:4