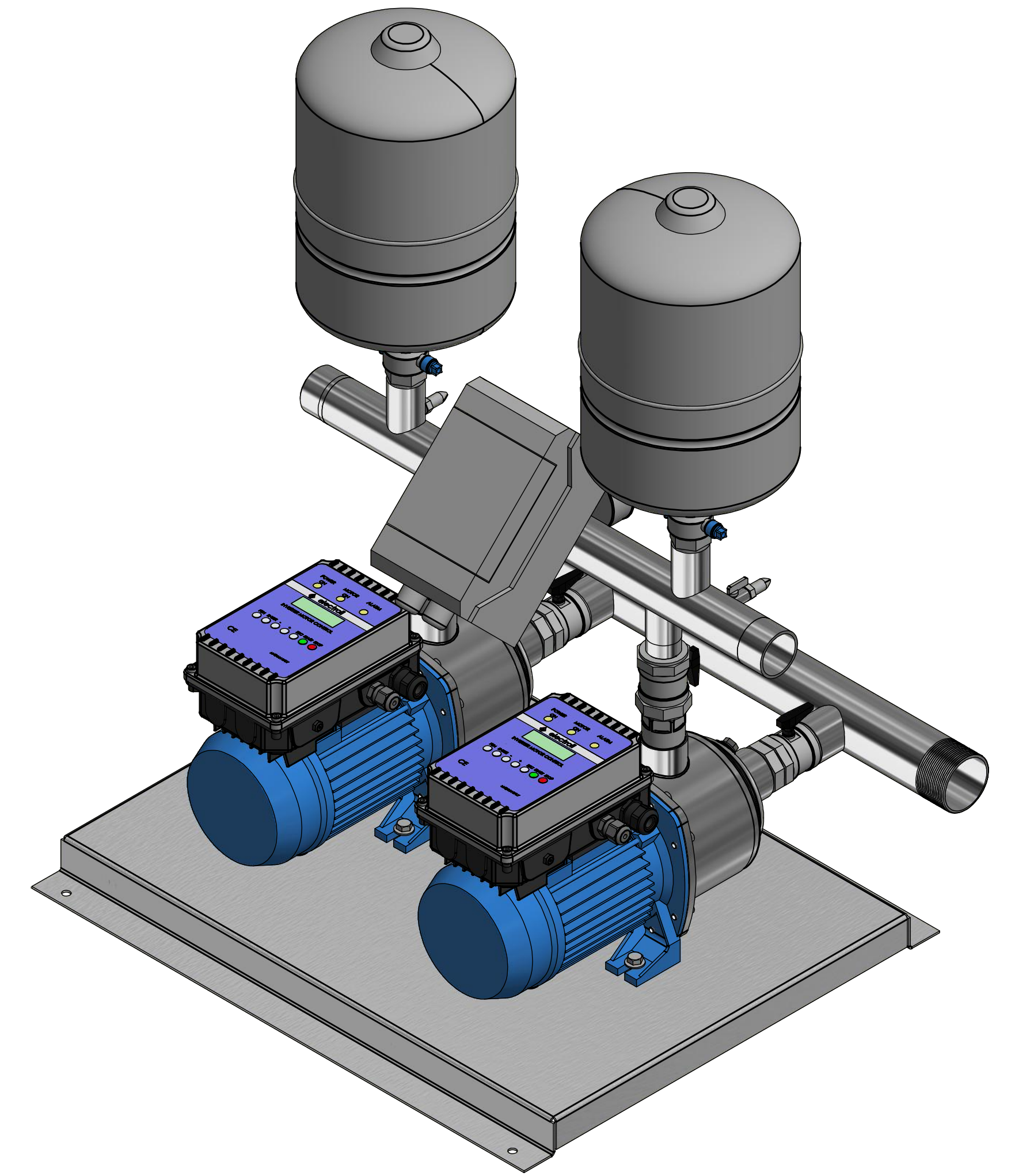
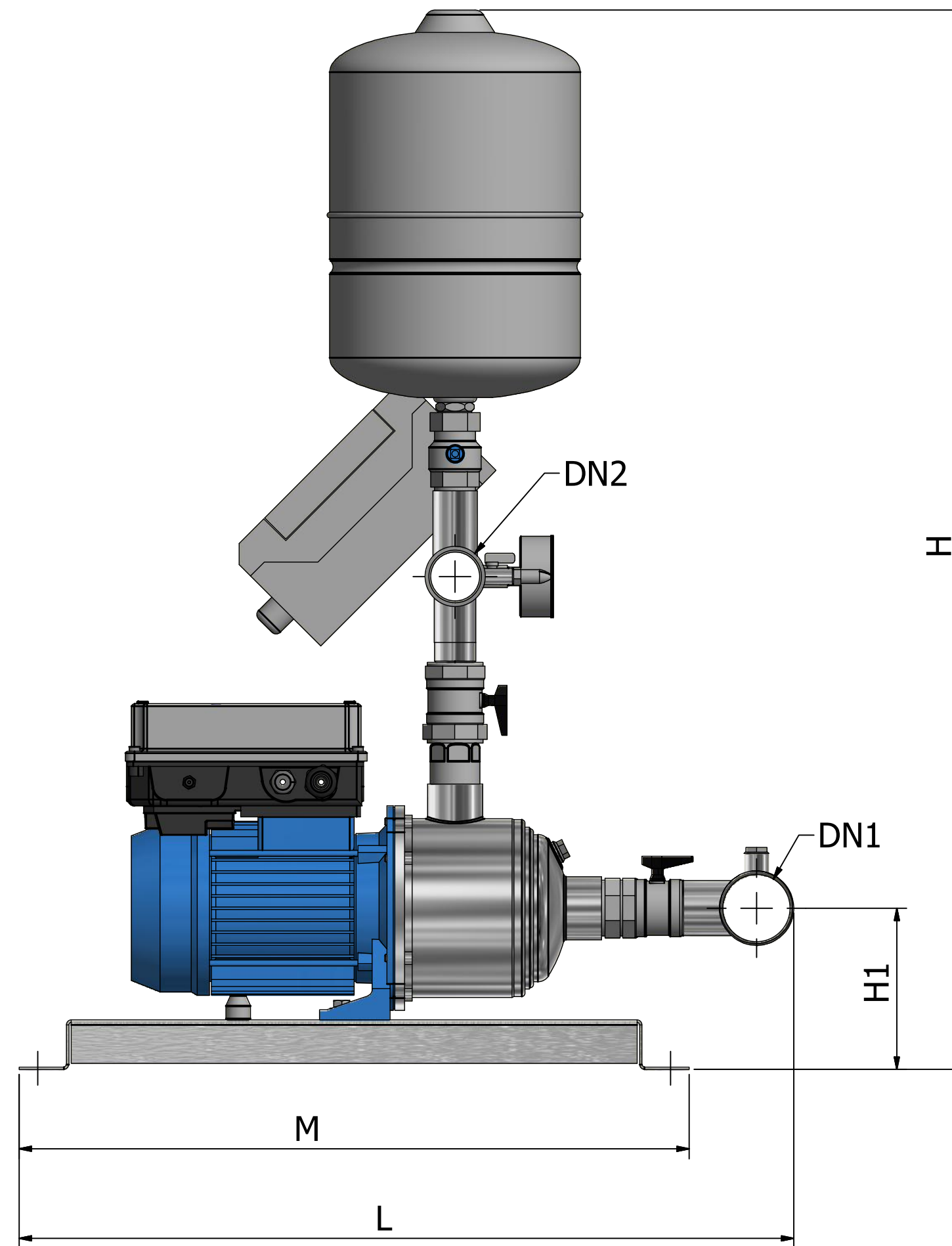
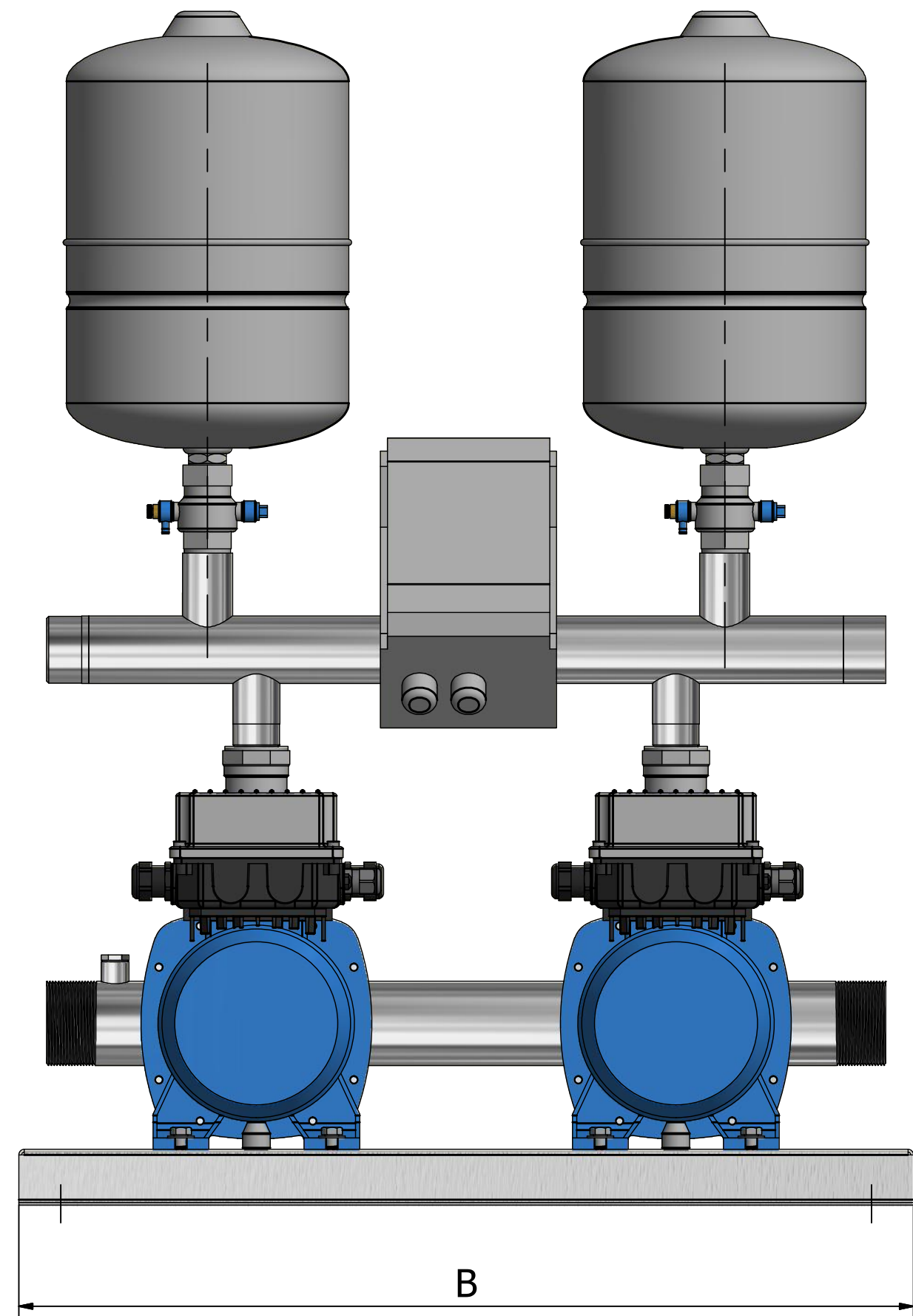
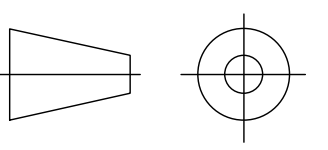



DIMENSIONS OF TWIN PUMP UNITS							
MODEL REF	DN1	DN2	B	H	H1	L	M
2MX10-2RS/8DPT	2.1/2"	2"	640	950	135	627	540
2MX10-5RS/8DPT	2.1/2"	2"	640	950	135	689	540
2MX10-6RS/8DPT	2.1/2"	2"	640	950	135	708	540
2MX10-7RS/8DPT	2.1/2"	2"	640	950	135	722	540
2MX10-8RS/8DPT	2.1/2"	2"	640	950	135	739	540



Rev	Date	Description
THIRD ANGLE PROJECTION		
<p>THIS DRAWING IS CONFIDENTIAL AND MAY NOT BE USED, COPIED OR DISCLOSED TO ANYONE WITHOUT THE PERMISSION OF D.P. & T.</p>		
PRODUCT CODE		
TWIN SERIES		<p>PRODUCT DESCRIPTION</p> <p>TWIN SERIES</p>
Drawn By:	R.U.	Checked By: C.W.
Approved By:	C.W.	REV 1
Drawn Date:	01/02/2021	Checked Date: 01/02/2021
Approved Date:	01/02/2021	SIZE A3
SHEET 1 OF 1		SCALE 1:4