

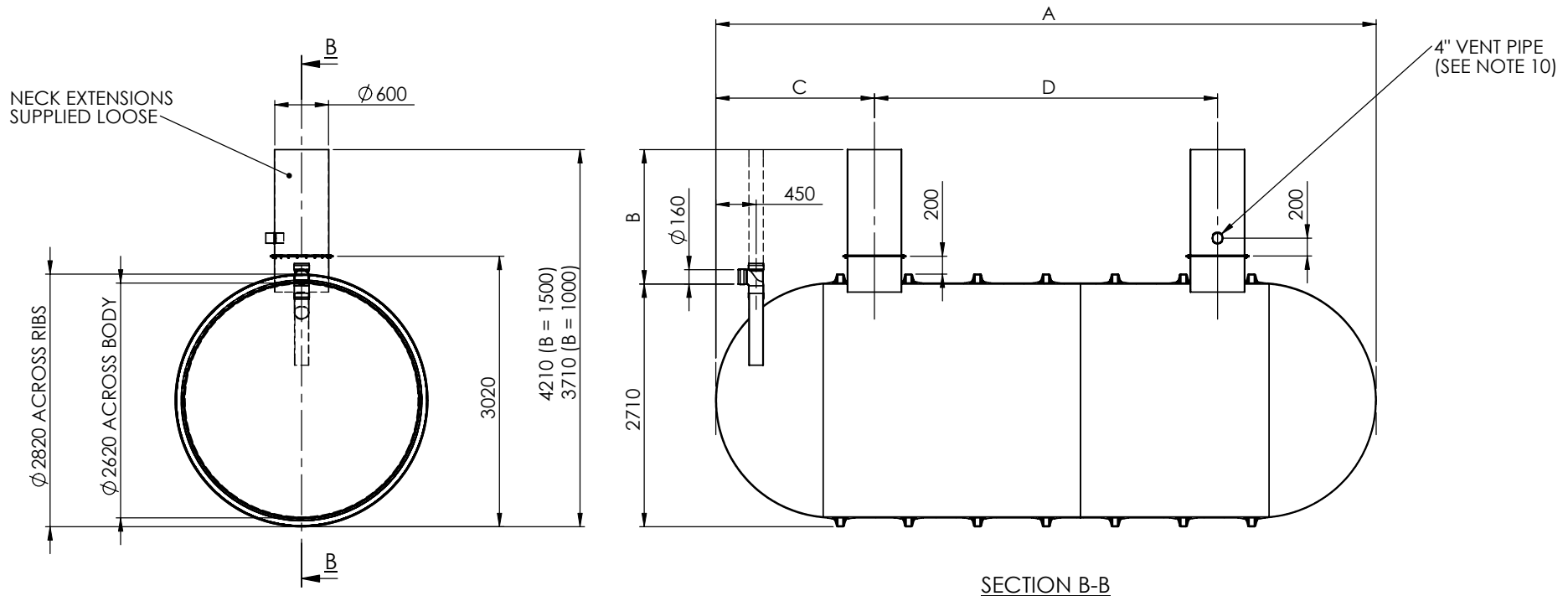
SECTION A-A

Nominal Volume (Litres)	Nominal Volume (Gallons)	Weight (Kg)	Overall Length A	Inlet invert B = 1.5 Metres	Inlet Invert B = 1.0 Metres	Dimension to neck C
18,000	3,960	646	4,317	1,500	1,000	2,547
22,000	4,889	828	5,073	1,500	1,000	3,302
26,000	5,720	981	5,837	1,500	1,000	3,302

NOTES:-

- CESSPOOLS AND SILAGE TANKS MUST NOT DISCHARGE IN TO THE ENVIRONMENT AND MUST BE EMPTIED WHEN FULL.
- THE TANK IS FITTED WITH A 160MM INLET SOCKET. PIPE ADAPTORS CAN BE PROVIDED FOR AN ALTERNATIVE SIZE OF 110mm. THESE ARE FITTED EXTERNALLY TO THE TANK.
- THIS DRAWING IS PROVIDED TO SUPPLY DIMENSIONAL INFORMATION ONLY.
- THE UNIT MUST BE INSTALLED WITH A CONCRETE SURROUND. PLEASE SEE THE DETAILED INSTALLATION PROCEDURE SUPPLIED WITH EACH UNIT.
- THE UNIT IS SUPPLIED WITH LOOSE, BOLT ON TANK SHAFTS TO SUIT EITHER 1 OR 1.5 METRE INVERT (SPECIFY WITH ORDER). THEY MUST BE FITTED ON SITE AS PART OF THE INSTALLATION AND CAN BE TRIMMED TO SUIT THE EXACT SIZE OF INVERT.
- THE UNIT IS PROVIDED WITH 1, 2 OR 3 SHAFTS, DEPENDING ON IT'S VOLUME. TO AID DE-SLUDGING IT IS RECOMMENDED THAT 2 SHAFTS ARE SELECTED FOR TANKS WITH CAPACITIES OF 34m<sup>3</sup> AND ABOVE. 3 SHAFTS SHOULD BE FITTED TO UNITS OF ABOVE 54m<sup>3</sup> (SPECIFY WITH ORDER). ADDITIONAL SHAFTS CAN BE FITTED. UNITS SHOULD NOT BE INSTALLED DEEPER THAN NECESSARY, NOR DEEPER THAN THE INVERT SPECIFIED FOR THE UNIT SUPPLIED.
- PEDESTRIAN DUTY COVER AND FRAMES TO FIT DIAMETER 600mm NECKS, ARE AVAILABLE FOR PURCHASE.
- THE WEIGHTS GIVEN ARE FOR HANDLING PURPOSES ONLY AND EXCLUDE THE BOLT ON SHAFTS.
- THE INLET PIPE SHOULD BE EXTENDED TO GROUND LEVEL. DIAMETER 450mm ACCESS COVERS ARE FOR PURCHASE TO ALLOW FOR RODDING ACCESS.
- SINGLE NECK TANKS SERVING SINGLE PROPERTIES SHOULD BE VENTED, USING THE SOIL STACK. LARGER TANKS SERVING MULTIPLE PROPERTIES SHOULD HAVE A VENT FITTED TO THE NECK TO ENABLE LOCALISED HIGH LEVEL VENTING.
- WE RECOMMEND THE PURCHASE AND USE OF A HIGH LEVEL ALARM WITH THESE TANKS.

Please Check with Environmental Treatment Systems Limited For The Latest Issue Of This Drawing				Material : Various	Tolerance (unless stated) :	Drawing : DS0963P - Ø2.6 CP - SL	Page 1 of 3
Issue	Date	Drawn by	Approved by	Finish :	Thickness : n/a		
001	04.11.08	M.H.		Weight : 980.96 Kg	Surface Area : m <sup>2</sup>	SINGLE NECK CESSPOOL / SILAGE TANK	
002	27.02.09	M.H.		Modelled By : Name			
22m <sup>3</sup> AND 59m <sup>3</sup> TANKS ADDED							
All Dimensions In mm		Scale: Do Not Scale		 Third Angle Projection		Kingspan Environmental reserve the right to alter the details of this drawing without prior notice. This drawing is copyright and may not be reproduced or used without the written permission of Kingspan Environmental	
R:\Engineering\Drawing Data\02 - Sales Drawings\DS\DS - 09\DS0963P - Ø2.6 CP - SL							



Nominal Volume (Litres)	Nominal Volume (Gallons)	Weight (Kg)	Overall Length A	Inlet Invert B = 1.5 Metres	Inlet Invert B = 1.0 Metres	Dimension to neck C	Dimension between necks D
34,000	7,480	1,315	7,376	1,500	1,000	1,772	3,833
38,000	8,360	1,484	8,150	1,500	1,000	1,772	4,606
46,000	10,120	1,888	9,684	1,500	1,000	2,536	4,612

NOTES:-

- CESSPOOLS AND SILAGE TANKS MUST NOT DISCHARGE INTO THE ENVIRONMENT AND MUST BE EMPTIED WHEN FULL.
- THE TANK IS FITTED WITH A 160MM INLET SOCKET. PIPE ADAPTORS CAN BE PROVIDED FOR AN ALTERNATIVE SIZE OF 110mm. THESE ARE FITTED EXTERNALLY TO THE TANK.
- THIS DRAWING IS PROVIDED TO SUPPLY DIMENSIONAL INFORMATION ONLY.
- THE UNIT MUST BE INSTALLED WITH A CONCRETE SURROUND. PLEASE SEE THE DETAILED INSTALLATION PROCEDURE SUPPLIED WITH EACH UNIT.
- THE UNIT IS SUPPLIED WITH LOOSE BOLT ON TANK SHAFTS TO SUIT EITHER 1 OR 1.5 METRE INVERT (SPECIFY WITH ORDER). THEY MUST BE FITTED ON SITE AS PART OF THE INSTALLATION AND CAN BE TRIMMED TO SUIT THE EXACT SIZE OF INVERT.
- THE UNIT IS PROVIDED WITH 1, 2 OR 3 SHAFTS, DEPENDING ON ITS VOLUME. TO AID DE-SLUDGING IT IS RECOMMENDED THAT 2 SHAFTS ARE SELECTED FOR TANKS WITH CAPACITIES OF 34m<sup>3</sup> AND ABOVE. 3 SHAFTS SHOULD BE FITTED TO UNITS OF ABOVE 54m<sup>3</sup> (SPECIFY WITH ORDER). ADDITIONAL SHAFTS CAN BE FITTED. UNITS SHOULD NOT BE INSTALLED DEEPER THAN NECESSARY, NOR DEEPER THAN THE INVERT SPECIFIED FOR THE UNIT SUPPLIED.
- PEDESTRIAN DUTY COVER AND FRAMES TO FIT DIAMETER 600mm NECKS, ARE AVAILABLE FOR PURCHASE.
- THE WEIGHTS GIVEN ARE FOR HANDLING PURPOSES ONLY AND EXCLUDE THE BOLT ON SHAFTS.
- THE INLET PIPE SHOULD BE EXTENDED TO GROUND LEVEL. DIAMETER 450mm ACCESS COVERS ARE FOR PURCHASE TO ALLOW FOR RODDING ACCESS.
- SINGLE NECK TANKS SERVING SINGLE PROPERTIES SHOULD BE VENTED, USING THE SOIL STACK. LARGER TANKS SERVING MULTIPLE PROPERTIES SHOULD HAVE A VENT FITTED TO THE NECK TO ENABLE LOCALISED HIGH LEVEL VENTING.
- WE RECOMMEND THE PURCHASE AND USE OF A HIGH LEVEL ALARM WITH THESE TANKS.

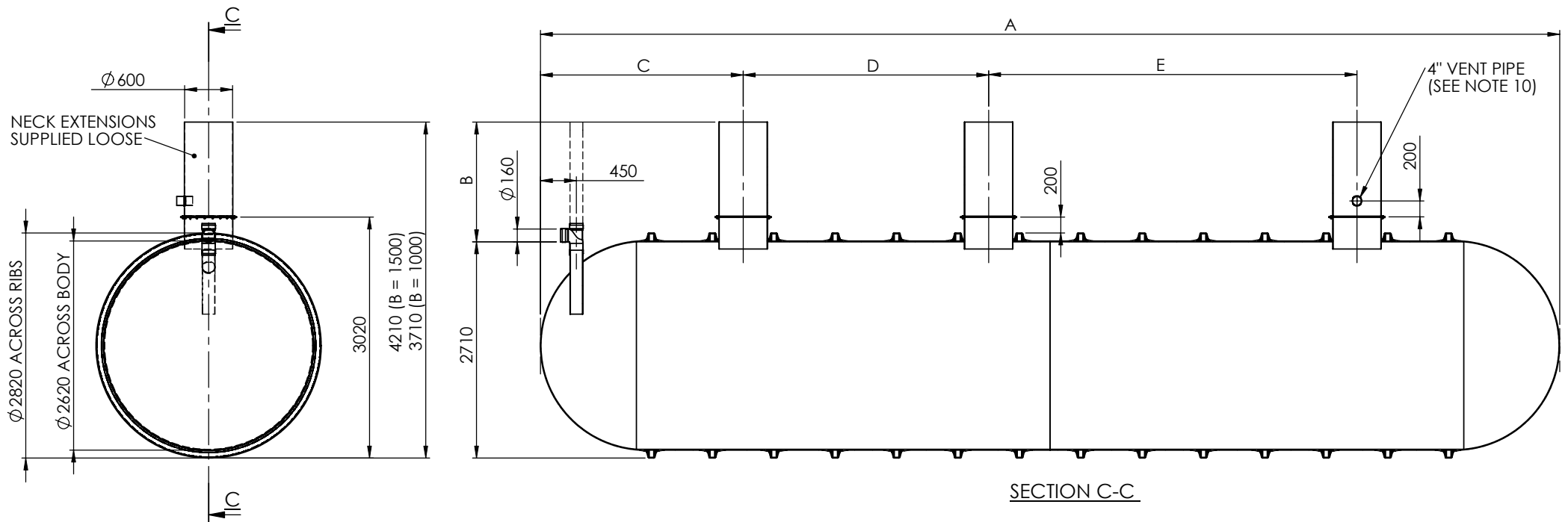
Material : Various	Tolerance (unless stated) :	<b>Drawing : DS0963P - Ø2.6 CP - SL</b> Page 2 of 3
Finish :	Thickness : n/a	
	Surface Area :	
		TWIN NECK CESSPOOL / SILAGE TANK

All dimensions in mm

Scale: Not to scale

Kingspan Environmental reserve the right to alter the details of this drawing without prior notice. This drawing is copyright and may not be reproduced or used without the written permission of Kingspan Environmental





Nominal Volume (Litres)	Nominal Volume (Gallons)	Weight (Kg)	Overall Length A	Inlet Invert B = 1.5 Metres	Inlet Invert B = 1.0 Metres	Dimension to neck C	Dimension between necks D	Dimension between necks E
54,000	11,880	2,229	11,222	1,500	1,000	2,538	3,073	3,075
59,000	12,968	2,317	11,991	1,500	1,000	2,538	3,073	3,842
63,000	13,860	2,538	12,760	1,500	1,000	2,538	3,073	4,611
71,000	15,620	2,998	14,295	1,500	1,000	2,538	4,610	4,610
79,000	17,380	3,477	15,833	1,500	1,000	2,538	5,379	5,379

NOTES:-

- CESSPOOLS AND SILAGE TANKS MUST NOT DISCHARGE INTO THE ENVIRONMENT AND MUST BE EMPTIED WHEN FULL.
- THE TANK IS FITTED WITH A 160MM INLET SOCKET. PIPE ADAPTORS CAN BE PROVIDED FOR AN ALTERNATIVE SIZE OF 110mm. THESE ARE FITTED EXTERNALLY TO THE TANK.
- THIS DRAWING IS PROVIDED TO SUPPLY DIMENSIONAL INFORMATION ONLY.
- THE UNIT MUST BE INSTALLED WITH A CONCRETE SURROUND. PLEASE SEE THE DETAILED INSTALLATION PROCEDURE SUPPLIED WITH EACH UNIT.
- THE UNIT IS SUPPLIED WITH LOOSE, BOLT ON TANK SHAFTS TO SUIT EITHER 1 OR 1.5 METRE INVERT (SPECIFY WITH ORDER). THEY MUST BE FITTED ON SITE AS PART OF THE INSTALLATION AND CAN BE TRIMMED TO SUIT THE EXACT SIZE OF INVERT.
- THE UNIT IS PROVIDED WITH 1, 2 OR 3 SHAFTS, DEPENDING ON ITS VOLUME. TO AID DE-SLUDGING IT IS RECOMMENDED THAT 2 SHAFTS ARE SELECTED FOR TANKS WITH CAPACITIES OF 34m<sup>3</sup> AND ABOVE. 3 SHAFTS SHOULD BE FITTED TO UNITS OF ABOVE 54m<sup>3</sup> (SPECIFY WITH ORDER). ADDITIONAL SHAFTS CAN BE FITTED. UNITS SHOULD NOT BE INSTALLED DEEPER THAN NECESSARY, NOR DEEPER THAN THE INVERT SPECIFIED FOR THE UNIT SUPPLIED.
- PEDESTRIAN DUTY COVER AND FRAMES TO FIT DIAMETER 600mm NECKS, ARE AVAILABLE FOR PURCHASE.
- THE WEIGHTS GIVEN ARE FOR HANDLING PURPOSES ONLY AND EXCLUDE THE BOLT ON SHAFTS.
- THE INLET PIPE SHOULD BE EXTENDED TO GROUND LEVEL. DIAMETER 450mm ACCESS COVERS ARE FOR PURCHASE TO ALLOW FOR RODDING ACCESS.
- SINGLE NECK TANKS SERVING SINGLE PROPERTIES SHOULD BE VENTED, USING THE SOIL STACK. LARGER TANKS SERVING MULTIPLE PROPERTIES SHOULD HAVE A VENT FITTED TO THE NECK TO ENABLE LOCALISED HIGH LEVEL VENTING.
- WE RECOMMEND THE PURCHASE AND USE OF A HIGH LEVEL ALARM WITH THESE TANKS.

Material : Various	Tolerance (unless stated) :	<b>Drawing : DS0963P - Ø2.6 CP - SL</b> Page 3 of 3
Finish :	Thickness : n/a	
	Surface Area :	
		<b>TRIPLE NECK CESSPOOL / SILAGE TANK</b>

All dimensions in mm

Scale: Not to scale

Kingspan Environmental reserve the right to alter the details of this drawing without prior notice. This drawing is copyright and may not be reproduced or used without the written permission of Kingspan Environmental