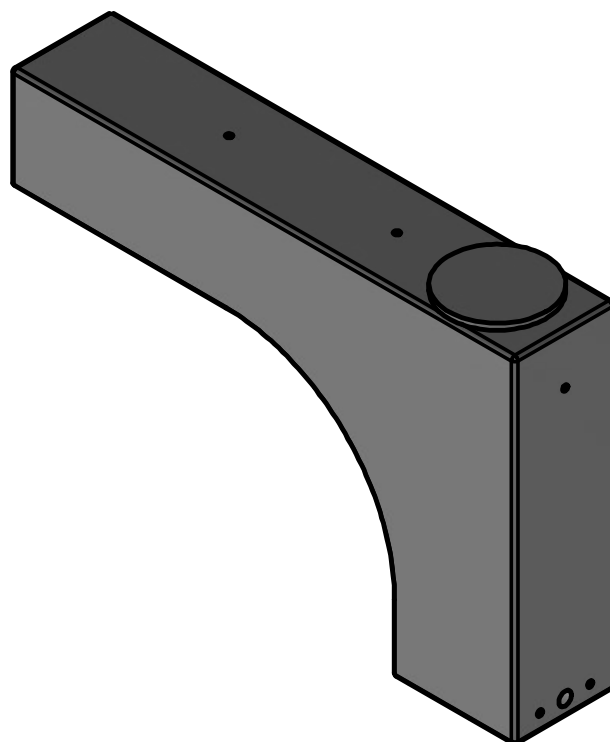


## Description

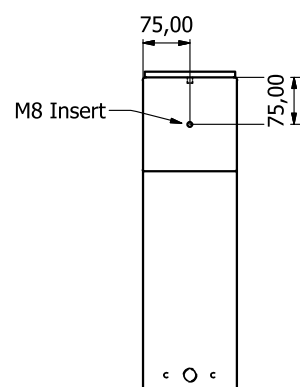
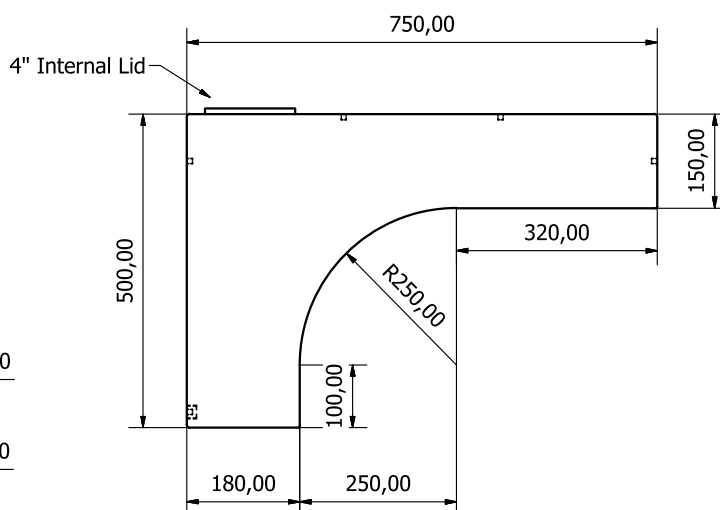
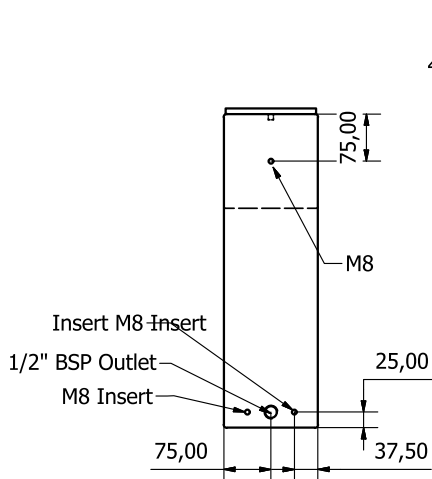
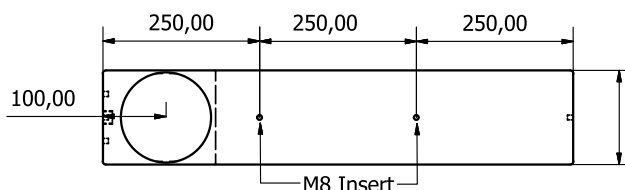
24 Litre wheel arch tank designed to fit in vans and pickups.

24 litre capacity has 6 x M8 inserts moulded into the tank for easy mounting. There are also a range of kits available to ensure the tank is quick and easy to install including a plumbing kit, fitting kit and a submersible pump kit which need to be purchased separately.



## Specifications:

Nominal capacity (Ltr)	24
Height (mm)	500
Width (mm)	750
Depth (mm)	150
Weight (kg)	3



DIMENSIONS ARE ALL IN MM. UNLESS OTHERWISE STATED. ALL TOLERANCES +/- 1MM UNLESS STATED.

