

6

5

4

3

2

1

D

D

C

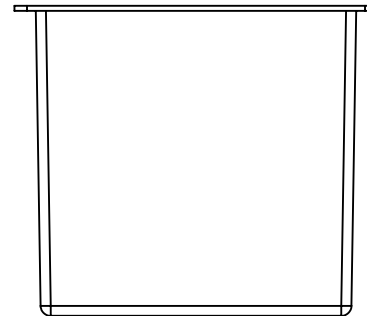
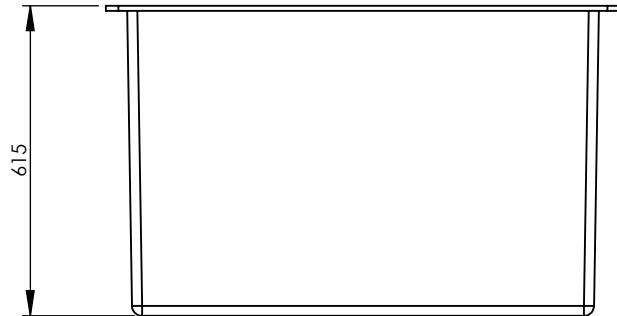
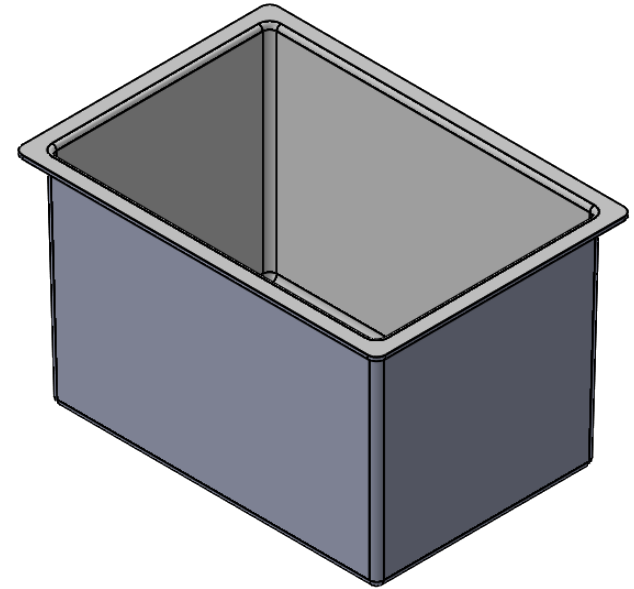
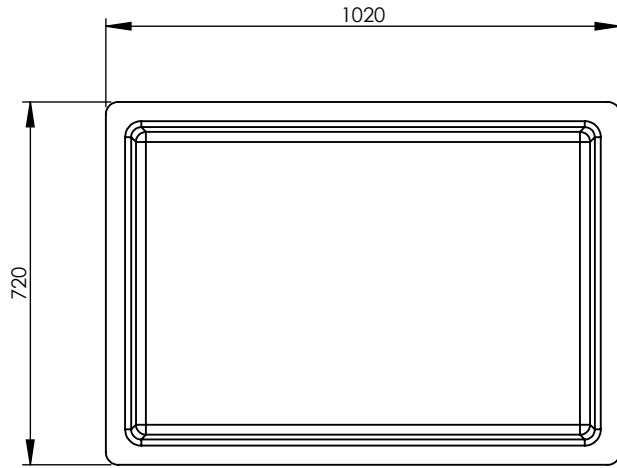
C

B

B

A

A



TITLE PW340.OPEN	
DRAWN BY C.MORRIS	DATE 22/01/2018
CUSTOMER CUSTOMER	

NOTE: All Tanks Direct tanks must be fully supported on a flat, level & continuous foundation providing structural support to the tank when full to maximum operating capacity. It is essential that the user refers to the conditions of installation document prior to the installation of the tank. Under no circumstances should the tank body be used to provide support to pipework and ancillary items.
ALL DIMENSIONS +/- 5mm UNLESS OTHERWISE STATED

DESCRIPTION: PW1501.OPEN Cold water storage tank
A4
ALL DIMENSIONS IN MM - DO NOT SCALE

DATE	VERSION	NOTES
22/01/2018	A	FIRST ISSUE

TANK SPECIFICATION :	
INTERNAL DIMENSIONS	915 x 610 x 610mm
EXTERNAL DIMENSIONS	1020 x 720 x 615mm
NOM. CAPACITY	340 Litres
DRY WEIGHT	27
INSULATION THICKNESS	NONE
MATERIAL	GRP



SCALE:1:15 SHEET 1 OF 1

6

5

4

3

2

1