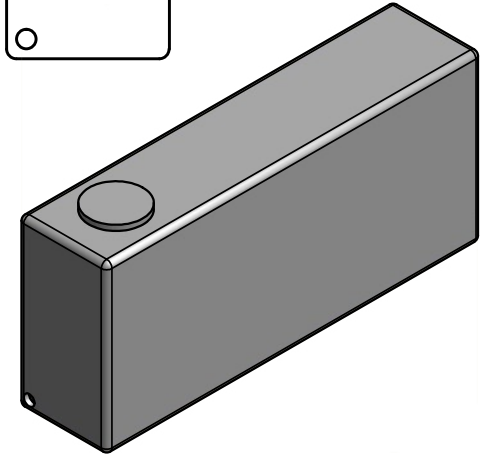
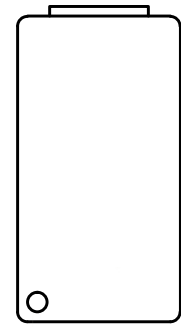
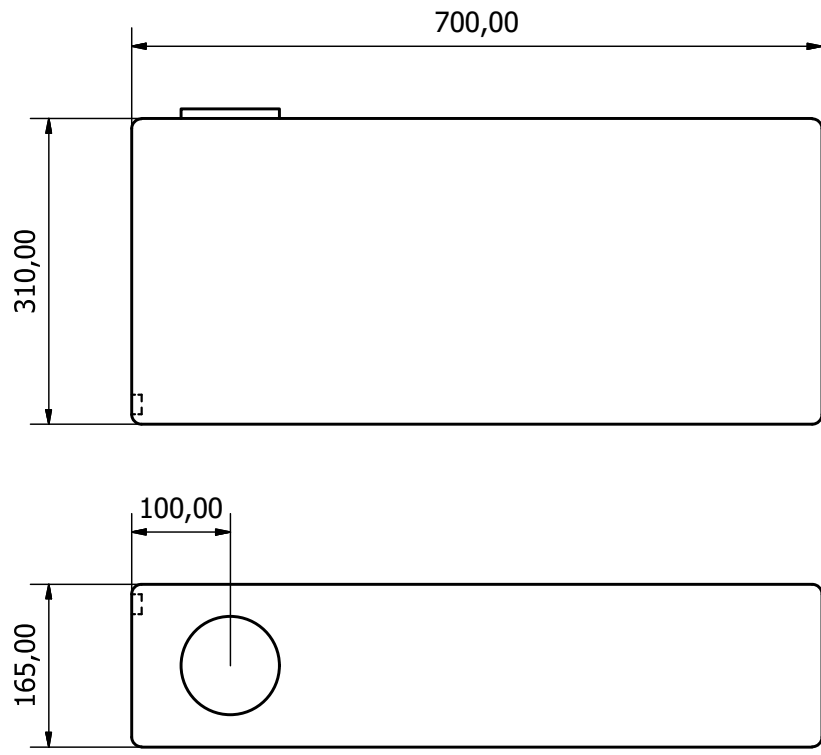




# 30 Litre Water Tank



Height (mm): 310  
 Length (mm): 710  
 Width (mm): 165  
 Capacity (Litres): 30  
 Weight (Kg): 3.00  
 Outlet Size: 1/2" BSP Female  
 Lid size (mm): 100



This drawing and the information thereon is the sole property of Tanks Direct Limited and shall not be copied or reproduced without the consent of Tanks Direct Limited. dimensions are all in mm unless otherwise stated. all tolerances +/- 1mm unless stated.

**01643 703358**  
[www.tanks-direct.co.uk](http://www.tanks-direct.co.uk)

