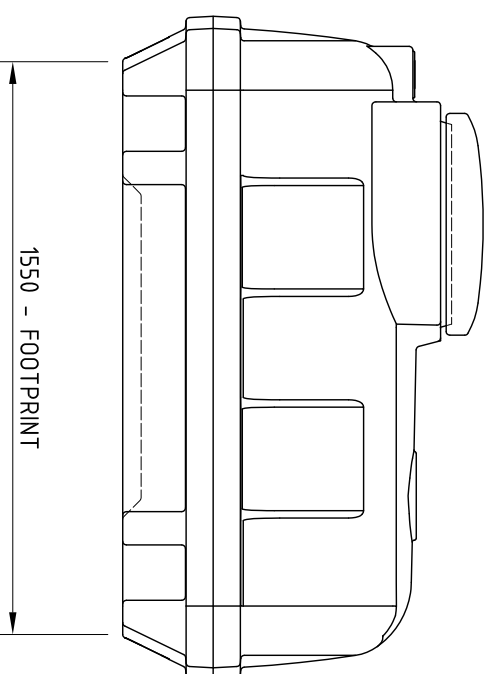
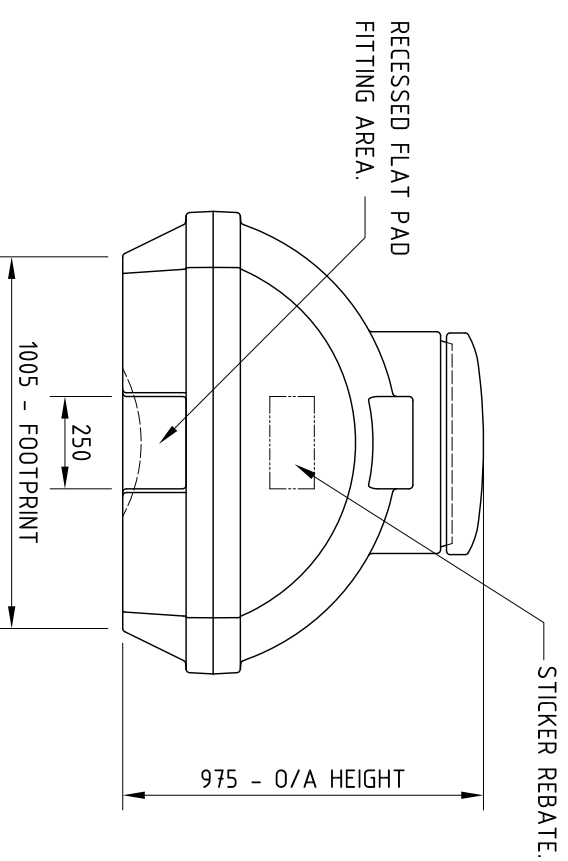


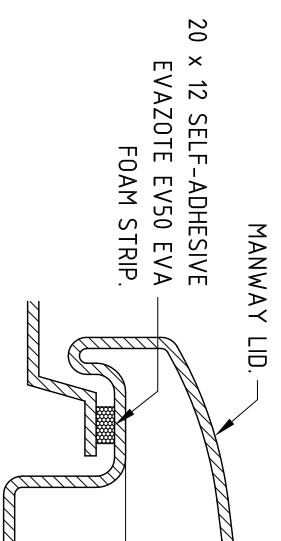
SECTION A-A



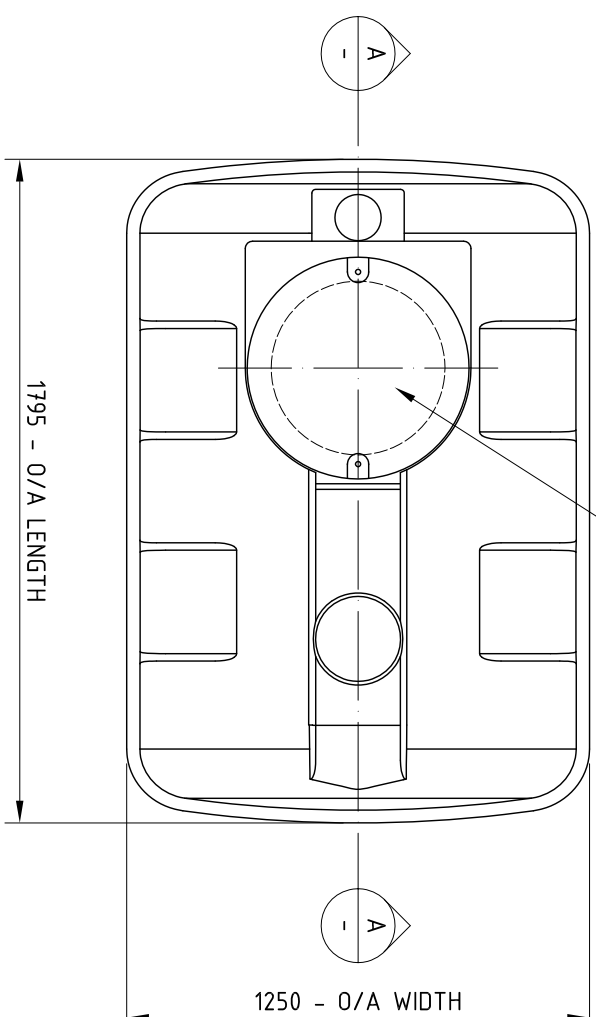
FRONT ELEVATION



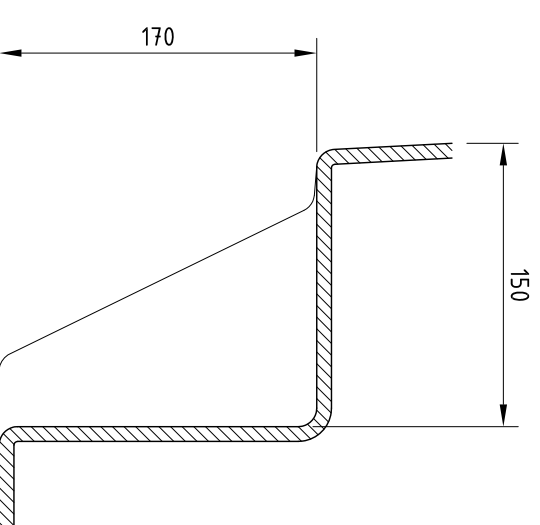
END ELEVATION



DETAIL 'Y'



PLAN VIEW



DETAIL 'X'

- GENERAL NOTES :**
1. ALL DIMENSIONS ARE APPROXIMATE AND ARE FOR INFORMATION ONLY.
  2. ALLOW FOR EXPANSION WHEN TANK IS FULL.
  3. SITE FOUNDATIONS TO ACCOMMODATE WEIGHT OF TANK PLUS CONTENTS.
  4. ENSURE ALL EXTERNAL PIPEWORK IS FULLY & INDEPENDENTLY SUPPORTED.

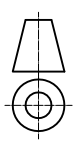
ISSUE	MODIFICATION	BY	CHK	APV	DATE
01	FIRST ISSUE	KG	TM	TM	14/06/12

**BALMORAL TANKS**

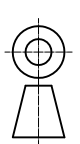
Balmoral Park, Loirston, Aberdeen AB12 3GY, Scotland  
 Telephone +44 (0)1224 859000 Fax +44 (0)1224 859059  
 E-mail group@balmoral.co.uk



THIS DRAWING IS COPYRIGHT AND IS ISSUED ON CONDITION THAT IT IS NOT COPIED, REPRODUCED OR DISCLOSED TO A THIRD PARTY WITHOUT CONSENT IN WRITING OF BALMORAL GROUP LTD., ABERDEEN



FIRST ANGLE PROJECTION



THIRD ANGLE PROJECTION

ALL DIMENSIONS IN MILLIMETRES UNLESS STATED OTHERWISE - DO NOT SCALE IF IN DOUBT - ASK

CLIENT  
**WATER STORAGE TANKS**

DRAWING TITLE

**LP1250 - GENERAL ARRANGEMENT WITHOUT FITTINGS**

DRAWN BY	CHECKED BY	APPROVED BY	DRAWING No.
K.Gibson	T. Mackley	T. Mackley	RT11013-2-15
SCALE	DATE	SHEET SIZE	TYPE
1:20	December 2011	A3	