

FS MICRO

High level alarm (optional)

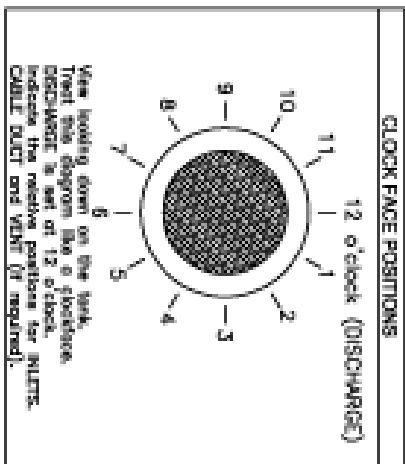
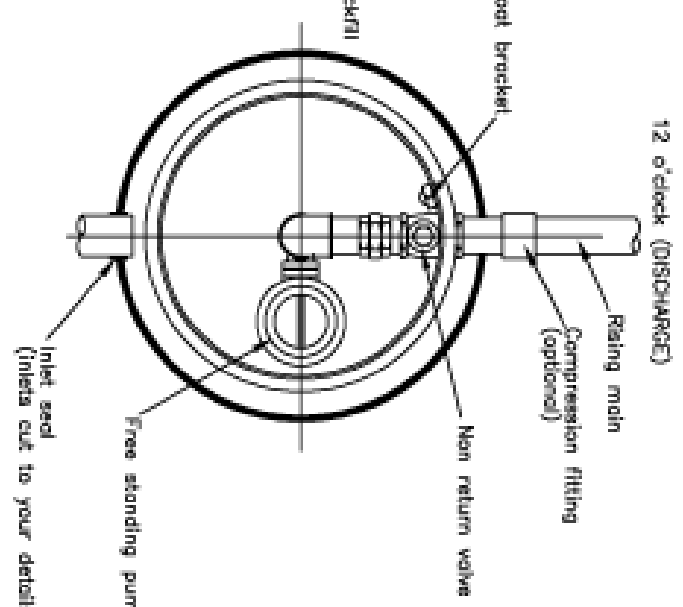
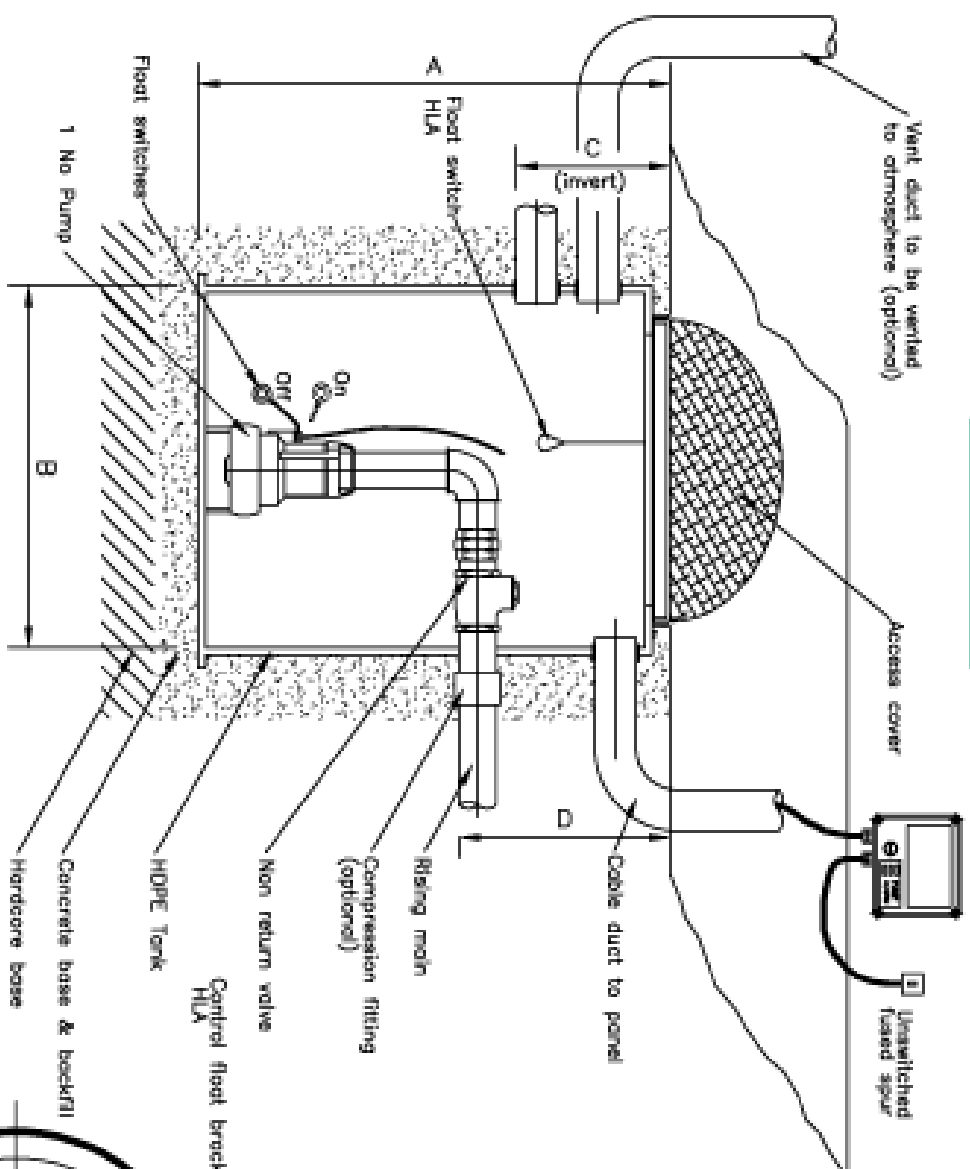
Comments

Please note that the inlet can be supplied loose and drilled on site.

TECHNICAL SPECIFICATION	
Power supply	230V /415V
Motor rating	250W
Frequency	50Hz
Revolutions per min.	3000
Max. vertical output	10m
Max. horizontal output	200m
Max. flow rate	500 l/min.
Max. liquid temperature	40 deg. C
Discharge size	63 O.D. HDPE
Cable length	10m

ACCESS COVER (CLEAR OPENING)	
DIAMETER (mm)	TYPE
450	Pedestrian

FABRICATION SPECIFICATIONS			
ITEM	INDEX	DEPTH/DIAMETER (mm)	CLOCK FACE POSITION
Tank depth	A	1000	
Tank ø	B	610	
Inlet	C1	250	110
Inlet	C2		
Inlet	C3		
Discharge	D	200	63
			12
Cable duct			40
Vent			



View looking down on the tank. Treat this diagram like a clockface. DISCHARGE is set at 12 o'clock. Indicate the relative positions for INLETS, CABLE DUCT and VENT (if required).

PLEASE NOTE THAT THIS DOCUMENT MUST BE READ IN CONJUNCTION WITH THE INSTALLATION & OPERATING GUIDELINES.

Customer:	Drawing No.
Project:	Date:
Project address:	Drawn by:
	Checked by:

Customer:	Drawing No.
Project:	Date:
Project address:	Drawn by:
	Checked by:

DRAWING NOT TO SCALE