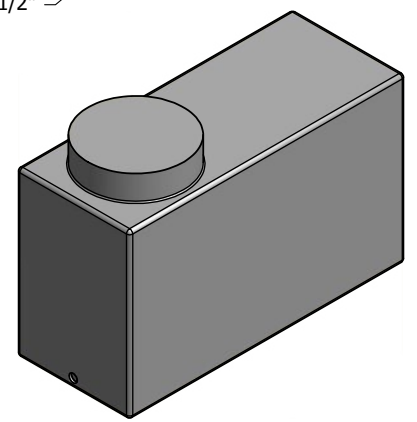
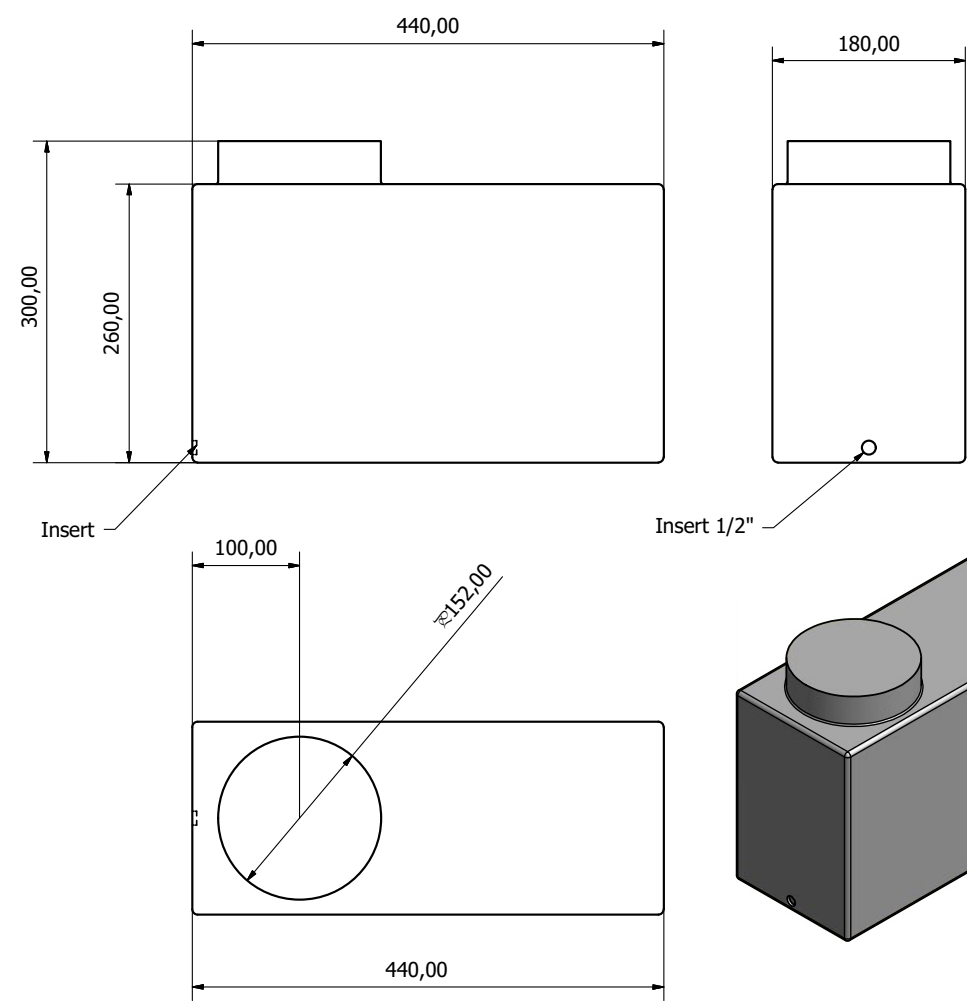




# 18 Litre Water Tank



Lid 6" screw cap  
 Height 260mm (300mm to top of lid)  
 Width 180mm  
 Length 440mm  
 Weight 1.8kgs  
 Capacity 18 litres



This drawing and the information thereon is the sole property of Tanks Direct Limited and shall not be copied or reproduced without the consent of Tanks Direct Limited. dimensions are all in mm unless otherwise stated. all tolerances +/- 1mm unless stated.

**01643 703358**  
[www.tanks-direct.co.uk](http://www.tanks-direct.co.uk)

