

Description:

This specialised filter retains all debris in a stainless steel basket (mesh size 0,55 mm) such that no dirt is washed away into the soakaway or infiltration structure. The filter basket made of stainless steel is easily removed with removal handle.

This filter is very suitable for equipments where the water is used in washing machines, toilet flushing and garden watering, and for sites in which the rainwater has to be drained off. That means where no connection with a sewer is possible. Can be used in conjunction with the 3P Flow Regulator I or II, or other devices. Locking lid available.

All inlets and outlets at DN 110, one inlet can also be used as an emergency overflow. The cleaned rainwater is led through the lower connection into the rainwater tank. Also a calmed inlet can be installed there.

Connection capacity for roof areas up to 200 m².
All connections DN 110.

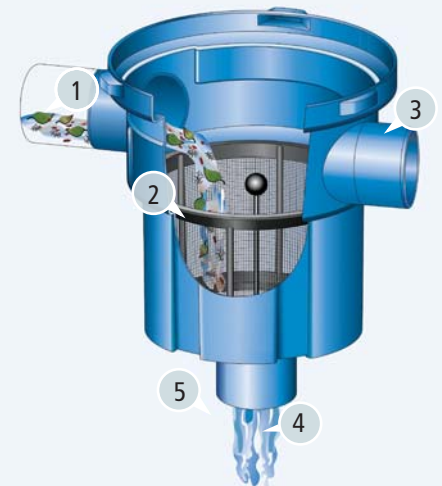
The cleaned water can be used in washing machines, toilet flushing and garden watering, in homes, in commerce, in public buildings and in industry.

The filter has to be cleaned depending on the contamination several times during the year



How it works:

1. Rainwater is led onto the filter cartridge.
2. The dirt is detained in the dirt collecting basket. The basket has to be cleaned if necessary.
3. One inlet DN 110 can also be used as an emergency overflow.
4. Cleaned water flows over the inlet DN 110 into the rainwater tank.
5. Use of a calmed inlet is possible.



Technical Data:

Rainwater filter according to DIN 1989-2, Typ B

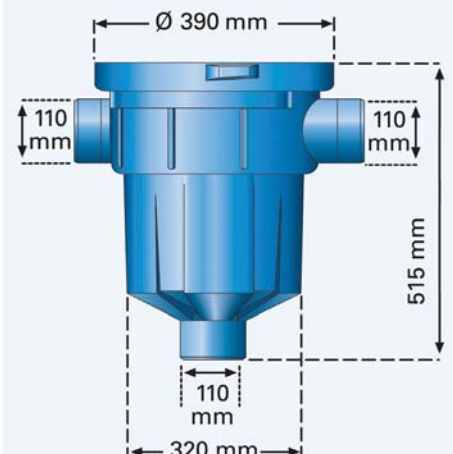
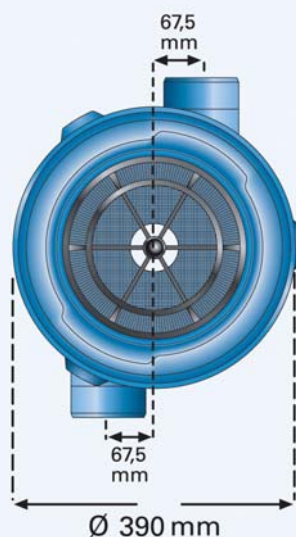
Connection inlet: DN 110
Outlet into rainwater tank: DN 110
Emergency overflow or additional inlet: DN 110

Housing material: Polyethylen

Material filter basket: Stainless steel 1.4301

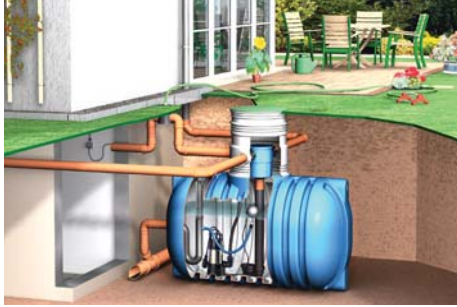
Mesh size: 0,55 mm

Weight: 2,8 kg



Example 1:

Installation directly in a rainwater tank made of plastic with flow regulator.



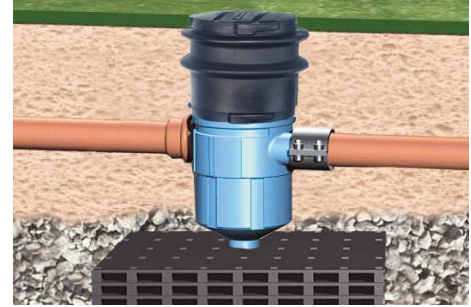
Example 2:

Installation in a soakaway.



Example 3:

Installation above an infiltration element.



Text for invitation of tenders:

Pos.	Quantity	Article	Price in €
1.1	_____	3P Attenuation and Infiltration Filter Filter for installation in tanks or directly into the ground before the tank. Inlet rainwater 2 x DN 110. Outlet into rainwater tank DN 110. Filter insert basket made of stainless steel, mesh size 0,55 mm, with removal handle. Connection capacity according to DIN 1986 for roof areas up to 200 m ² .	_____
1.2	_____	Telescopic extension for 3P Attenuation and Infiltration Filter Plastic (PE) shaft for the installation of 3P Attenuation and Infiltration Filter Telescopic extension can be directly connected with the 3P Attenuation and Infiltration Filter with a bayonet fitting. Height adjustable until 75 cm.	_____

Accessories 1:

3P Telescopic Extension for 3P Attenuation and Infiltration Filter

Art.-Nr. 1000560



Accessories 2:

Locking lid for 3P Attenuation and Infiltration Filter

Art.-Nr. 1000510



Observations:

Packing unit:
m³-box: 12 pieces
Pallet: 24 pieces

EAN: