

Description:

Rainwater filter for the installation in rainwater tanks. Due to the inclined angle of the filter sieve and its very smooth surface structure the dirt is rinsed into the sewer. Filter cartridge mesh in stainless steel within plastic housing.

Retro-installation of 3P Backwashing Device PF + SF is possible. The 3P Patronen Filter is ideally suited for use in conjunction with a 3P Overflow Siphon Duo and the 3P Calmed Inlet.

Low maintenance, the filter has to be cleaned depending on the contamination several times during the year.

Connection capacity after DIN 1986 for roof areas up to 150 m².

All connections DN 110.

Small height difference of 66 mm between rainwater inlet and wastewater outlet.

Mesh size of filter cartridge 0,7 x 1,7 mm.

The cleaned water can be used in washing machines, toilet flushing and garden watering, in homes, in commerce, in public buildings and in industry.



How it works:

1. Rainwater is led onto the filter cartridge.
2. The filter cartridge cleans the rainwater. The cleaned rainwater is led through the calmed flow inlet into the rainwater tank.
3. Due to the steep inclination of the filter and its smooth surface structure the dirt is quickly rinsed away into the sewer.



Technical Data:

Filter according to DIN 1989-2, Typ C

Connection inlet: DN 110

Outlet into tank: DN 110

Outlet into sewer: DN 110

Height difference between rainwater inlet and outlet just 66 mm.

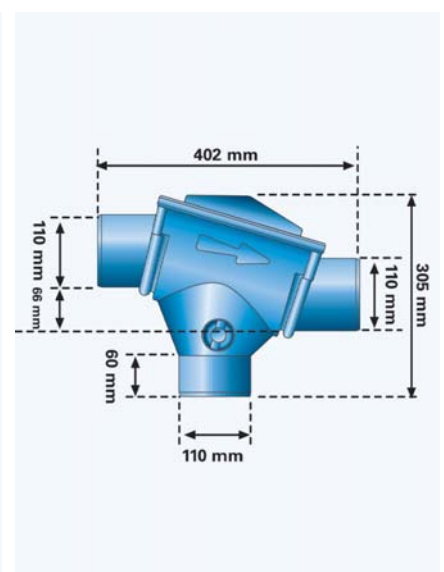
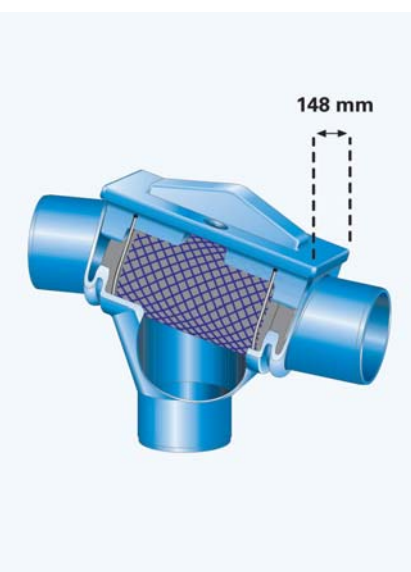
Housing material: Polyethylen

Filter cartridge: Stainless steel 1.4301

Material Poly-Net: Polyethylen

Mesh size: 0,7 x 1,7 mm

Weight: 1,4 kg

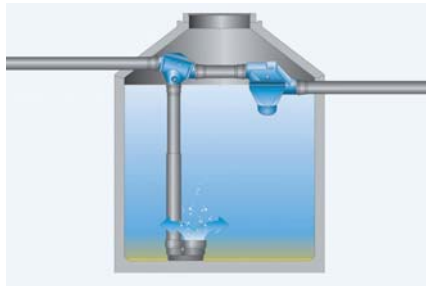


Example 1:

Installation in a concrete tank



Example 2:



Text for invitation of tenders:

Pos.	Quantity	Article	Price in €
1.1	_____	3P Patronen Filter	_____
<p>Rainwater filter for installation within rainwater tanks. Height difference of 66 mm between inlet and outlet. Inlet rainwater DN 110 Outlet into sewer DN 110 Outlet into tank DN 110</p> <p>Filter cartridge made of stainless steel. Mesh size 0,7 x 1,7 mm.</p> <p>Integrated backwashing device possible.</p> <p>Connection capacity according to DIN 1986 for roof areas up to 150 m²</p>			

Accessories 1:

3P Backwashing Device Art.-Nr.1000355
PF + SF consisting of: Backwashing Device and Profi Connection Set.
Retro-installation possible.

Accessories 2:

3P Automatic Backwashing Device Art.-Nr.1000356
consisting of: Backwashing Device, Profi Connection Set and Programmable Timing Device.

Accessories 3:

3P Removal Handle Art.-Nr.1000550
For filter removal in deeper installations.
Length: 50 cm
Material: Stainless steel



Observations:

Packing unit:
m³-Carton: 20 pieces
Pallet: 40 pieces
EAN: