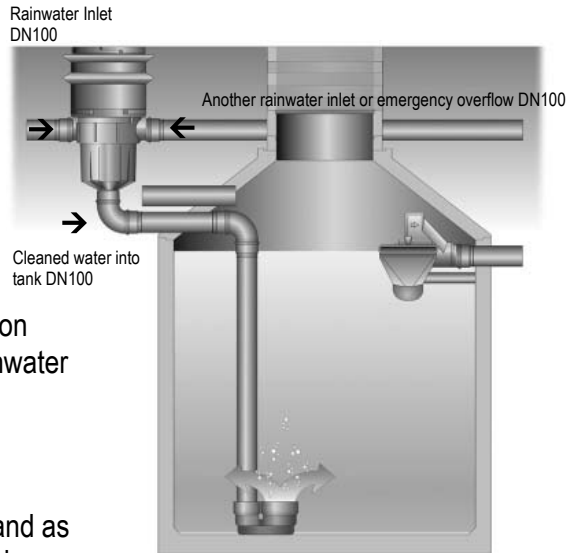


3P Retention Filter

Rainwater filter for installation in rainwater tank



4.2. Underground Installation:

You can also install the 3P Retention Filter directly in the ground pre rainwater tank.

5. Maintenance advice:

Regularly monitor the filter insert, and as necessary remove this insert and clean sieve with water and brush.

6. Guarantee:

3P Technik UK Limited offers this product with guarantee regulated by law (from date of purchase).

Installation instructions

Art.-Nr. 1000630



3P Technik UK Limited
Unit 9 Parc Teifi
Cardigan
Wales
SA43 1EW

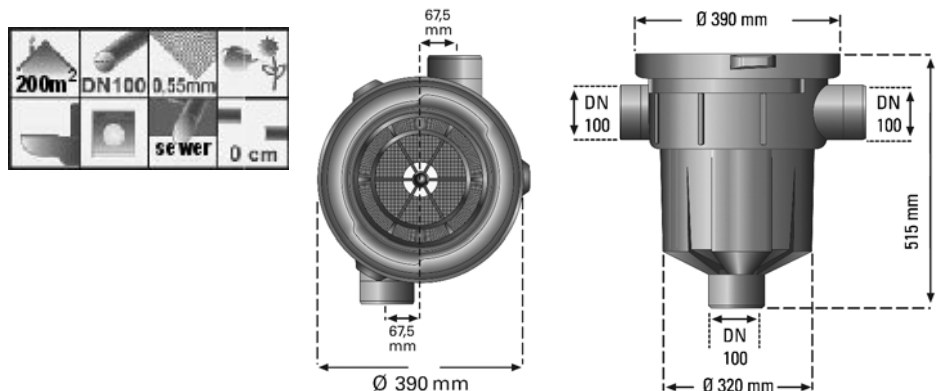
contact@3ptechnik.co.uk
www.3ptechnikuk.com

Installation instructions

3P Retention Filter

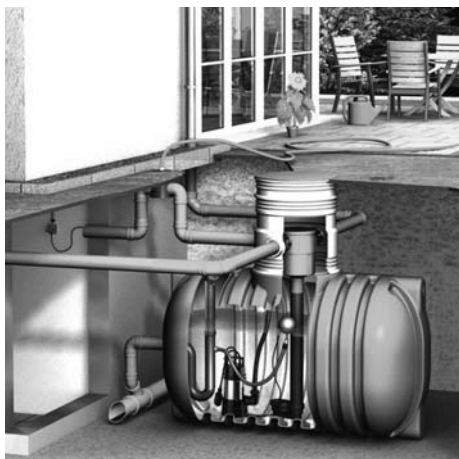
Please read carefully the instructions for installation and handling of your rainwater filter, the 3P Retention Filter RF, and follow the advice.

1. Technical Data

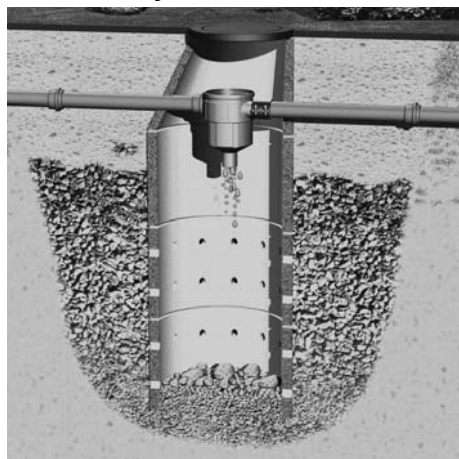


2. Installation advice:

Installation in **rainwater tank**.



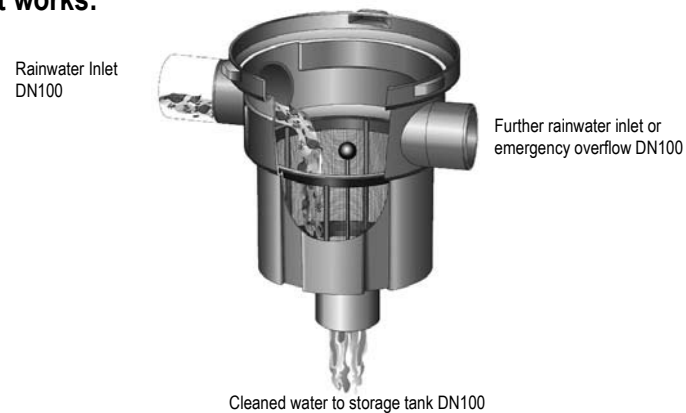
Installation in a **man hole or infiltration system**.



Installation instructions

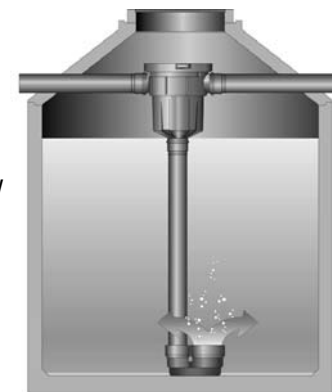
3P Retention Filter

3. How it works:



4. Installation in a rainwater tank

- Set up the inlet with pipe and connector, or pipe socket.
- Connect the filter overflow with pipe socket, or with the 3P Rapid Connector onto the overflow of the tank.
- Connect the filter outlet to the tank inlet pipe (vertical pipe) with DN100 pipe and a 3P Calmed Inlet. The 3P Calmed Inlet supports the Filter in the tank. No other support is necessary.



4.1. Recommended

3P Telescopic Extension Tube



Art.-Nr 1000560

3P Locking Lid



Art.-Nr 1000506

3P Rapid Connector



Art.-Nr 400075