

Description:

Garden Filter with plastic shaft extension tube for direct installation in the ground before the rainwater tank, with locking lid.

The extension tube is telescopic, so it can be cut to the correct height. It is therefore simple to use and install. The extension is correctly fitted when the bayonet locking system clicks into place.

This filter is very suitable for equipments of watering the garden and for sites in which the rainwater has to be drained off. That means where no connection with a sewer is possible.

All inlets and outlets at DN 110, one inlet can also be used as an emergency overflow.

The cleaned rainwater is led through the bottom connection into the rainwater tank. Also a calmed inlet can be installed there.

Connection capacity for roof areas up to 200 m².

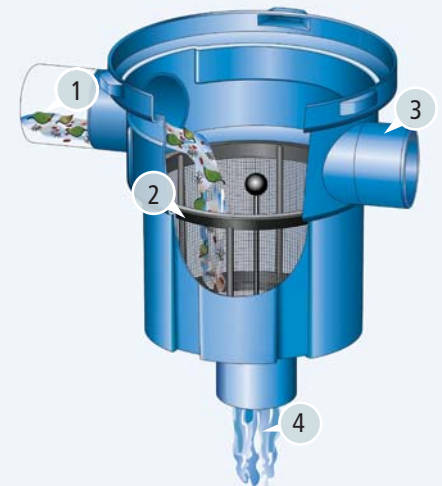
The cleaned water can be used for garden watering.

The filter has to be cleaned depending on the contamination several times during the year.



How it works:

1. Rainwater is led onto the filter cartridge.
2. The dirt is detained in the dirt collecting basket. The basket has to be cleaned if necessary.
3. One inlet DN 110 can also be used as an emergency overflow.
4. Cleaned water flows over the inlet DN 110 into the rainwater tank.



Technical Data:

Filter according to DIN 1989-2, Typ B

2 x Connection inlet: DN 110
Outlet into rainwater tank: DN 110

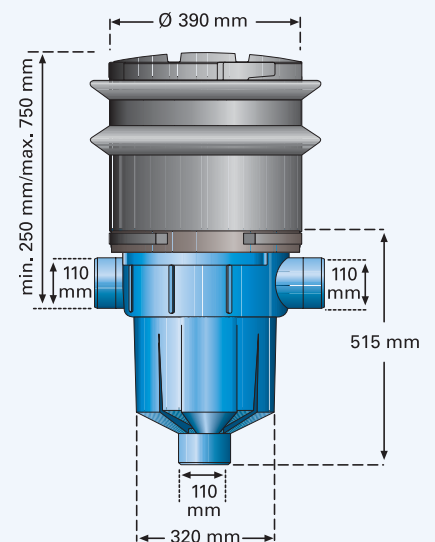
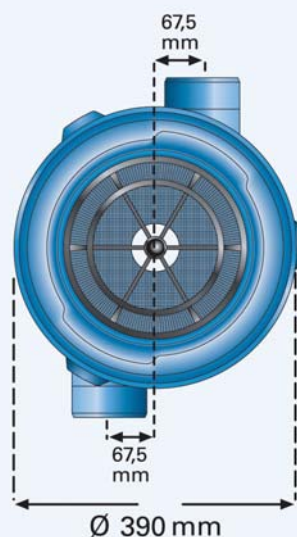
Connection capacity for roof areas up to 200 m².

Housing material: Polyethylen
Telescopic extension: Polyethylen

Material filter basket: Polyethylen
Ø 305 x 288 x 245 mm

Mesh size: 1 mm

Weight: 7,3 kg



Example 1:

Installation above an infiltration element.



Text for invitation of tenders:

Pos.	Quantity	Article	Price in €
1.1	_____	3P Garden Filter with telescopic extension Filter for installation in the ground before the tank. Inlet rainwater 2 x DN 110. Outlet into rainwater tank DN 110. Filter insert plastic basket, mesh size 1 mm, with removal handle. Connection capacity according to DIN 1986 for roof areas up to 200 m ² .	_____
1.2	_____	Telescopic Extension for 3P Garden Filter Plastic (PE) shaft for the installation of 3P Garden Filter Telescopic extension can be directly connected with the 3P Garden Filter with a bayonet fitting. Height adjustable until 75 cm.	_____

'Accessories 1:

3P Telescopic Extension for 3P Garden Filter
Art.-Nr. 1000560

Accessories 2:

Locking lid for 3P Garden Filter
Art.-Nr. 1000510



Observations:

Packing unit:

see 1000600 and 1000560