

Description:

A total retention rainwater filter with integrated dirt collecting basket at mesh width of 1 mm.
The filter basket is easily removed with a removal handle.

Installation in a rainwater tank or turret, or before a tank in the ground using the 3P Telescopic Extension Set with lid.
This filter is very suitable for equipments of watering the garden and for sites in which the rainwater has to be drained away. That means where no connection with a sewer is possible.

All inlets and outlets at DN 110, one inlet can also be used as an emergency overflow.
The cleaned rainwater is led through the lower connection into the rainwater tank. Also a calmed inlet can be installed there.

Connection capacity for roof areas up to 200 m².

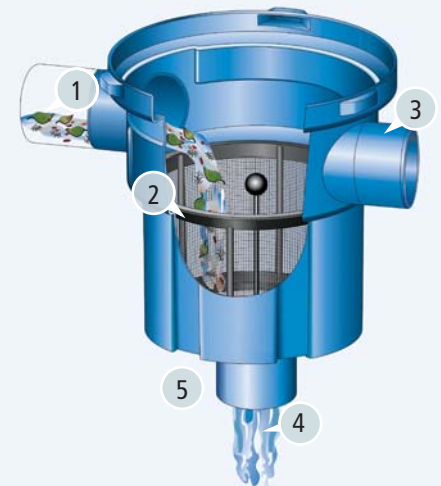
The cleaned water can be used for garden watering.

The filter has to be cleaned depending on the contamination several times during the year.



How it works:

1. Rainwater is led onto the filter cartridge.
2. The dirt is detained in the dirt collecting basket. The basket has to be cleaned if necessary.
3. One inlet DN 110 can also be used as an emergency overflow.
4. Cleaned water flows over the inlet DN 110 into the rainwater tank.
5. Use of a calmed inlet is possible.



Technical Data:

Filter according to DIN 1989-2, Typ B
Connection inlet: DN 110
Outlet into rainwater tank: DN 110
Emergency overflow or additional inlet: DN 110

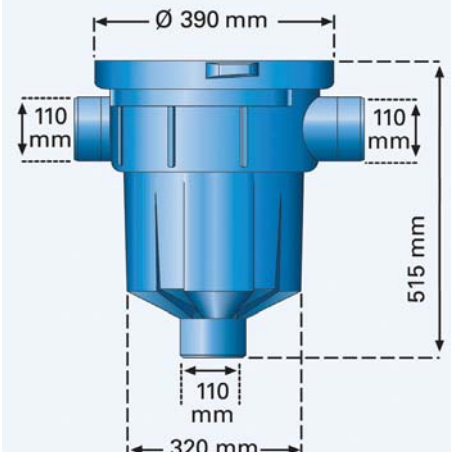
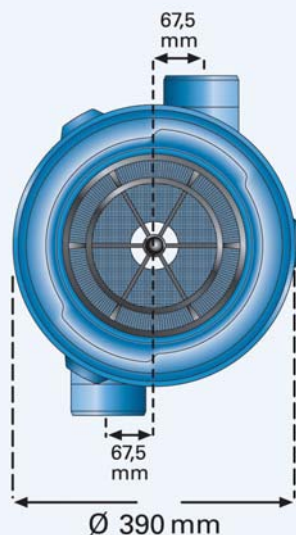
Connection capacity for roof areas up to 200 m².

Housing material: Polyethylen

Material filter basket: Polyethylen
Ø 305 x 288 x 245 mm

Mesh size: 1 mm

Weight: 2,2 kg



Example 1:

Installation directly in a rainwater tank made of plastic.



Example 2:

Installation directly in a rainwater tank made of concrete.



Text for invitation of tenders:

Pos.	Quantity	Article	Price in €
1.1		3P Garden Filter Filter for installation in tanks or directly in the ground before the tank. Inlet rainwater 2 x DN 110. Outlet into rainwater tank DN 110. Filter insert plastic basket, mesh size 1 mm, with removal handle. Connection capacity according to DIN 1986 for roof areas up to 200 m ² .	_____
1.2		Telescopic Extension for 3P Garden Filter Plastic (PE) shaft for the installation of 3P Garden Filter Telescopic extension can be directly connected with the 3P Garden Filter with a bayonet fitting. Height adjustable until 75 cm.	_____

Accessories 1:

3P Telescopic Extension for 3P Garden Filter
Art.-Nr. 1000560



Accessories 2:

Locking lid for 3P Garden Filter
Art.-Nr. 1000510



Observations:

Packing unit:
m³-box: 12 pieces
Pallet: 24 pieces
EAN: