

6

5

4

3

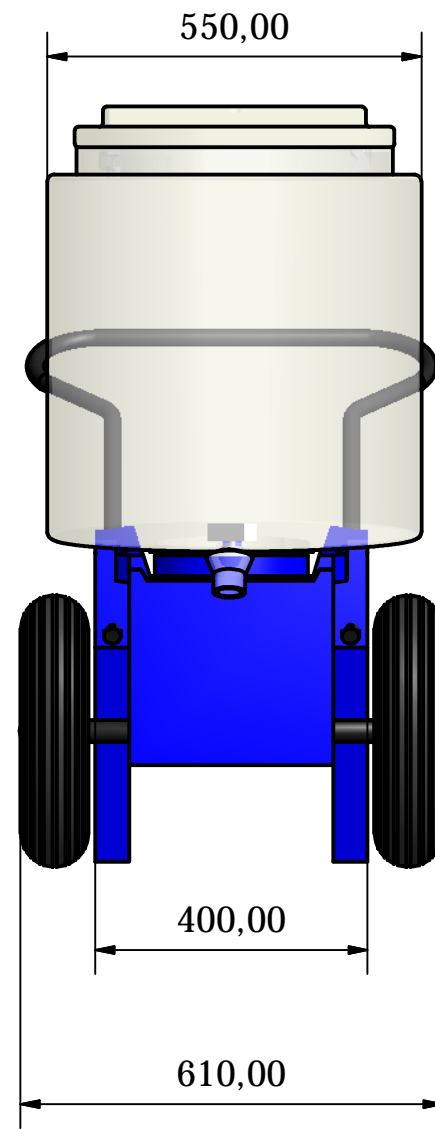
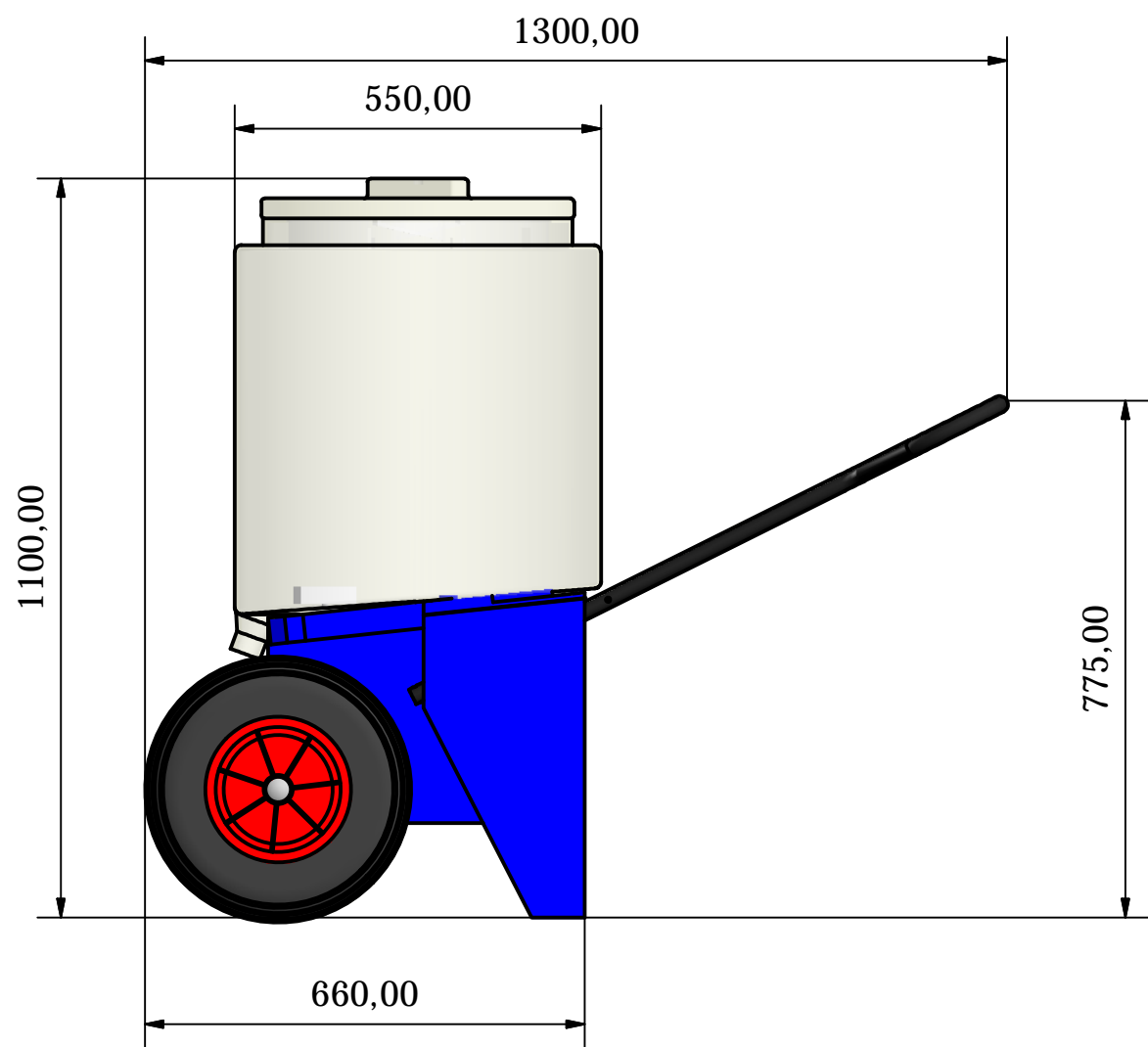
2

1

Material	
Qty Req'd	

D

D



C

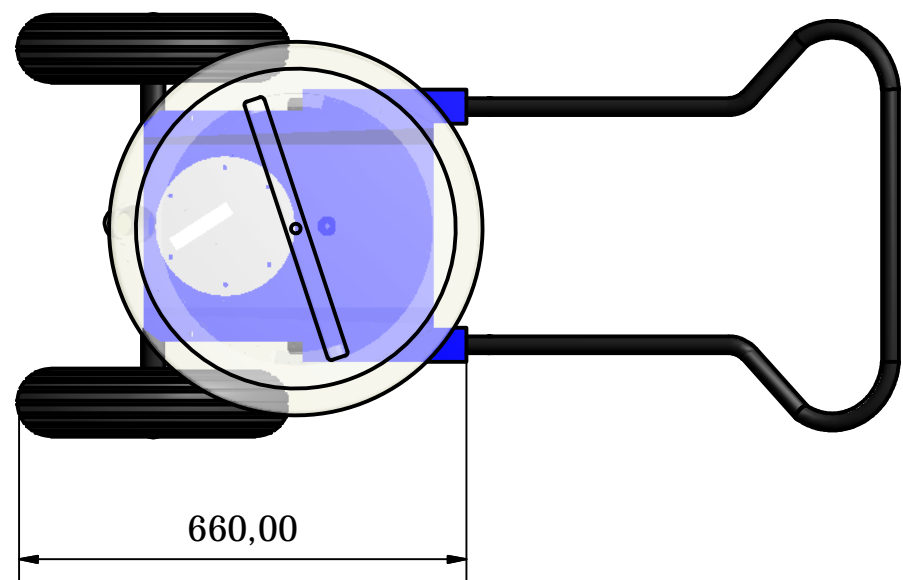
C

B

B

A

A



REV	ZONE	DESCRIPTION	DATE
-----	------	-------------	------

6

5

4

3

2

1