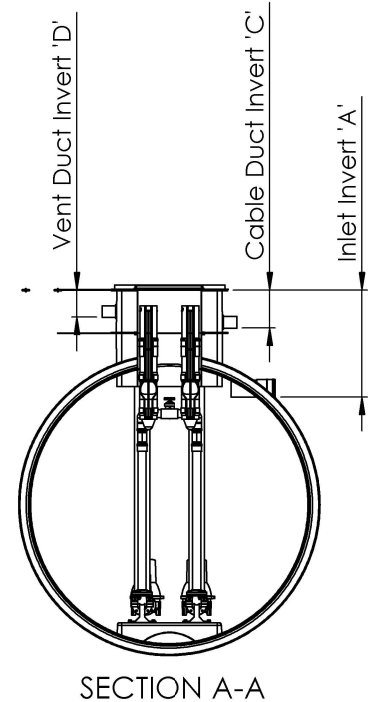
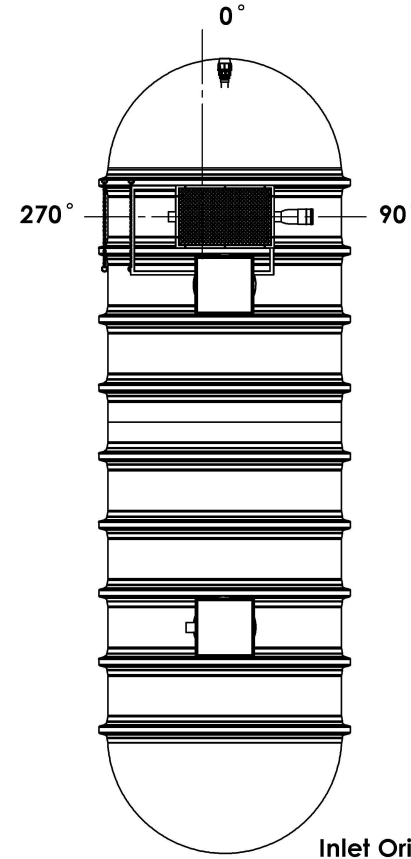


Inlet Invert 'A'	Outlet Invert 'B'	Cable Duct 'C'	Vent Duct 'D'	Overall Height 'E'
1000	1200	350	250	3420
1500	1700	350	250	3920
2000	2200	350	250	4420
2500	2700	350	250	4920
3000	3200	350	250	5420
3500	3700	350	250	5920
4000	4200	350	250	6420
4500	4200	350	250	6420
5000	4200	350	250	6420

Notes

- Pump chamber delivered with pumps separate. This is to avoid unnecessary damage.
- Pumps should be coupled to chains in order to assist installation.
- Please read operating and installation guidelines before attempting to installing the pump chamber.



Please check with Kingspan Water & Energy for the latest Issue of the drawing				
Issue	Date	Drawn By	Approved By	Description
03	08/02/2024	D.Musvaburi	D.M	ECN 2044 -Wet well volume for PSTOR28E-11 updated
All Dimensions In mm		Scale: Do Not Scale		 Third Angle Projection

LN Number :	Tolerance (unless stated) :
Finish :	Thickness :
Weight :	Surface Area : m ²
Modelled By :	Material :
Kingspan Water & Energy reserve the right to alter the details of this drawing without prior notice. This drawing is copyright and may not be reproduced or used without the written permission of Kingspan Water & Energy	

Drawing : DS1429P Page 1 of 3

PE28 PSTOR 24 Horizontal Pump Chamber

A:\Depl\Wastewater\Engineering\Drawing Data\02 - Sales Drawings\DS\DS - 14\DS1429P

Chamber Size & Storage Chart

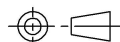
(Storage Chamber Volume Only)

PSTOR Ref.	Overall Length 'F'	Wet Well Volume	Total Storage	24 Hour Storage (approx)		
				1.0 - 4.0 Inlet Height	4.5 Inlet Height	5.0 Inlet Height
				(mm)	(ltr)	(ltr)
PSTOR28E-01	4317	11400	18213	6522	5231	3445
PSTOR28E-02	5073	11400	22227	10290	8213	5472
PSTOR28E-03	5837	11400	26283	14098	11228	7520
PSTOR28E-04	6602	11400	30344	17912	14246	9570
PSTOR28E-05	7376	11400	34353	21770	17300	11645
PSTOR28E-06	8150	11400	38563	25629	20355	13720
PSTOR28E-07	8917	11400	42635	29452	23381	15776
PSTOR28E-08	9684	11400	46707	33276	26407	17832
PSTOR28E-09	10453	11400	50791	37109	29442	19894
PSTOR28E-10	11222	11400	54873	40943	32476	21955
PSTOR28E-11	13527	11400	67111	52433	41571	28134
PSTOR28E-12	15065	11400	75277	60100	47640	32257
PSTOR28E-13	15833	11400	79354	63928	50670	34315

LN Number :	Tolerance (unless stated) :	Drawing : DS1429P	Page 2 of 3
Finish :	Thickness :		
Weight :	Surface Area : m ²	PE28 PSTOR 24 Horizontal Pump Chamber	
Modelled By :	Material :		

All Dimensions In mm

Scale: Do Not Scale



Third Angle Projection

Kingspan Water & Energy reserve the right to alter the details of this drawing without prior notice. This drawing is copyright and may not be reproduced or used without the written permission of Kingspan Water & Energy



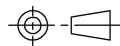
Chamber Size & Storage Chart (Storage Chamber + Wet Well Volume)

PSTOR Ref.	Overall Length 'F' (mm)	Wet Well Volume (ltr)	Total Storage (ltr)	24 Hour Storage including Wet Well Volume (approx)		
				1.0 - 4.0 Inlet Height (ltr)	4.5 Inlet Height (ltr)	5.0 Inlet Height (ltr)
				PSTOR28E-01	4317	11400
PSTOR28E-02	5073	11400	22227	21151	16234	11166
PSTOR28E-03	5837	11400	26283	24947	19820	13194
PSTOR28E-04	6602	11400	30344	28747	22820	15225
PSTOR28E-05	7376	11400	34353	32593	25856	17280
PSTOR28E-06	8150	11400	38563	36439	28891	19335
PSTOR28E-07	8917	11400	42635	40250	31899	21371
PSTOR28E-08	9684	11400	46707	44060	34907	23407
PSTOR28E-09	10453	11400	50791	47881	37923	25448
PSTOR28E-10	11222	11400	54873	51702	40939	27490
PSTOR28E-11	13527	11400	67111	63154	49979	33609
PSTOR28E-12	15065	11400	75277	70796	56011	37692
PSTOR28E-13	15833	11400	79354	74612	59023	39730

LN Number :	Tolerance (unless stated) :	Drawing : DS1429P	Page 3 of 3
Finish :	Thickness :		
Weight :	Surface Area : m ²	PE28 PSTOR 24 Horizontal Pump Chamber	
Modelled By :	Material :		

All Dimensions In mm

Scale: Do Not Scale



Third Angle Projection

Kingspan Water & Energy reserve the right to alter the details of this drawing without prior notice. This drawing is copyright and may not be reproduced or used without the written permission of Kingspan Water & Energy

