



DEPLOY



14R Model

Installation Guide

water storage has never been easier

Content

1. Safety Warnings	3
2. Get To Know The 14,000 Litre Water Tank	4
3. Components	5
4. Installation Kit	6
5. Additional Tools	7
6. Installation Guide	8
7. Troubleshooting Guide	19

Safety Warnings

This guide is intended to help you be more comfortable whilst using this product. Failure to follow the instructions for proper set up, use, and care for your water tank can increase the risk of property damage, personal injury or death.

1. It is important to follow this guide for proper installation. Improper installation can lead to leaks.
2. The product should be kept **Cool and Dry** whilst stored - away from moisture, direct sunlight and fluctuating temperatures.
3. It is not recommended to store this product in shipping containers in direct sunlight where temperatures may exceed **40°C (104°F)** for prolonged periods.
4. Keep the product and of all its accessories out of the reach of small children.
5. Make sure that the installation area is **Flat** and clear of any sharp objects that may damage the tank.
6. It is recommended to be installed by **at least Two Adults**.
7. Wear appropriate protective clothing and equipment, such as gloves and a dust mask.
8. To install the tank, a **Power Supply** and a **Water Supply** are required. You must ensure that both are located close to the tank.
9. For best results, hydrate using a **Spray Nozzle**. Do **NOT** use a high pressure water system as this may disperse impregnated concrete from the fabric wall, compromising the final structural strength.
10. When installing the tank, it is important to consider the weather conditions. Failure to do so may reduce the overall strength of the finished structure.

Installation In Drying Conditions

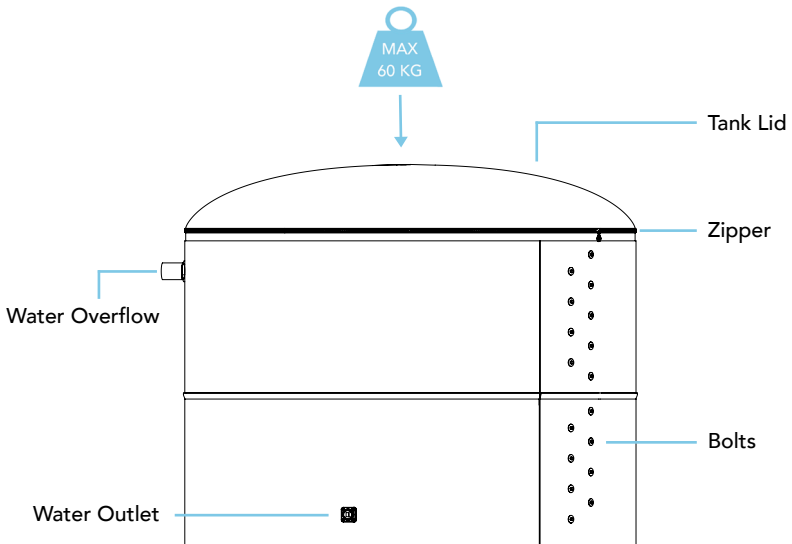
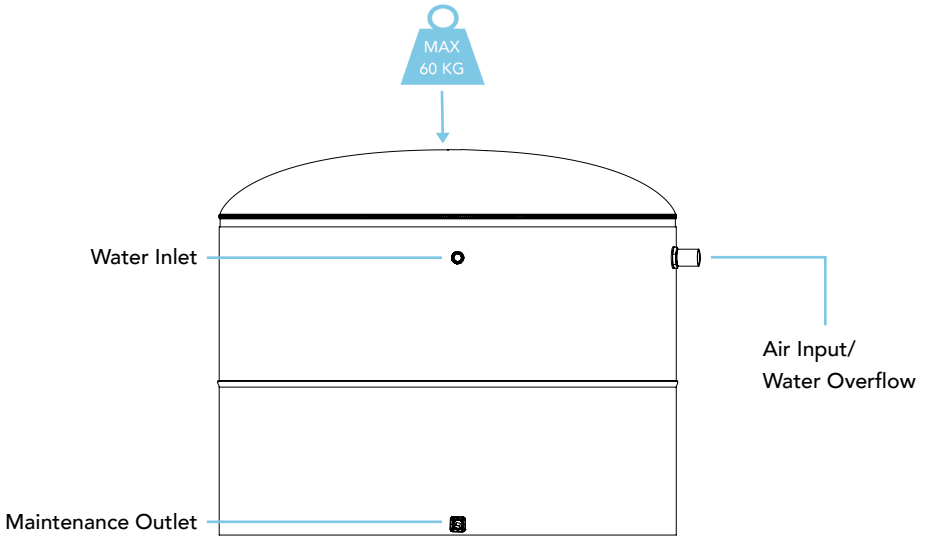
Drying conditions can affect the tank in the first 5 hours after hydration resulting in excessive loss of water preventing the specified strength gain. Drying conditions occur when there are one or more of: high air temperature **>22°C (71°F)**, wind **>12kmph (7.45mph)**, strong direct sunlight or low humidity (**<70%**). If it is suspected that the material has over-dried: - re-hydrate, in accordance with these instructions. This will enable the tank to gain the specified strength.

Installation In Low Temperature Conditions

If the temperature is expected to fall below **0°C (32°F)** within 8 hours following hydration use warm water **>15°C (59°F)** and cover with plastic sheeting. It is **NOT** recommended to install the tank if the temperature is likely to fall below **-4°C(24.8°F)** within 24 hours of hydration.

11. Do **NOT** place anything weighing **MORE THAN 60KG** on top of the tank.
12. Use only attachments/accessories specified by DEPLOY™.
13. We do **NOT** recommend moving the product from its original installation location.
14. In case of emergency, please contact DEPLOY™ technical support via **+(44) 345 548 3375**.

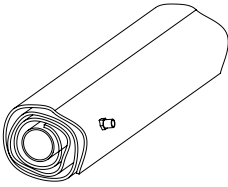
Get To Know The 14,000 Litre Water Tank



Components

1.

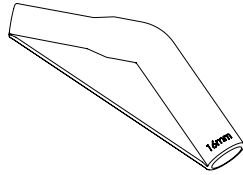
1x



14,000 Litre Water Tank

2.

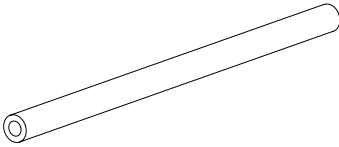
8x



Elbow Connector

3.

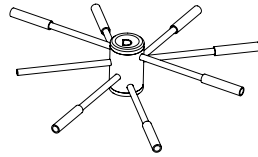
8x



Fiberglass Pole

4.

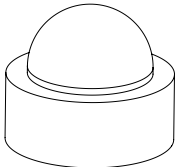
1x



Centre Hub

5.

17x

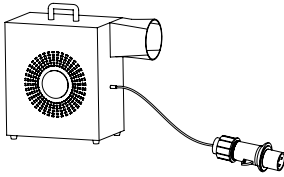


M10 Bolt Cover

Installation Kit

1.

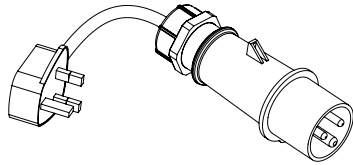
1x



Gibbons 1.5 hp Blower

2.

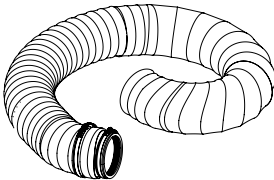
1x



13A-16A Fly Lead Converter

3.

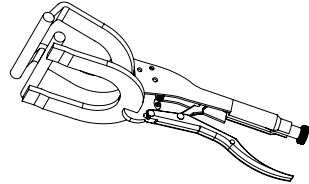
1x



Flexible Hose with Reducer

4.

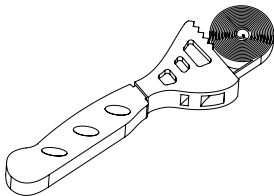
4x



Rounded Mouth Clamp

5.

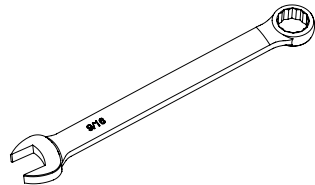
1x



Pipe/Fitting Wrench

6.

1x



9/16" Spanner

7.

1x

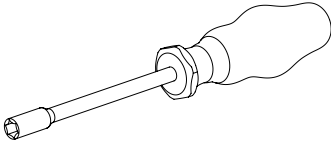


Airtight Tape

Additional Tools

1.

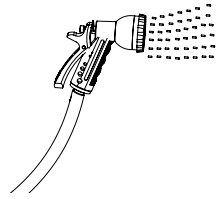
1x



7mm & 8mm Socket Driver

2.

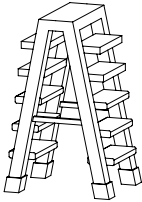
1x



Water Hose & Spray Nozzle

3.

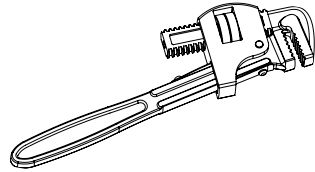
2x



Ladder

4.

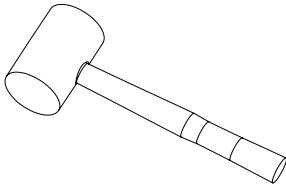
1x



Adjustable Wrench

5.

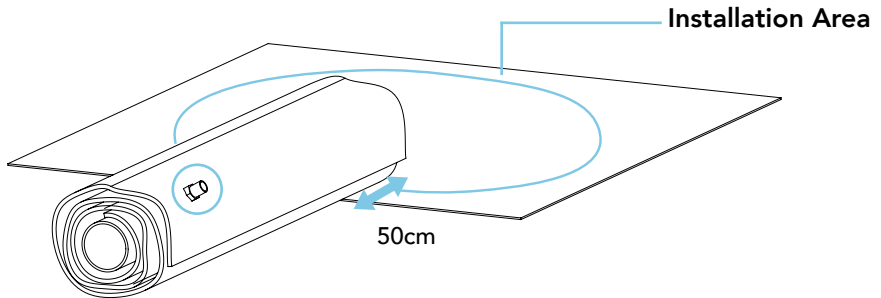
1x



Mallet Hammer

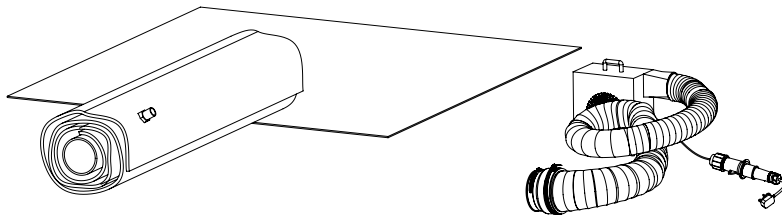
Installation Guide

Step 1. Placing The 14,000 Litre Water Tank



In order to perfectly centre the tank on the installation surface, place 50cm of the rolled 14,000 Litre Water Tank on the edge of the installation surface edge. Ensure that the air input outlet is located as illustrated above. The tank should be placed on a flat, level surface. Once positioned as illustrated, unpack the 14R water tank leaving the packing underneath the tank.

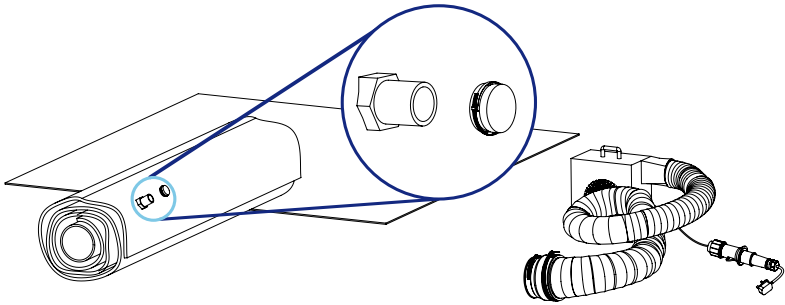
Step 2. Setup The Air Blower



Connect the 13A-16A Fly Lead Converter and the Flexible Hose to the Gibbons 1.5hp Blower. Place the Gibbons 1.5hp Blower on the same side of the air input water overflow allowing the Flexible Hose to reach and connect to the air input/water overflow.

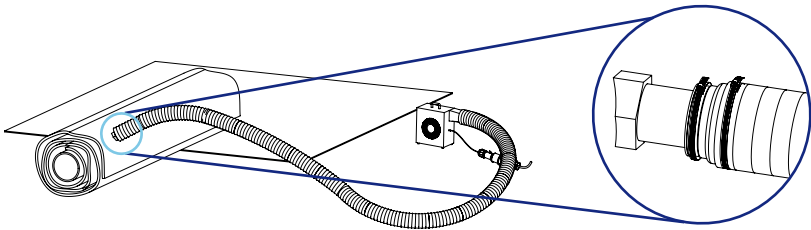
Installation Guide

Step 3. Remove The Air Input Outlet Cap



Using the **7mm Socket Driver** loosen the jubilee clip on the tank's air input outlet cap. Remove and safely store the cap and jubilee clip properly.

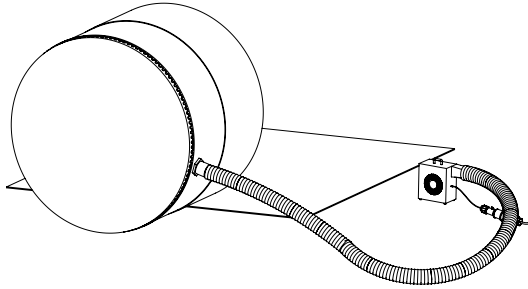
Step 4. Connect The Hose To The Air Input Outlet



Connect the **Flexible Hose** to the tank's air input outlet and tighten the jubilee clip by turning the screw with the **7mm Socket Driver**. Test the flexible hose to ensure that it is secure, ensuring that the jubilee clip connection is tight.

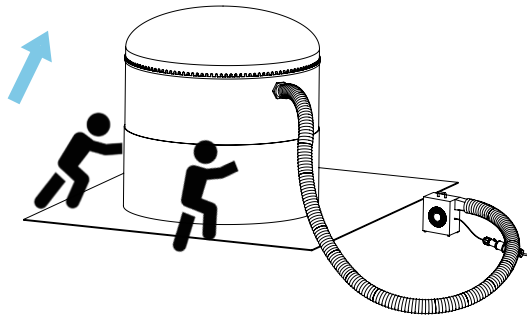
Installation Guide

Step 5. Inflate The 14,000 Litre Water Tank



Plug the Gibbons 1.5hp Blower into a 110V - 220V Electrical Supply and turn on the electricity and inflate the tank. The tank will fully inflate within 2 minutes. **Do not switch off the blower power.**

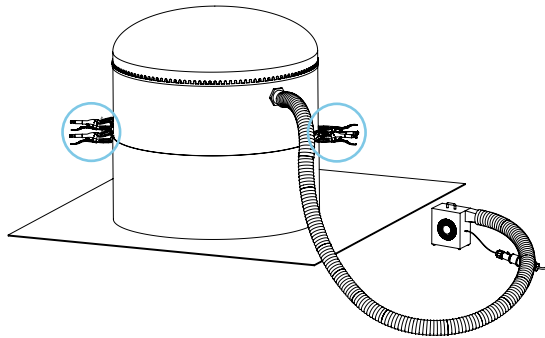
Step 6. Tilt The 14,000 Litre Water Tank



Once the tank has been fully inflated, tilt it vertically so that the bottom of the water tank touches the installation area/concrete base. **Ensure that the blower is still inflating the tank.**

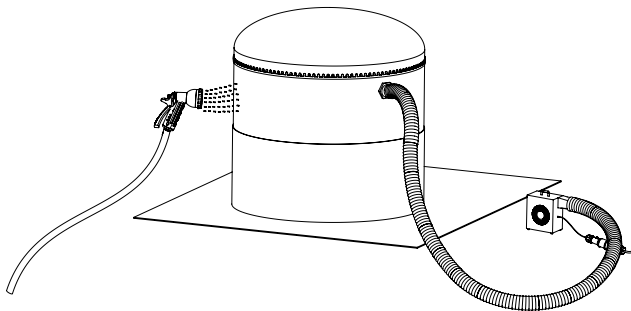
Installation Guide

Step 7. Adjust The 14,000 Litre Water Tank Position



Maneuver the water tank to the desired location and position of the inlets/outlets utilising the **Rounded Mouth Clamps** provided. Maneuver the tank by clamping 2x the rounded mouth clamps on each opposite side as illustrated. With one person pulling and rolling, and the other pushing and rolling, slowly rotate the tank to its desired location. **Ensure that the blower is still inflating the tank, and no rocks underneath.**

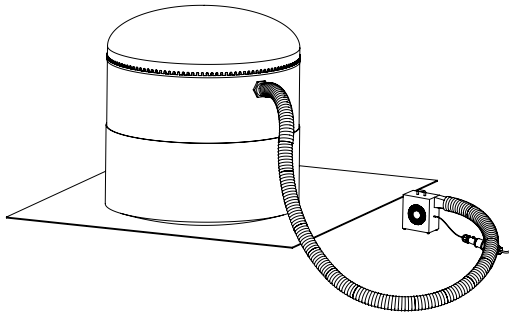
Step 8. Fully Hydrate The Entire Tank Surface



Hydrate the tank wall with a **Water Supply (Water Hose & Spray Nozzle)** ensuring that the entire tank surface is completely wet. Re-hydrate any found dry areas. **If the temperature is less than 5°C (41°F), use warm water and cover the tank with a plastic sheet. In any temperature condition, hydrate at dusk, and rehydrate 1-2 times during the following 24 hours. *Read more in the safety warning (Page3).**

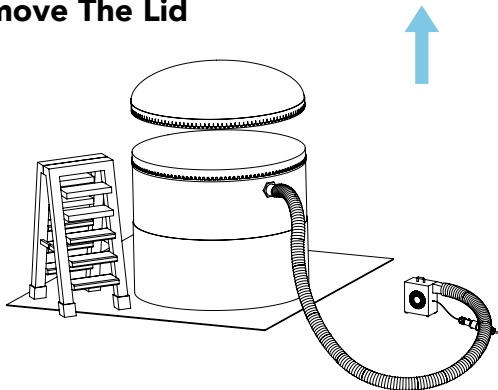
Installation Guide

Step 9. Keep Inflating The 14,000 Litre Water Tank



Monitor the **Gibbons 1.5hp Blower** and tank regularly during the following **8 hours**. Cover the blower if it is raining. After the 8-hour inflation period is complete, **check the tank** surface ensuring that the concrete canvas has hardened. If the surface is too soft, re-hydrate the entire tank surface. In 4-hours, if the surface has still not hardened, re-hydrate once more. At a maximum of 24-hours the material should be hard enough to proceed to the next step.

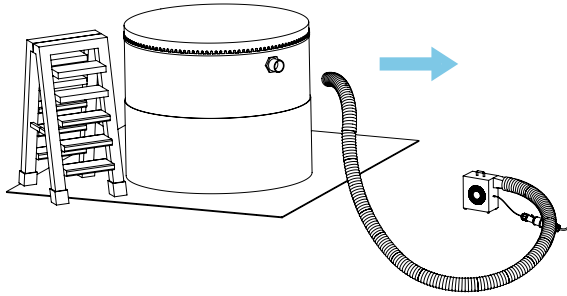
Step 10. Remove The Lid



Place the **Ladder** next to the tank and remove the lid. Once the lid has been removed safely, place it on the floor ensuring that it is not damaged or stood on. **Ensure that the blower is still inflating the tank.**

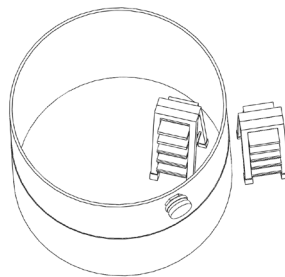
Installation Guide

Step 11. Remove The Flexible Hose



Turn off the Gibbons 1.5 hp Blower and remove the **Flexible Hose** from the water tank.

Step 12. Set Up The Second Ladder



Carefully and safely lower and place the second **Ladder** inside the tank. Ensure that the ladder is secure and that it does not move or slip. Always have someone hold a ladder while in use, preventing the base from slipping or falling. Always use both hands.

Installation Guide

Step 13. Tightening The Water Inlet And Overflow

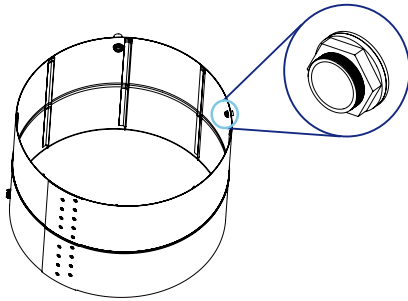


Figure 1

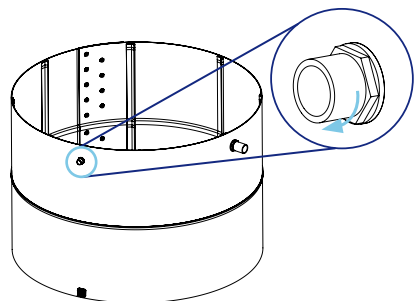
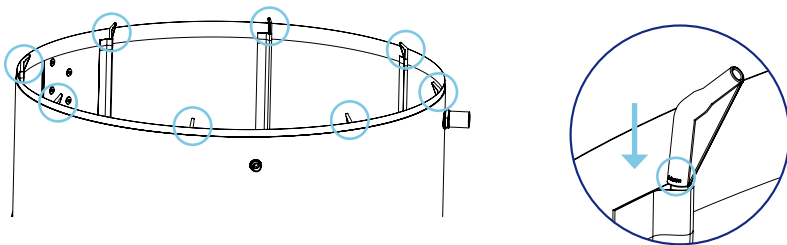


Figure 2

Ensure that the water inlet and overflow is tight utilising the **Pipe Wrench** and **Adjustable Wrench**. Use adjustable wrench to fix the inside of water inlet, as shown in *Figure 1*. Then, apply pressure to the pipe wrench in a clockwise direction whilst ensuring not to over-tighten the water inlet, as shown in *Figure 2*. Failure to properly tighten the inlet will result in leaks. (This step requires at least two people, one inside, and one outside.)

Step 14. Attach The Elbow Connectors To The Fibreglass Poles

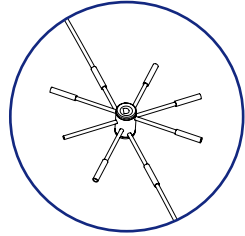
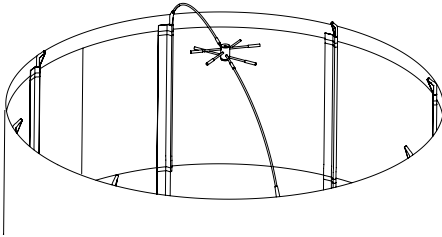


Carefully place the **8x Elbow Connectors** onto the top of the vertical fibreglass poles. Ensure that the **16mm** elbow connector side is securely connected to the 16mm vertical fibreglass poles.

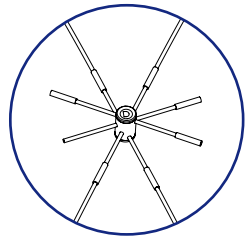
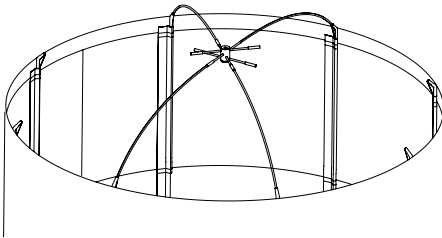
Installation Guide

Step 15. Attach The Fibreglass Poles To The Centre Hub

1



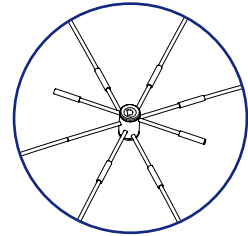
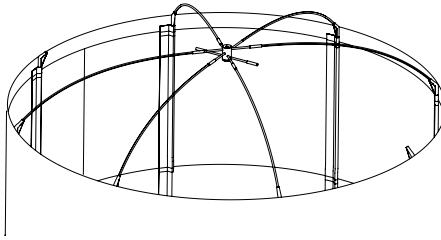
2



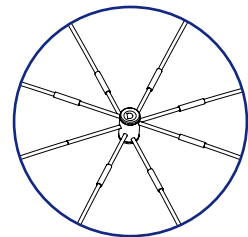
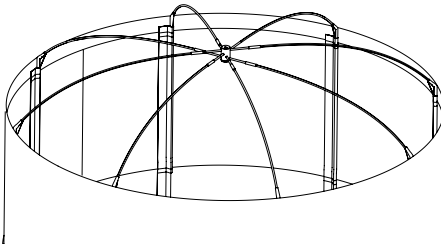
Installation Guide

Step 15. Attach The Fibreglass Poles To The Centre Hub

3



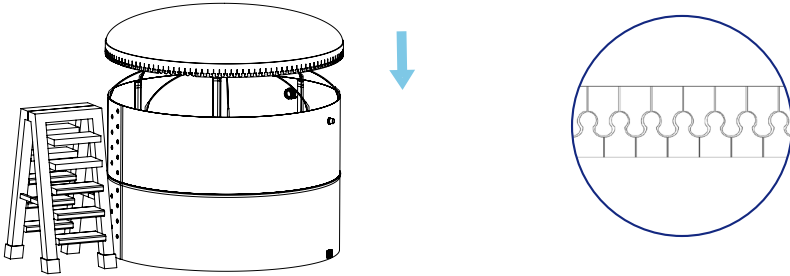
4



Connect 2x opposing **Fibreglass Poles** to 2x opposing vertical **Elbow Connectors** (installed during step 15.). Locate the **Centre Hub** on the tank's middle top and connect the 2x fibreglass poles from the elbow connectors to the centre hub. Repeat this process with each pair of **opposing poles** until complete. At the end, organise and centre the hub if necessary.

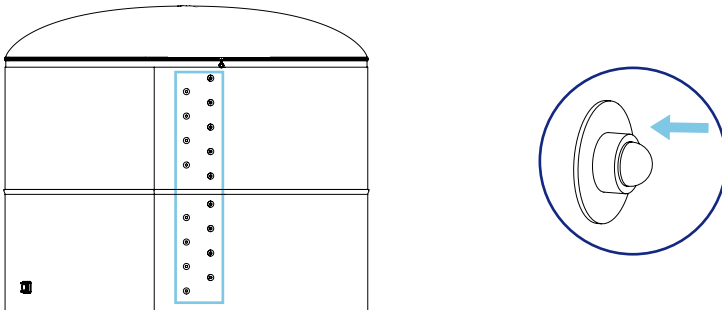
Installation Guide

Step 16. Re-attach the Tank Lid



Start by attaching one end of the Tank Lid's zipper to the corresponding end of the tank. Continue zipping the lid onto the tank until you reach the other end. Take care to ensure that the teeth of the zipper are properly interlocked. Once the lid is fully zipped onto the tank, check that the lid is securely attached to the tank.

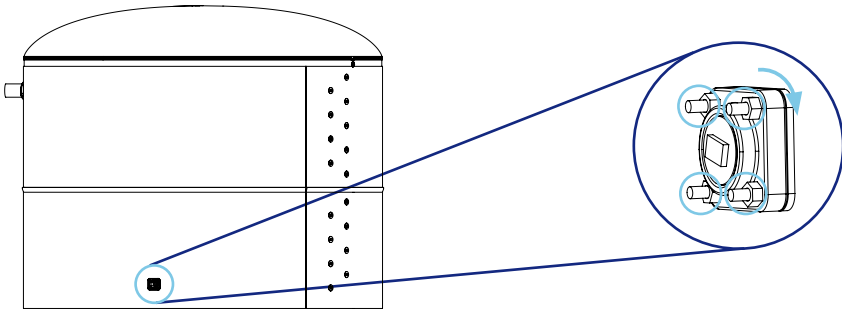
Step 17. Attach The M10 Bolt Covers



Utilising the **Wooden Mallet**, locate and place each of the **17x M10 Bolt Covers** ensuring that once installed each is flat with the below surface.

Installation Guide

Step 18. Tightening The Water Outlet



Tighten the 4x nuts on the water outlet utilising the 9/16" spanner. Be careful not to apply too much force, as this could damage the nut or the surrounding material.

Troubleshooting Guide

If any issues are experienced during installation follow the below solutions, or contact DEPLOY™ technical support via +(44) 345 548 3375. It is essential to address any issues promptly to ensure that the tank is safe and functional.

Why Is The Water Tank Not Inflating?

- Inspect the air blower to ensure that is securely connected to the hose ducting.
 - Inspect the hose and tank surface for cracks or leaks - seal them with airtight tape.
 - If you are not using the air blower provided with the additional installation kit, ensure that the chosen blower's air flow rate is higher than 1400 m³/hr.
 - If the water tank surface is still soft, please contact DEPLOY™ technical support.
-

Why Has The Water Tank Surface Not Hardened?

- The most common cause of this issue is the weather conditions during installation.

** Read more in the safety warning (Page3)*

- If the tank surface has dried but not hardened, re-hydrate the tank and inspect in 2-hours.
-

Issues Connecting The Fibreglass Poles To The Centre Hub

- The most common cause of this issue is due to the water tank not being perfectly circular. In this case, cut the fibreglass poles to size to fit the centre hub if too long.

At DEPLOY we're committed to sustainability.

That's why our water tanks are:

97% lighter

Require **75%** less water

And are **84%** faster to install

...than a traditional concrete water tank.

Contact us

(+44) 345 548 3375
info@deploytechltd.com
deploytechltd.com

Find us

Deploy Tech Ltd.
Cowbridge Road, Talbot Green
Pontyclun, Wales
CF72 8HL

Imperial College
London

