



Vertical Vari-RS Booster Set

In twin, and triple configuration with variable speed inverters

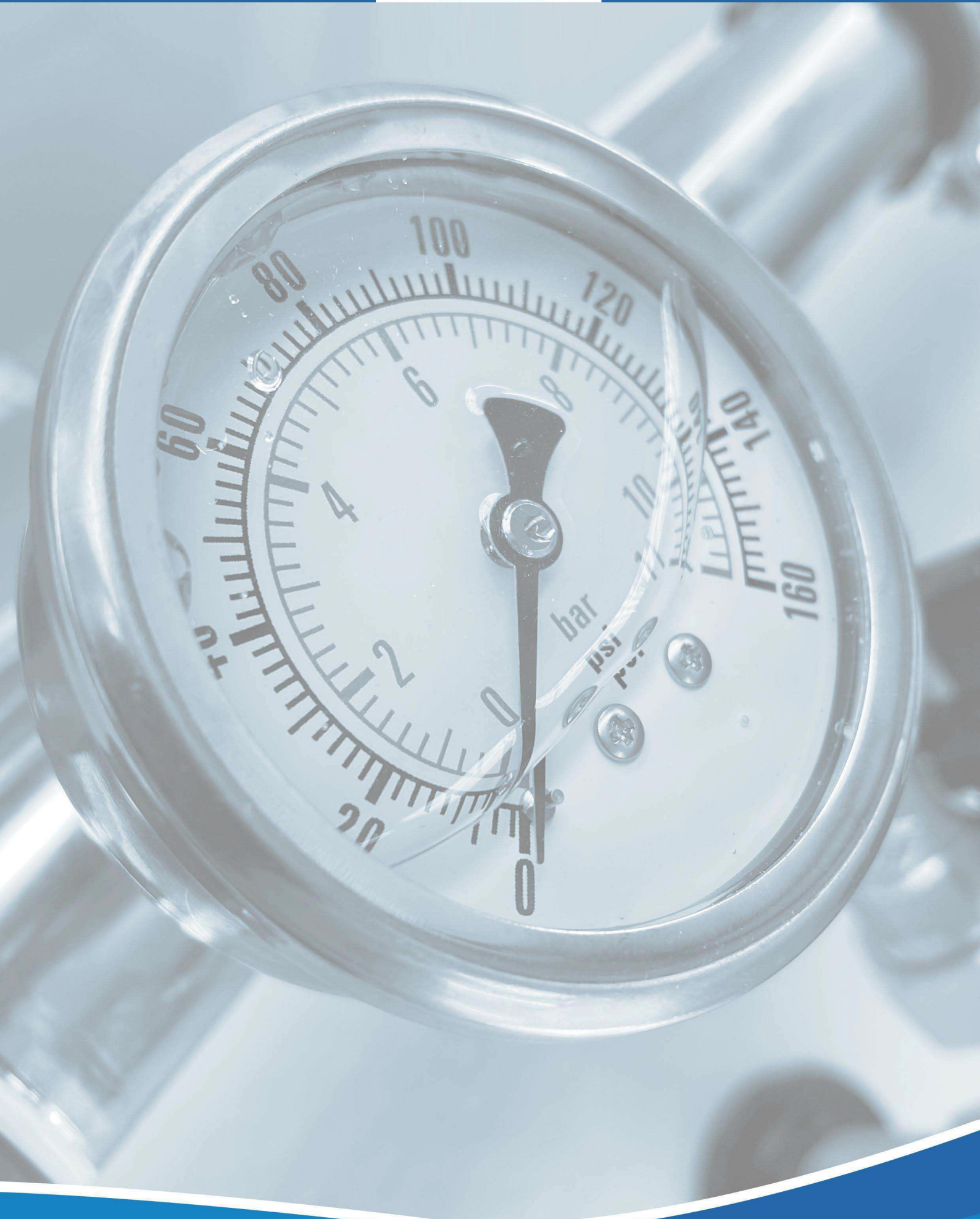


Table of Contents

Product Overview.....3

Vertical Vari-RS Features.....4

Twin Pump Technicals.....5

Triple Pump Technicals.....6

EV5 Pump Curve7

EV10 Pump Curve.....8

Pump and Vessel Specifications.....9

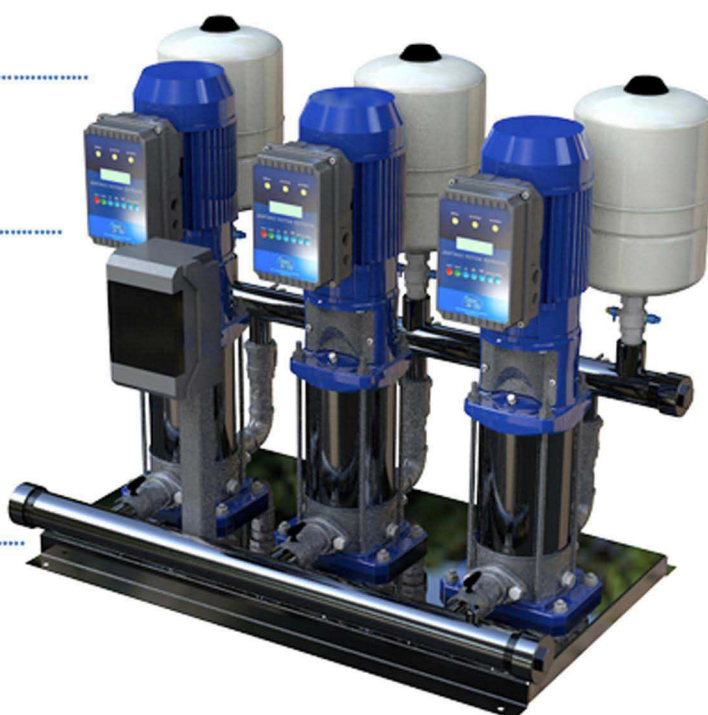


Vertical Vari-RS Booster Set Features at a Glance

WRAS APPROVED VERTICAL
MULTISTAGE PUMPS

VARIABLE SPEED INVERTERS

COMPACT FOOTPRINT
TO SAVE SPACE



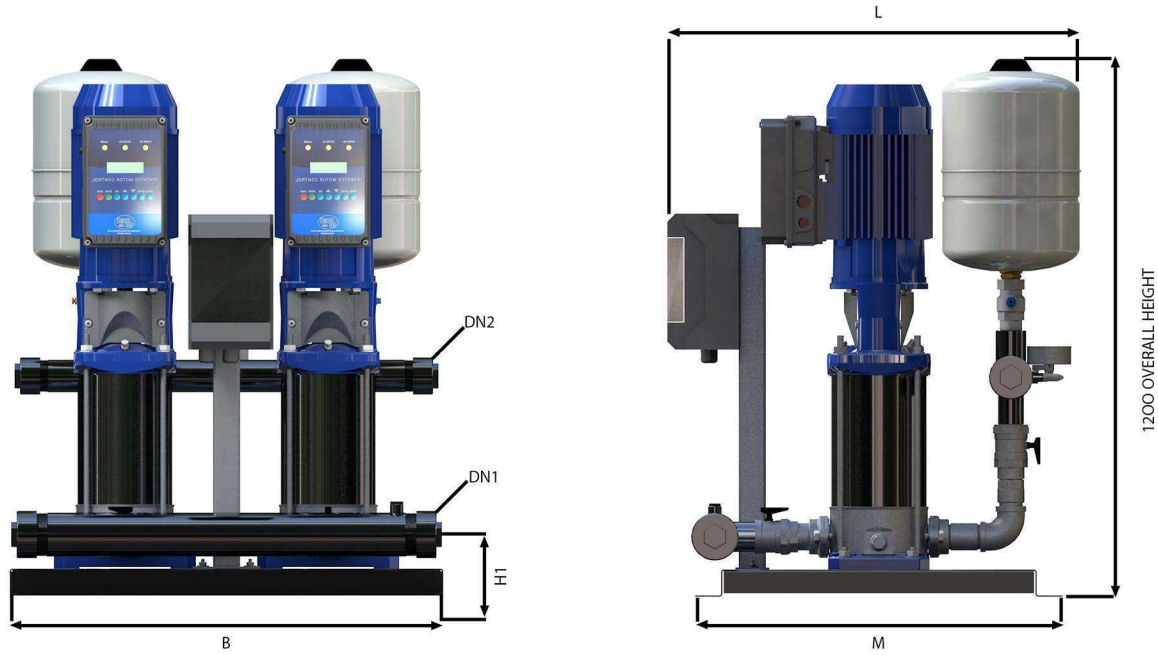
8L WRAS APPROVED
EXPANSION VESSEL

PRESSURE RANGE 4 BAR TO 14 BAR
TO MEET SPECIFIC REQUIREMENTS



Twin Vari-RS Booster Set

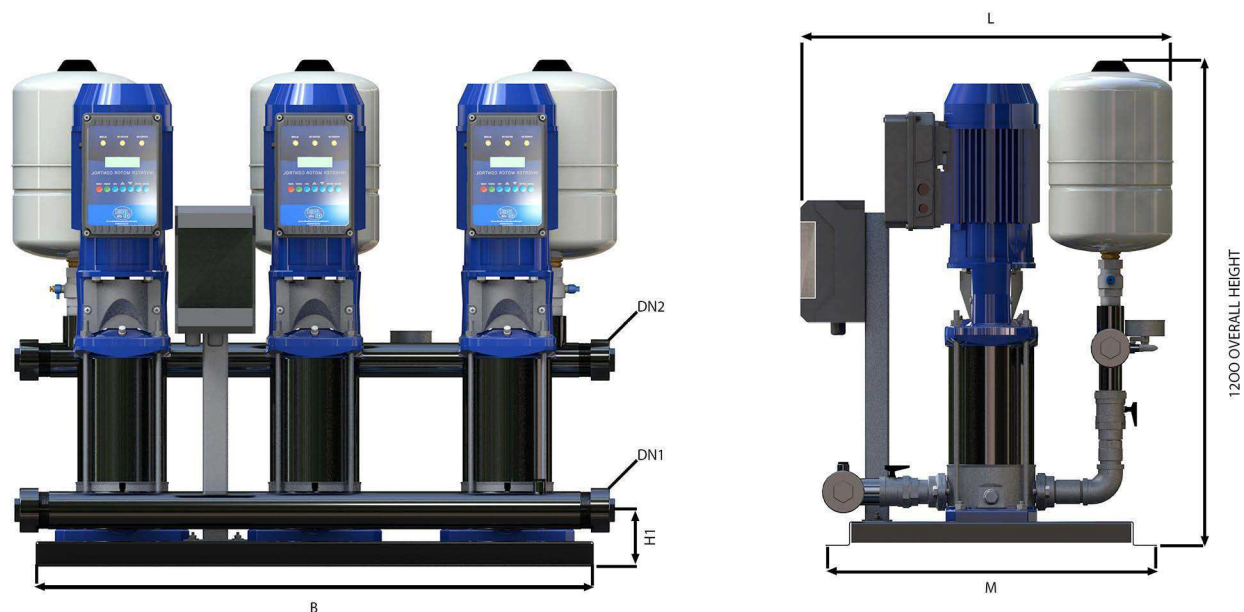
With Variable Speed Inverter



Model Ref	DN1	DN2	B	H1	L	M	Power Supply	kW	HP	FLC (amp)
2EV5-5RS/8	2"	2"	640	190	650	540	1ph 230v	2.2	3.0	6.0
2EV5-7RS/8	2"	2"	640	190	650	540	1ph 230v	3.0	4.0	11.6
2EV5-9RS/8	2"	2"	640	190	650	540	1ph 230v	3.0	4.0	16.4
2EV5-11RS/8	2"	2"	640	190	650	540	1ph 230v	4.0	5.5	16.4
2EV5-13RS/8	2"	2"	640	190	650	540	3ph 415v	5.5	7.5	12.8
2EV5-15RS/8	2"	2"	640	190	650	540	3ph 415v	5.5	7.5	12.8
2EV10-4RS/8	3"	3"	640	190	650	540	3ph 415v	3.0	4.0	16.4
2EV10-6RS/8	3"	3"	640	190	650	540	3ph 415v	4.0	5.5	16.4
2EV10-8RS/8	3"	3"	640	190	650	540	3ph 415v	5.5	7.5	12.8
2EV10-10RS/8	3"	3"	640	190	650	540	3ph 415v	7.5	10	17.4
2EV10-12RS/8	3"	3"	640	190	650	540	3ph 415v	7.5	10	20.8
2EV10-15RS/8	3"	3"	640	190	650	540	3ph 415v	11.0	15.0	20.8

Triple Vari-RS Booster Set

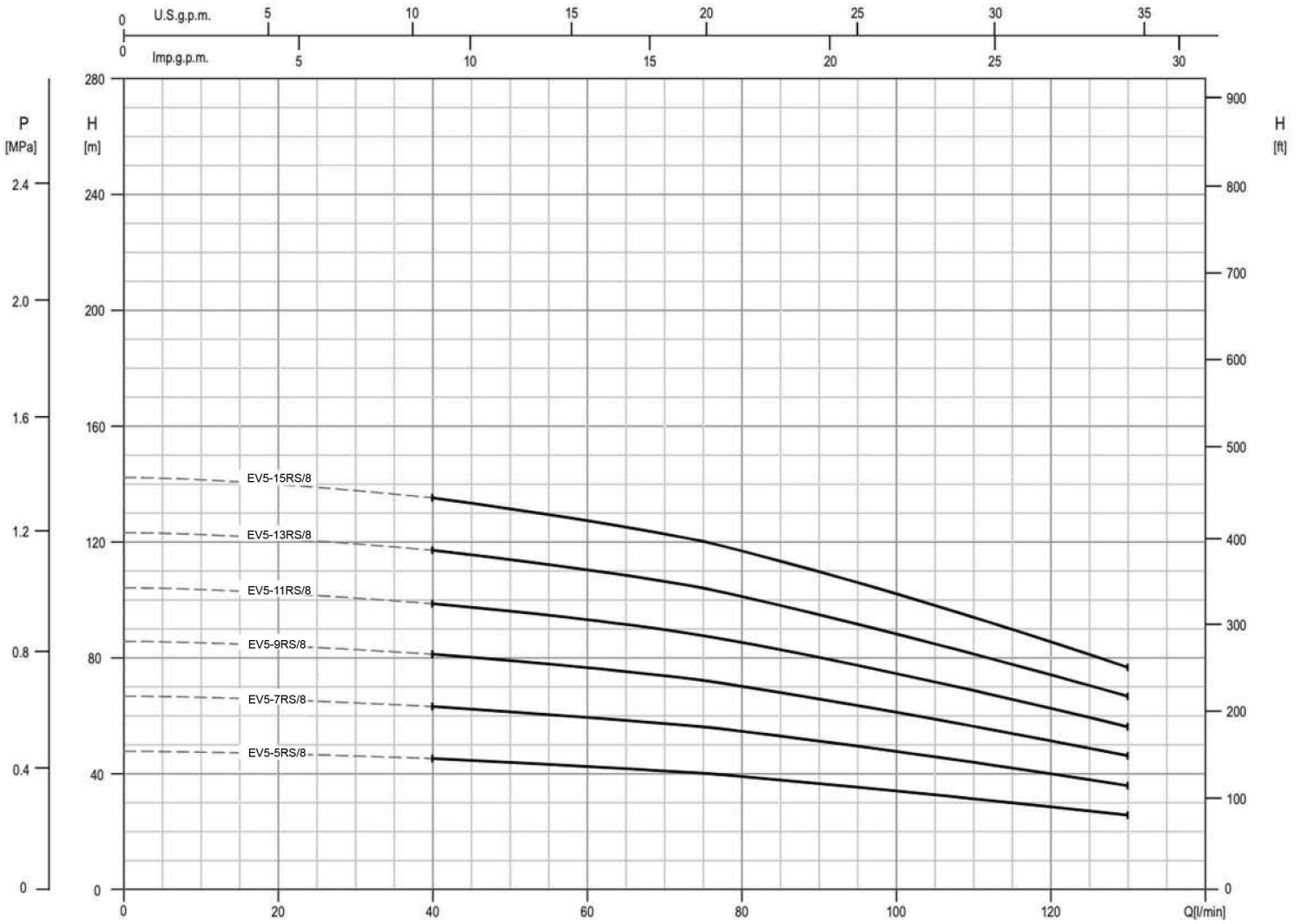
With Variable Speed Inverter



Model Ref	DN1	DN2	B	H1	L	M	Power Supply	kW	HP	FLC (amp)
3EV5-5RS/8	2"	2"	890	190	650	540	1ph 230v	2.2	3.0	9.0
3EV5-7RS/8	2"	2"	890	190	650	540	1ph 230v	3.0	4.0	17.4
3EV5-9RS/8	2"	2"	890	190	650	540	1ph 230v	3.0	4.0	24.6
3EV5-11RS/8	2"	2"	890	190	650	540	1ph 230v	4.0	5.5	24.6
3EV5-13RS/8	2"	2"	890	190	650	540	3ph 415v	5.5	7.5	19.2
3EV5-15RS/8	2"	2"	890	190	650	540	3ph 415v	5.5	7.5	19.2
3EV10-4RS/8	3"	3"	890	190	650	540	3ph 415v	3.0	4.0	24.6
3EV10-6RS/8	3"	3"	890	190	650	540	3ph 415v	4.0	5.5	24.6
3EV10-8RS/8	3"	3"	890	190	650	540	3ph 415v	5.5	7.5	19.2
3EV10-10RS/8	3"	3"	890	190	650	540	3ph 415v	7.5	10.0	26.1
3EV10-12RS/8	3"	3"	890	190	650	540	3ph 415v	7.5	10.0	31.2
3EV10-15RS/8	3"	3"	890	190	650	540	3ph 415v	11.0	15.0	31.2

EV5 Vertical Vari-RS Booster Set

Individual Pump Curve

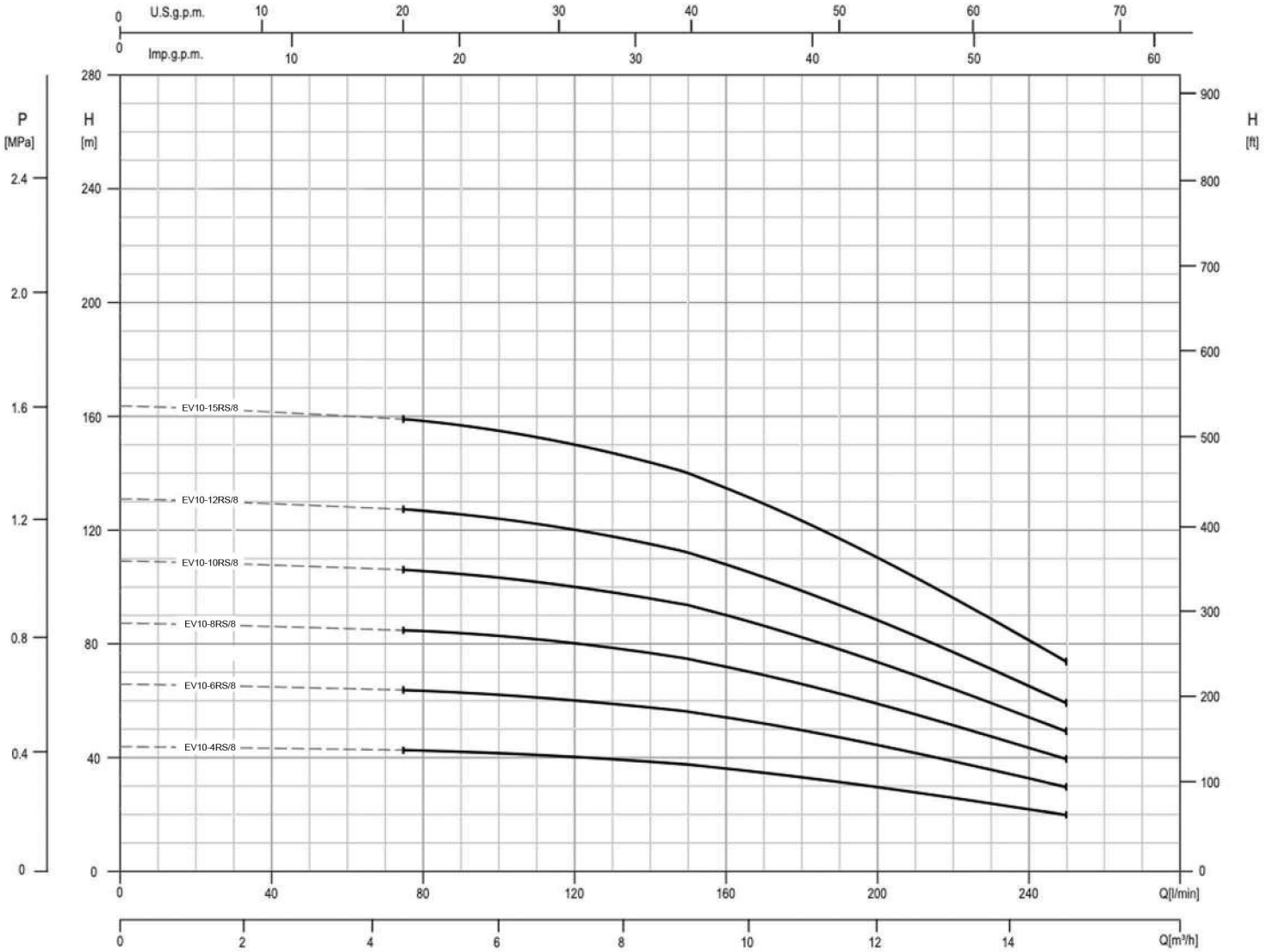


All systems set at mid curve efficiency during first activation on wet test using the RS variable speed inverter at closed valve up to max pressure. The performance curves are based on kinematic viscosity values = 1/mm²/s and density equivalent to 1000kg/m³.

Curve tolerance according to ISO9906, data extracted directly from Ebara data. Each pump operates within a 60-65dB noise rating at max speed, data recorded from 1m distance to a +- 2.5dB fluctuation.

EV10 Vertical Vari-RS Booster Set

Individual Pump Curve



All systems set at mid curve efficiency during first activation on wet test using the RS variable speed inverter at closed valve up to max pressure. The performance curves are based on kinematic viscosity values = 1/mm²/s and density equivalent to 1000kg/m³.

Curve tolerance according to ISO9906, data extracted directly from Ebara data. Each pump operates within a 60-65dB noise rating at max speed, data recorded from 1m distance to a +- 2.5dB fluctuation.

