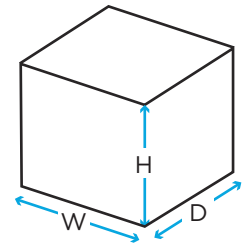


Triple IBC Spill Pallet

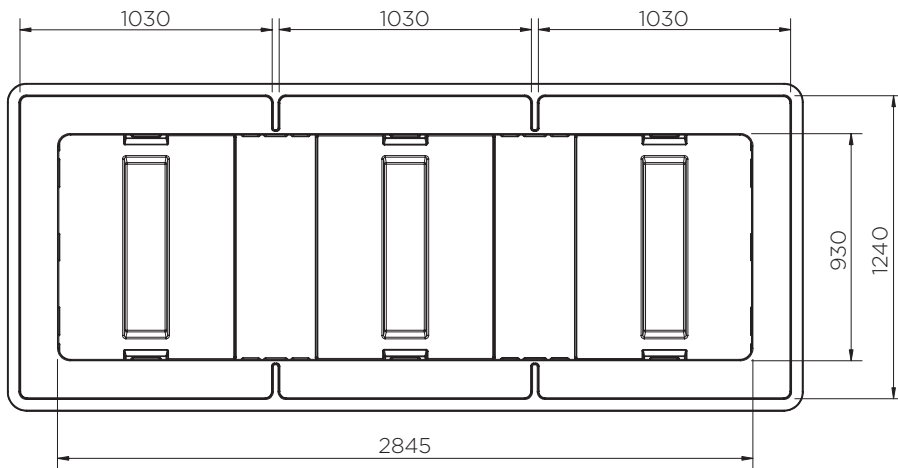
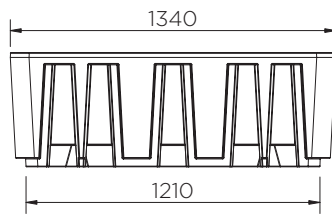
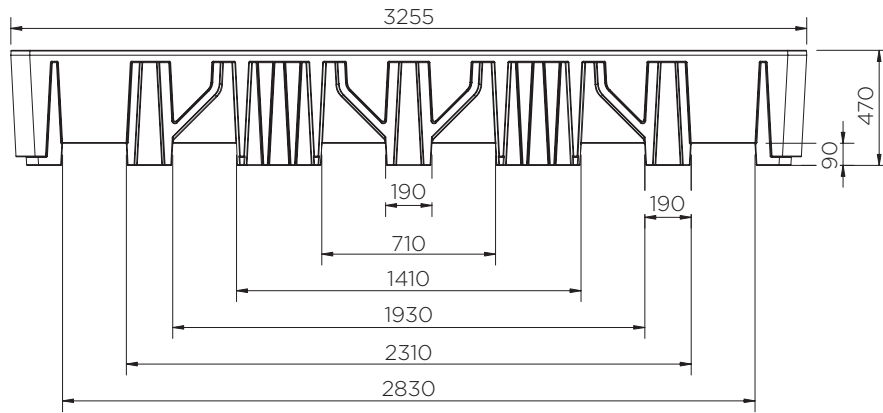
Technical Data



	Colour	H x W x D (mm)	Weight (kg)	Capacity (l)	Max. load (kg)	DIBt
SJ-535-BK/D	●	470 x 3255 x 1340	86	1000	4500	Z-40.22-451

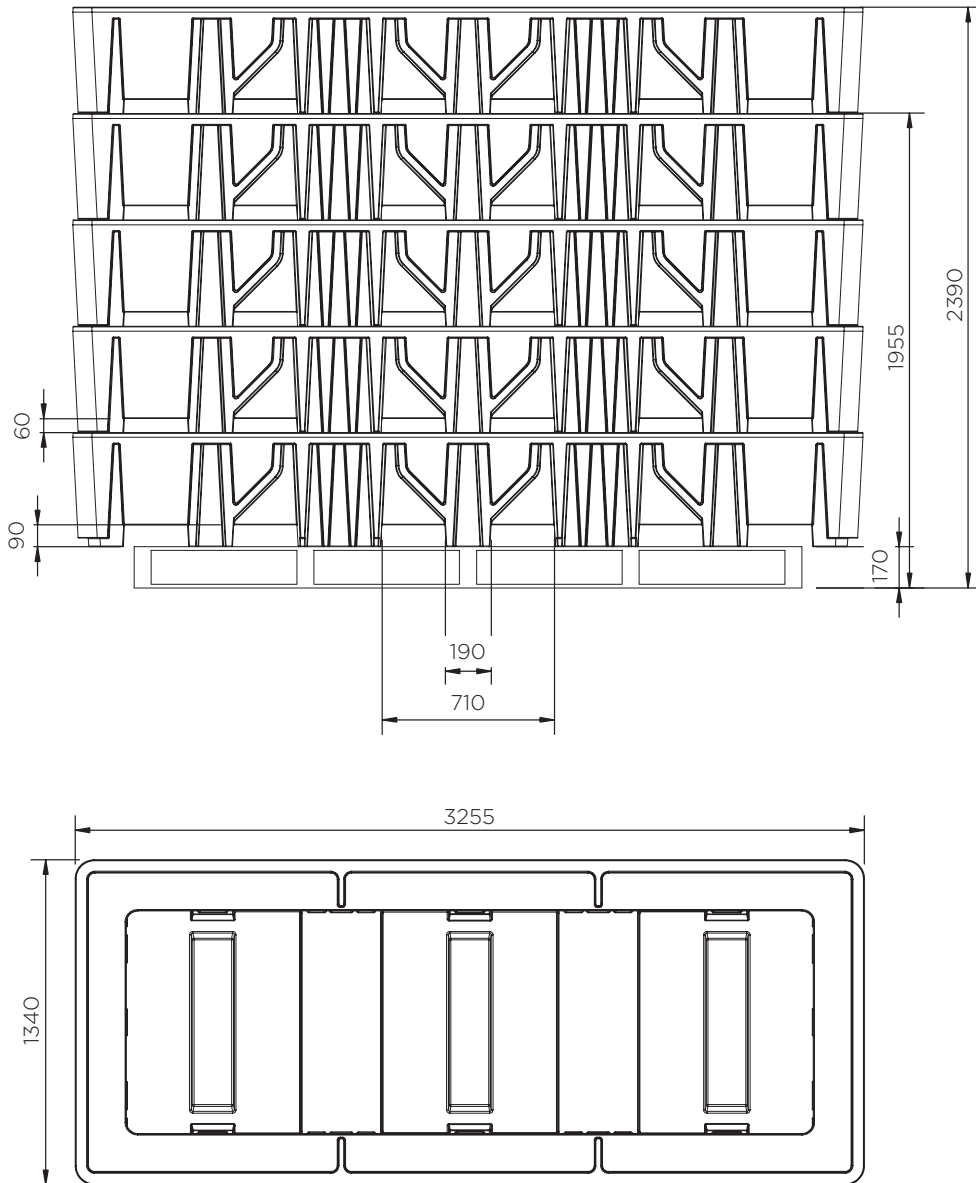
Triple IBC Spill Pallet

Technical Data



Triple IBC Spill Pallet

Technical Data



- 4 /5 pieces per pallet
- 4 per stack for a standard height of 20ft or 40ft containers
- 5 per stack for 13.6m trailer and high cude containers

The information is to our best knowledge true and accurate but all recommendations or suggestions are made without guarantee.