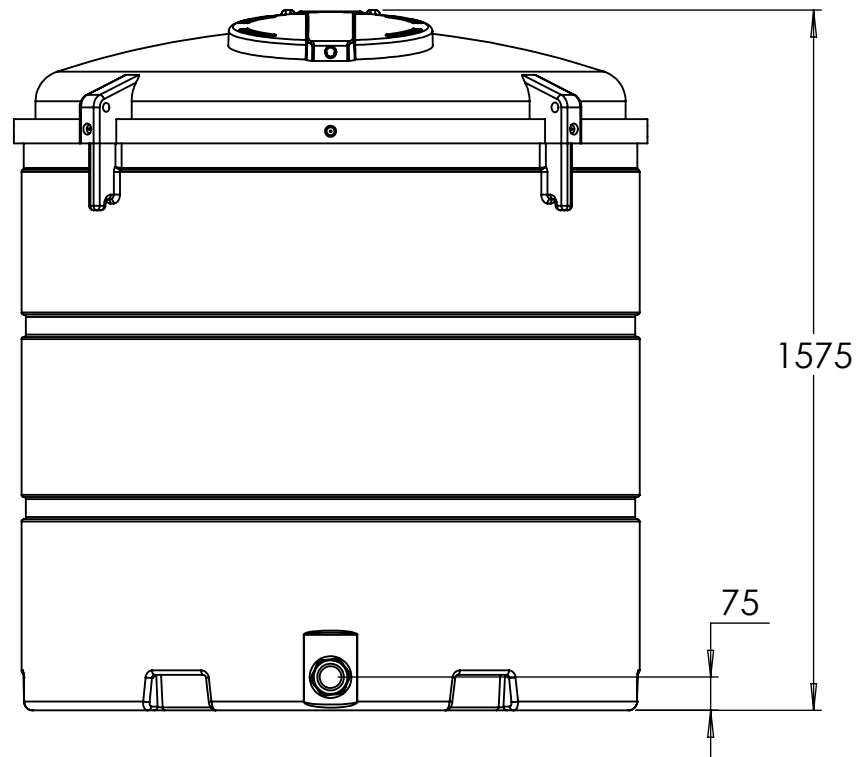
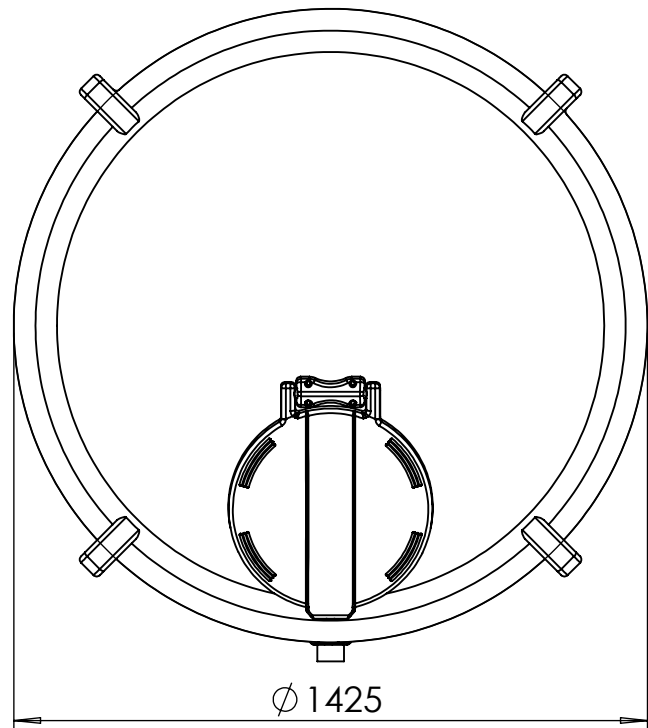


V1675WST




Lockable Inspection Lid



2" BSP OUTLET

NOTE:
1. BRIMFILL CAPACITY: 2052 LITRES

UNLESS OTHERWISE SPECIFIED DIMENSIONS ARE IN MM. TOLERANCES ARE: NO DECIMAL ± 2 .X ± 0.3 ANGLES .XX ± 0.10 $\pm 0^\circ 30'$	DRAWN	DATE	Deso Engineering Ltd Slade Way, Williton, Taunton TA4 4TA TEL: 01984 632026 email: sales@desoengineering.co.uk							
	OF	19 Jul 2023								
SCALE	APPROVED		V1675 WATER TANK							
MATERIAL										
MASS (Kg)			<table border="1"> <tr> <td>SIZE</td> <td>DRAWING NO.</td> <td>REV.</td> </tr> <tr> <td>A3</td> <td>V1675WST</td> <td>01</td> </tr> </table>		SIZE	DRAWING NO.	REV.	A3	V1675WST	01
SIZE	DRAWING NO.	REV.								
A3	V1675WST	01								
CAD GENERATED DRAWING, DO NOT MANUALLY UPDATE 3RD ANGLE PROJECTION DO NOT SCALE DRAWING				IF IN DOUBT - ASK.						
				SHEET 1 OF 1						

Please Check with Kingspan Water & Energy Ltd For The Latest Issue Of This Drawing