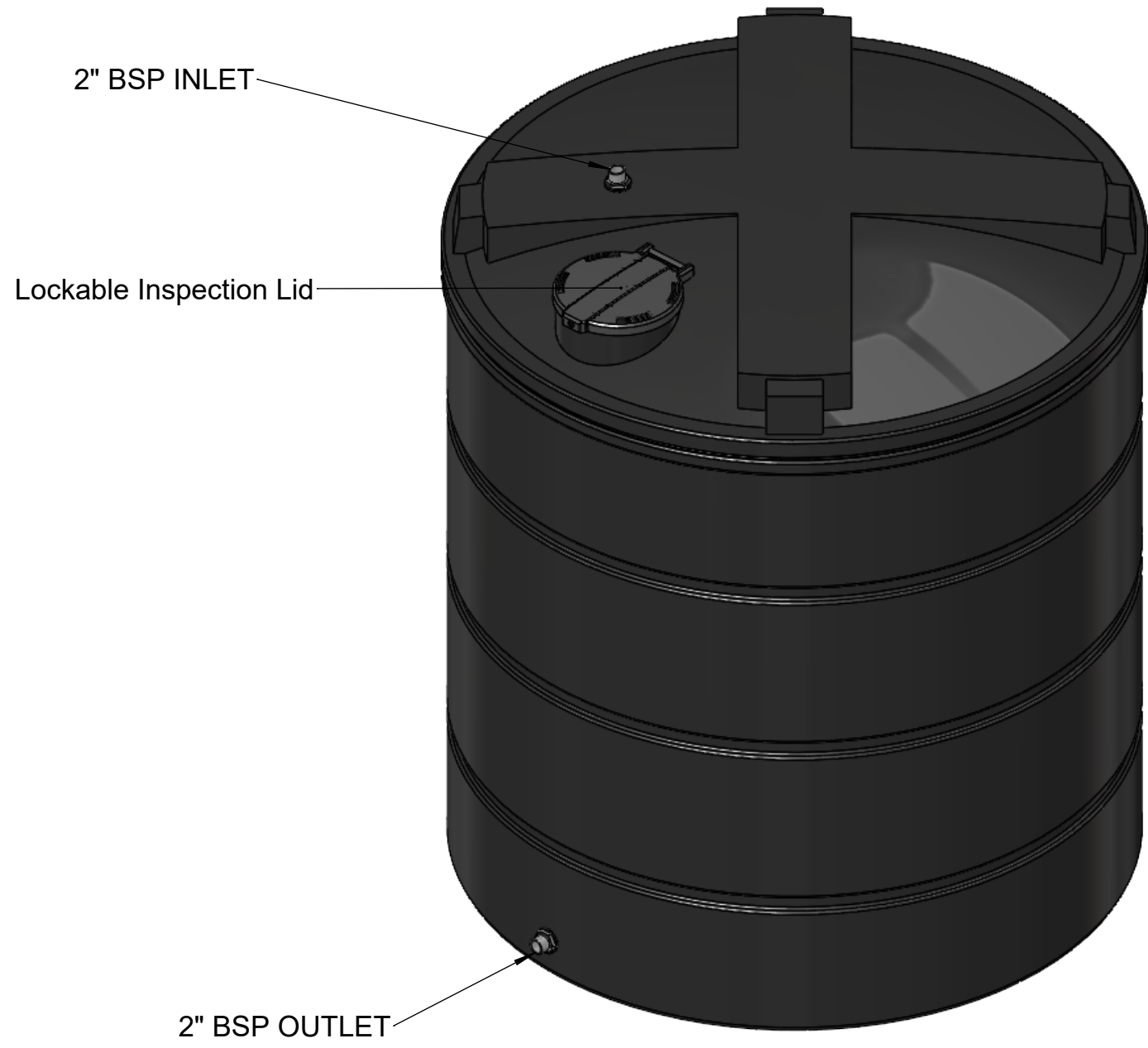
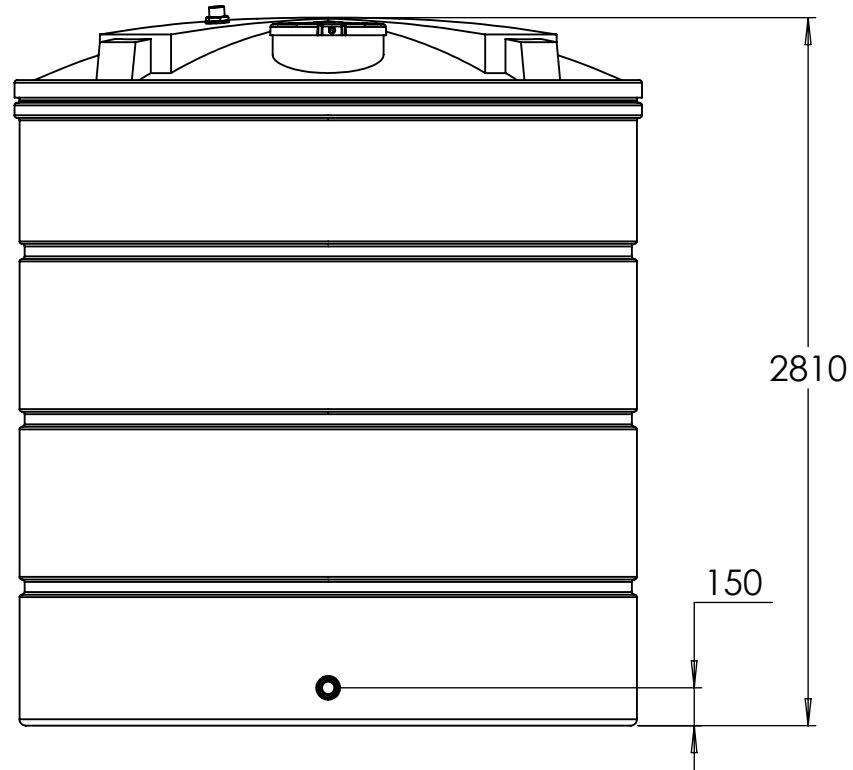
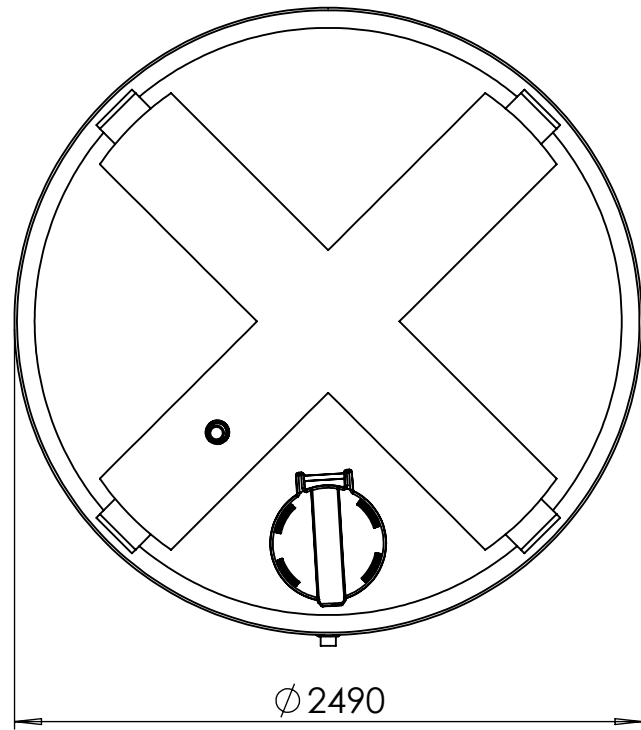


V12000PWST



- NOTE:**
- BRIMFILL CAPACITY: 12,933 LITRES
 - ROTMOLDED FROM WRAS APPROVED POLYETHYLENE

UNLESS OTHERWISE SPECIFIED DIMENSIONS ARE IN MM. TOLERANCES ARE: NO DECIMAL ±2 .X ±0.3 ANGLES .XX ±0.10 ±0° 30'	DRAWN	DATE	Deso Engineering Ltd Slade Way, Williton, Taunton TA4 4TA TEL: 01984 632026 email: sales@desoengineering.co.uk		
	OF	31 Jul 2023			
SCALE	APPROVED		V12000 POTABLE WATER TANK		
MATERIAL					
MASS (Kg)					
CAD GENERATED DRAWING, DO NOT MANUALLY UPDATE 3RD ANGLE PROJECTION DO NOT SCALE DRAWING			SIZE	DRAWING NO.	REV.
			A3	V12000PWST	01
			IF IN DOUBT - ASK.		SHEET 1 OF 1

Please Check with Kingspan Water & Energy Ltd For The Latest Issue Of This Drawing