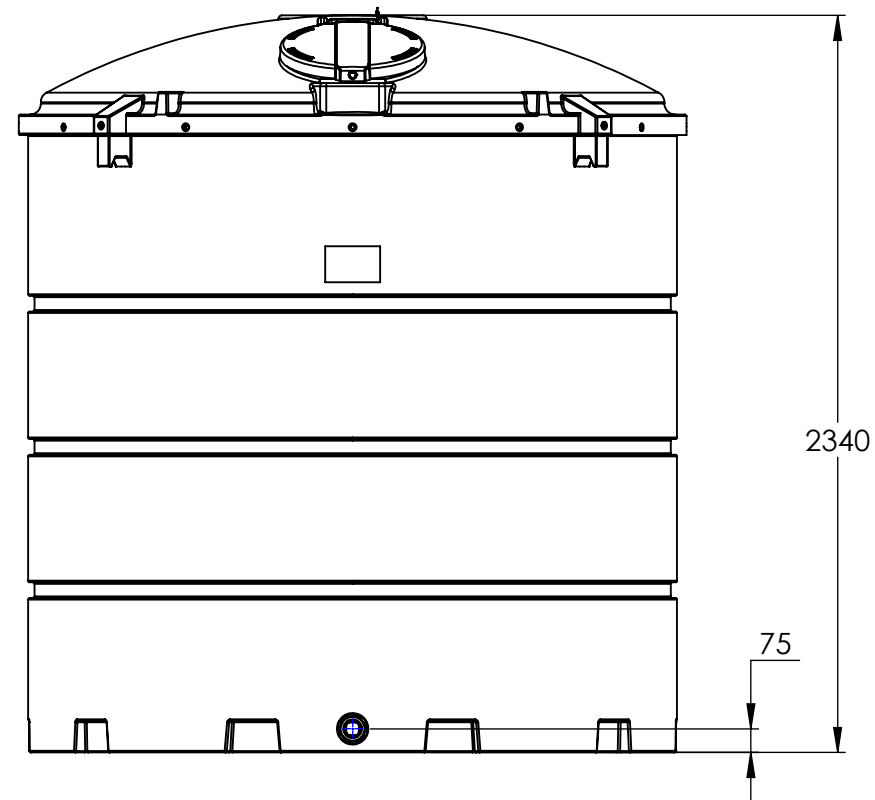
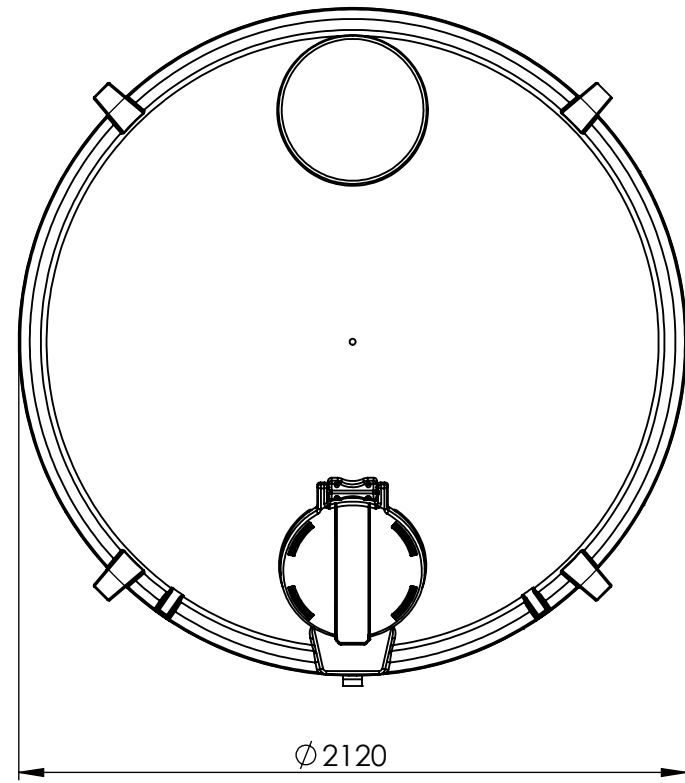


V6250WST




Lockable Inspection Lid



2" BSP OUTLET

NOTE:
1. BRIMFILL CAPACITY: 6909 LITRES

UNLESS OTHERWISE SPECIFIED DIMENSIONS ARE IN MM. TOLERANCES ARE: NO DECIMAL $\pm(1 + 5\%)$.X ± 0.3 .XX ± 0.10	DRAWN	DATE	Deso Engineering Ltd Slade Way, Williton, Taunton TA4 4TA TEL: 01984 632026 email: sales@desoengineering.co.uk	
	OF	20 Feb 2023		
SCALE	APPROVED		V6250 WATER TANK	
MATERIAL				
MASS (Kg)	142			
CAD GENERATED DRAWING, DO NOT MANUALLY UPDATE 3RD ANGLE PROJECTION DO NOT SCALE DRAWING				

Please Check with Kingspan Water & Energy Ltd For The Latest Issue Of This Drawing