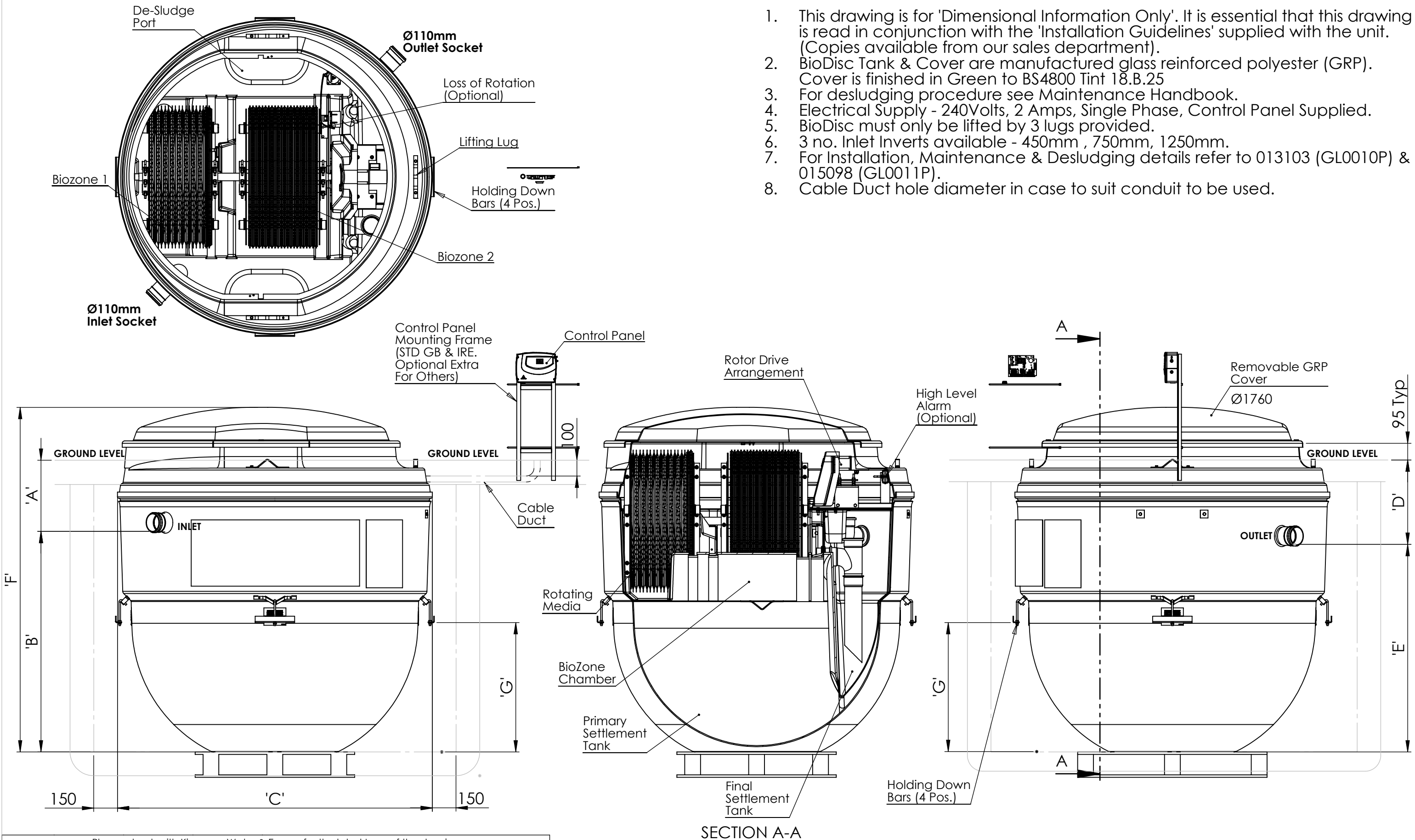
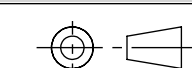


**Notes:**

1. This drawing is for 'Dimensional Information Only'. It is essential that this drawing is read in conjunction with the 'Installation Guidelines' supplied with the unit. (Copies available from our sales department).
2. BioDisc Tank & Cover are manufactured glass reinforced polyester (GRP). Cover is finished in Green to BS4800 Tint 18.B.25
3. For desludging procedure see Maintenance Handbook.
4. Electrical Supply - 240Volts, 2 Amps, Single Phase, Control Panel Supplied.
5. BioDisc must only be lifted by 3 lugs provided.
6. 3 no. Inlet Inverts available - 450mm, 750mm, 1250mm.
7. For Installation, Maintenance & Desludging details refer to 013103 (GL0010P) & 015098 (GL0011P).
8. Cable Duct hole diameter in case to suit conduit to be used.



**SECTION A-A**

Please check with Kingspan Water & Energy for the latest Issue of the drawing				
Issue	Date	Drawn By	Approved By	Description
06	19/12/2022	TGY		ECN 1641 - Access Size Added
05	30/10/2015	L.Steward		CC1241 - 1.0m Invert Option Included For Europe/ ROW
All Dimensions In mm		Scale: Do Not Scale		 Third Angle Projection
A:\Wastewater\Engineering\Drawing Data\02 - Sales Drawings\DS\DS - 11\DS1146P				

LN Number :	Tolerance (unless stated) :
Finish :	Thickness : n/a
Weight : 567.24 Kg	Surface Area : m <sup>2</sup>
Modelled By : Name	Material : Various
Kingspan Water & Energy reserve the right to alter the details of this drawing without prior notice. This drawing is copyright and may not be reproduced or used without the written permission of Kingspan Water & Energy	

**Drawing : DS1146P** Page 1 of 3

BA BioDisc General Assembly



## BA Gravity BioDisc Dimension & Weight Chart (\*\*All Markets\*\*)

Unit Dimension Chart (Gravity Systems).								
Dim 'A' (mm)	Dim 'B' (mm)	Dim 'C' (mm)	Dim 'D' (mm)	Dim 'E' (mm)	Dim 'F' (mm)	Dim 'G' (mm)	Dry Weight (Incl. Pallet) (Kgs)	Full Weight (Exclud. Pallet) (Kgs)
450	1400	1995	535	1315	2160	820	310	3290
750	1400	1995	835	1315	2460	820	325	3305
1250	1400	1995	1335	1315	2960	820	380	3360

## BAX & BB Gravity BioDisc Dimension & Weight Chart (\*\*All Markets Except France\*\*)

Unit Dimension Chart (Gravity Systems).								
Dim 'A' (mm)	Dim 'B' (mm)	Dim 'C' (mm)	Dim 'D' (mm)	Dim 'E' (mm)	Dim 'F' (mm)	Dim 'G' (mm)	Dry Weight (Incl. Pallet) (Kgs)	Full Weight (Exclud. Pallet) (Kgs)
450	1400	1995	535	1315	2160	820	335	3315
750	1400	1995	835	1315	2460	820	350	3330
1250	1400	1995	1335	1315	2960	820	405	3385

## BB Gravity BioDisc Dimension & Weight Chart (\*\*France Only\*\*)

Unit Dimension Chart (Gravity Systems).								
Dim 'A' (mm)	Dim 'B' (mm)	Dim 'C' (mm)	Dim 'D' (mm)	Dim 'E' (mm)	Dim 'F' (mm)	Dim 'G' (mm)	Dry Weight (Incl. Pallet) (Kgs)	Full Weight (Exclud. Pallet) (Kgs)
450	1650	1995	535	1565	2410	1070	355	3335
750	1650	1995	835	1565	2710	1070	370	3350
1250	1650	1995	1335	1565	3210	1070	425	3405

LN Number :

Finish :

Weight :

Modelled By :

Tolerance (unless stated) :

Thickness :

Surface Area : m<sup>2</sup>

Material :

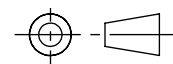
**Drawing : DS1146P**

Page 2 of 3

BA BioDisc General Assembly

All Dimensions In mm

Scale: Do Not Scale



Third Angle Projection

Kingspan Water & Energy reserve the right to alter the details of this drawing without prior notice. This drawing is copyright and may not be reproduced or used without the written permission of Kingspan Water & Energy



**BA Gravity BioDisc 1.0m Invert Dimension & Weight Chart (\*\*Europe & ROW Only\*\*)**

Unit Dimension Chart (Gravity Systems).								
Dim 'A' (mm)	Dim 'B' (mm)	Dim 'C' (mm)	Dim 'D' (mm)	Dim 'E' (mm)	Dim 'F' (mm)	Dim 'G' (mm)	Dry Weight (Incl. Pallet) (Kgs)	Full Weight (Exclud. Pallet) (Kgs)
1000	1400	1995	1085	1315	2730	820	345	3325

**BB Gravity BioDisc 1.0m Invert Dimension & Weight Chart (\*\*Europe & ROW Only\*\*)**

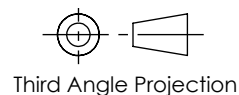
Unit Dimension Chart (Gravity Systems).								
Dim 'A' (mm)	Dim 'B' (mm)	Dim 'C' (mm)	Dim 'D' (mm)	Dim 'E' (mm)	Dim 'F' (mm)	Dim 'G' (mm)	Dry Weight (Incl. Pallet) (Kgs)	Full Weight (Exclud. Pallet) (Kgs)
1000	1400	1995	1085	1315	2730	820	373	3350

**BB Gravity BioDisc 1.0m Invert Dimension & Weight Chart (\*\*France Only\*\*)**

Unit Dimension Chart (Gravity Systems).								
Dim 'A' (mm)	Dim 'B' (mm)	Dim 'C' (mm)	Dim 'D' (mm)	Dim 'E' (mm)	Dim 'F' (mm)	Dim 'G' (mm)	Dry Weight (Incl. Pallet) (Kgs)	Full Weight (Exclud. Pallet) (Kgs)
1000	1650	1995	1085	1565	2980	820	373	3350

LN Number :	Tolerance (unless stated) :	<b>Drawing : DS1146P</b>	Page 3 of 3
Finish :	Thickness :		
Weight :	Surface Area : m <sup>2</sup>		
Modelled By :	Material :		

All Dimensions In mm      Scale: Do Not Scale



Kingspan Water & Energy reserve the right to alter the details of this drawing without prior notice. This drawing is copyright and may not be reproduced or used without the written permission of Kingspan Water & Energy

