



Vari-RS Grundfos Booster Set

In single, twin, and triple configuration with
variable speed inverters

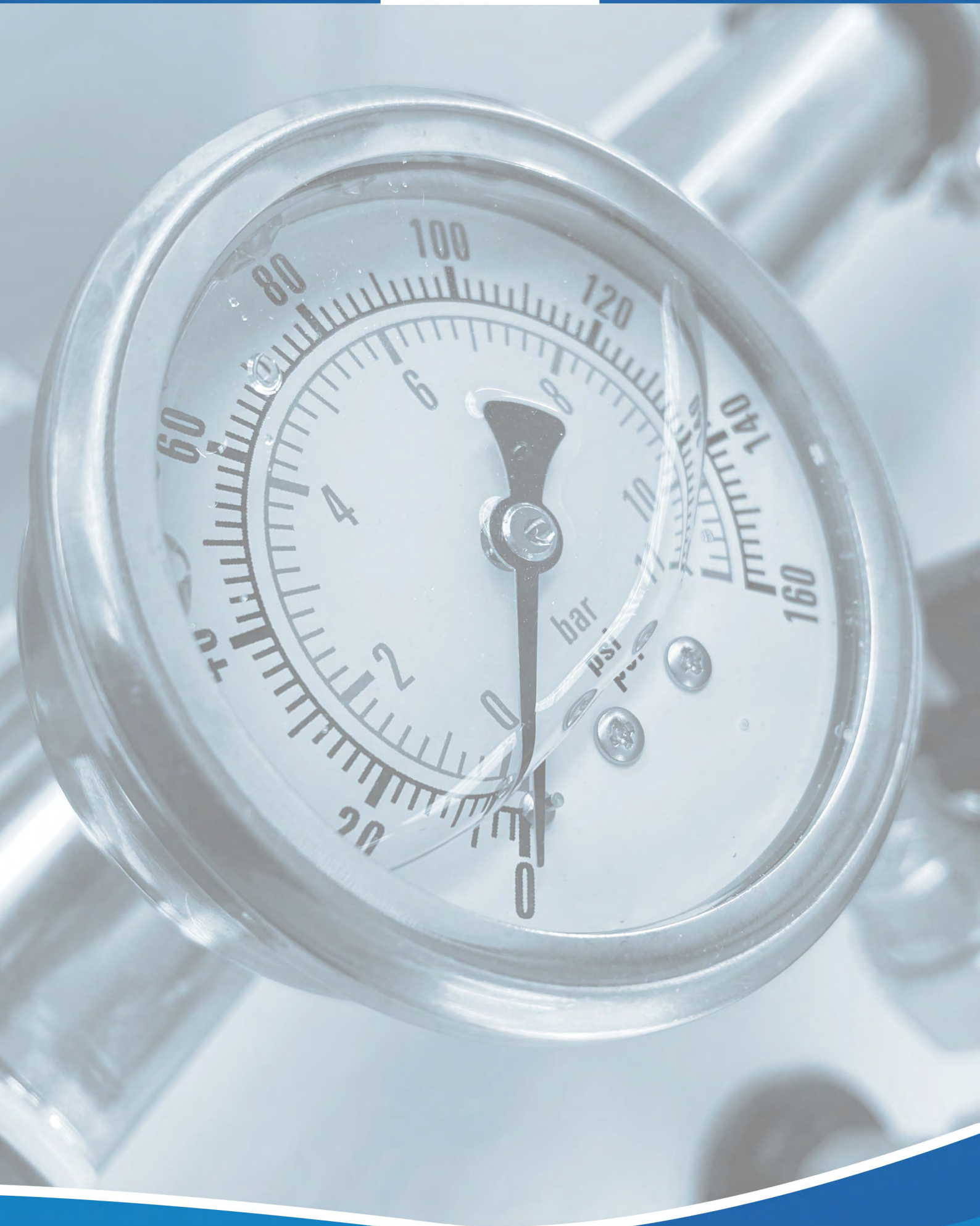
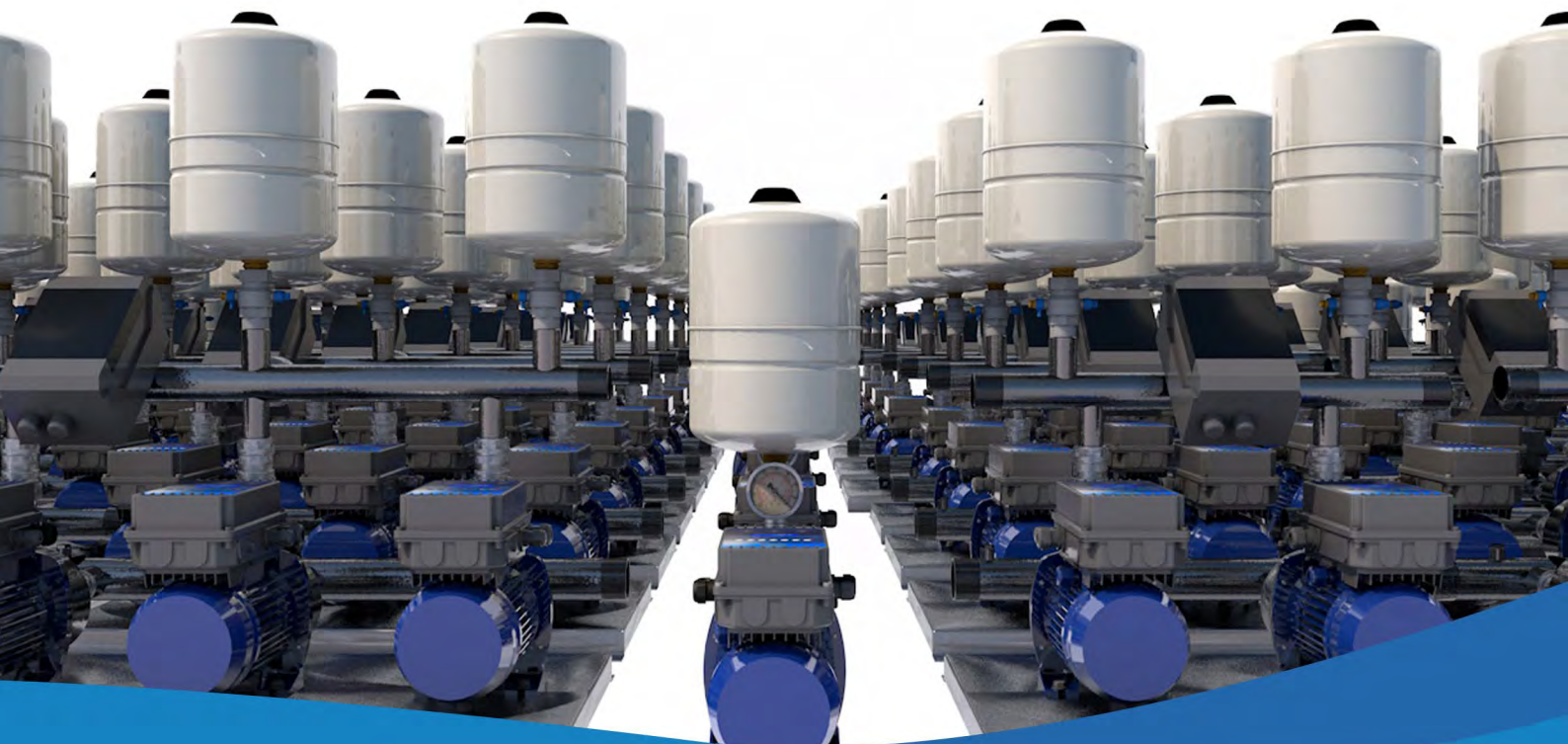


Table of Contents

Product Overview.....	2
Vari-RS Features.....	3
Single Pump Technicals.....	4
Twin Pump Technicals.....	5
Triple Pump Technicals.....	6
Pump Curves (Single).....	7
Pump Curves (Twin).....	8
Pump Curves (Triple).....	9
Pump and Vessel Specifications.....	10



Product Overview

The Vari-RS Booster Set is a compact and cost-effective cold water booster set ideal for residential and light commercial installations. Despite its compact design, the Vari-RS Booster Set includes advanced features normally found on larger booster sets including fault signals and an error code display as standard.

Product Application Examples

- ▶ Building services
- ▶ Air conditioning
- ▶ Heating
- ▶ Water lifting and handling
- ▶ Irrigation
- ▶ Washing systems



Operation

The Vari-RS cold water booster set uses the RS variable speed inverter and is installed onto the Motor Connection Box of each pump in the set. The inverter regulates the rotational speed of the pump using the electrical frequency. The inverter operates at a minimal value that meets the users demand.

In simple terms, once the pressure drops, the inverter recognises the drop in pressure and instructs the pumps to increase speed in order to meet the proportional demand.

The RS inverter works in a "master/slave" arrangement and shares the operational duty in 60 minute cycles, this ensures joint usage across the system.

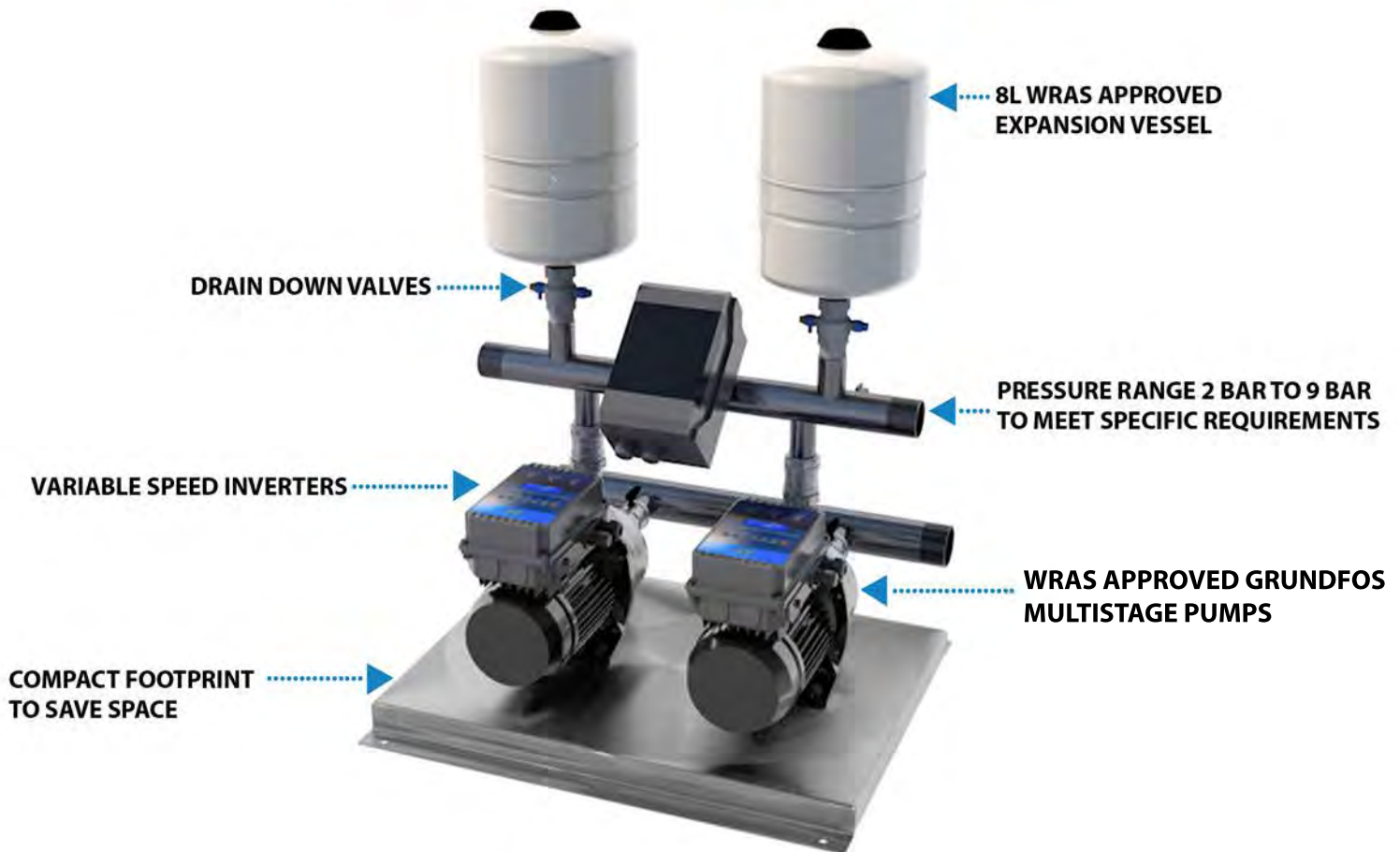
Tank Options

Direct Pumps and Tanks provide a vast array of WRAS approved cold water storage tanks, brass equilibrium ball valves, GRP enclosures for external housing of the booster system.

These enclosures can come fully insulated with encapsulated base boards for added thickness and stability and even drip trays, complete with overflow by-laws and CAT 4 (AG) or 5 (AB) air gap water protection.

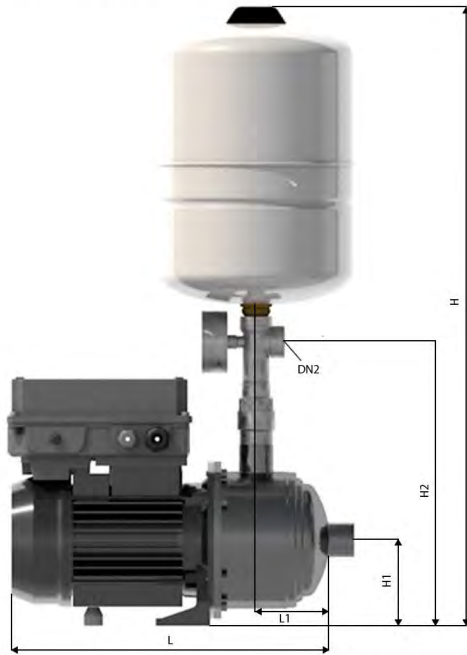


Optional Vari-RS Booster Set Features at a Glance



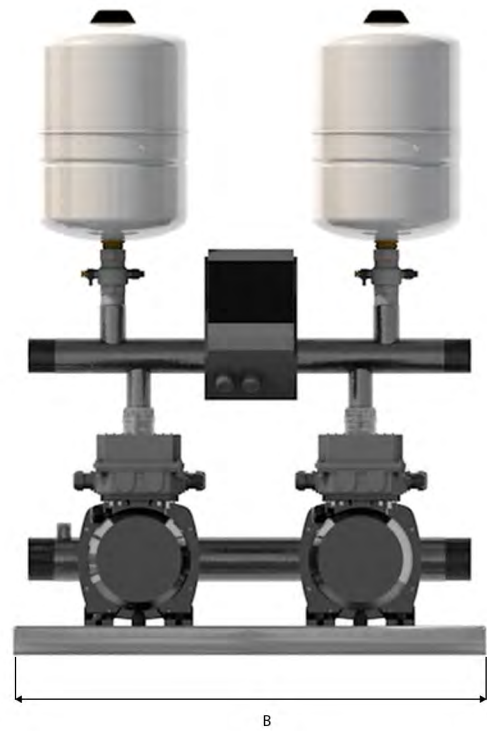
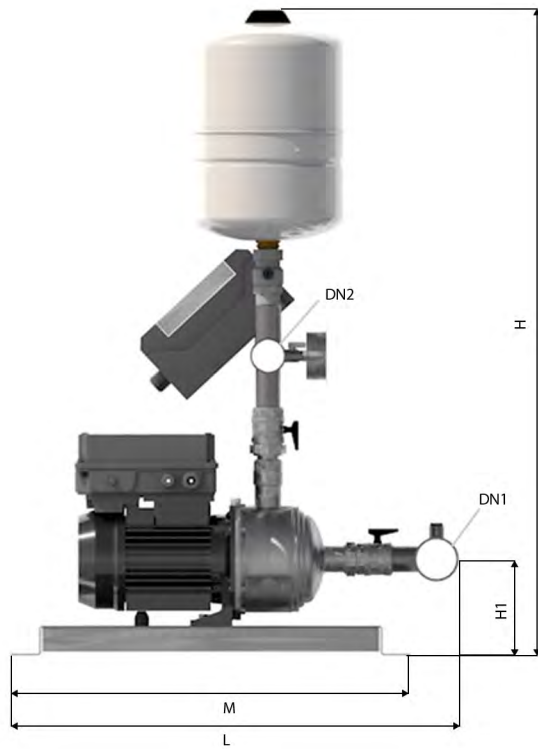
Single Vari-RS Booster Set

With Variable Speed Inverter



Model Ref	DN1	DN2	H	H1	H2	L	Power Supply	Kw	HP	FLC (amp)
1RS3-5/8/GF	1"	1"	700	80	310	444	1x240v	0.9	1.2	4.3
1RS3-7/8/GF	1"	1"	700	80	310	542	1x240v	1.3	1.8	5.6
1RS5-5/8/GF	1¼"	1"	700	80	310	498	1x240v	1.3	1.8	5.6
1RS5-7/8/GF	1¼"	1"	700	80	310	543	1x240v	2.2	3	8.2
1RS10-3/8/GF	1¼"	1¼"	700	80	310	472	1x240v	1.5	2	6.3

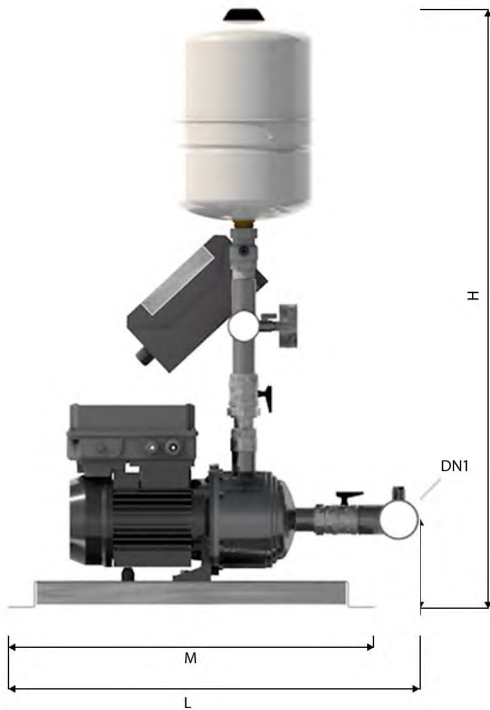
Twin Vari-RS Booster Set With Variable Speed Inverter



Model Ref	DN1	DN2	B	H	H1	L	M	Power Supply	Kw	HP	FLC (amp)
2RS3-5/8/GF	2"	1½"	640	800	135	680	540	1x240v	2x0.9	2x1.2	2x4.3
2RS308/8/GF	2"	1¼"	640	900	135	728	540	1x240v	2x1.3	2x1.8	2x5.6
2RS5-5/8/GF	2"	1¼"	640	900	135	680	540	1x240v	2x1.3	2x1.8	2x5.6
2RS5-7/8/GF	2"	1¼"	640	900	135	728	540	1x240v	2x2.2	2x3.0	2.8.2
2RS10-3/8/GF	2½"	2"	640	900	135	708	540	1x240v	2x1.5	2x2.0	2x6.3

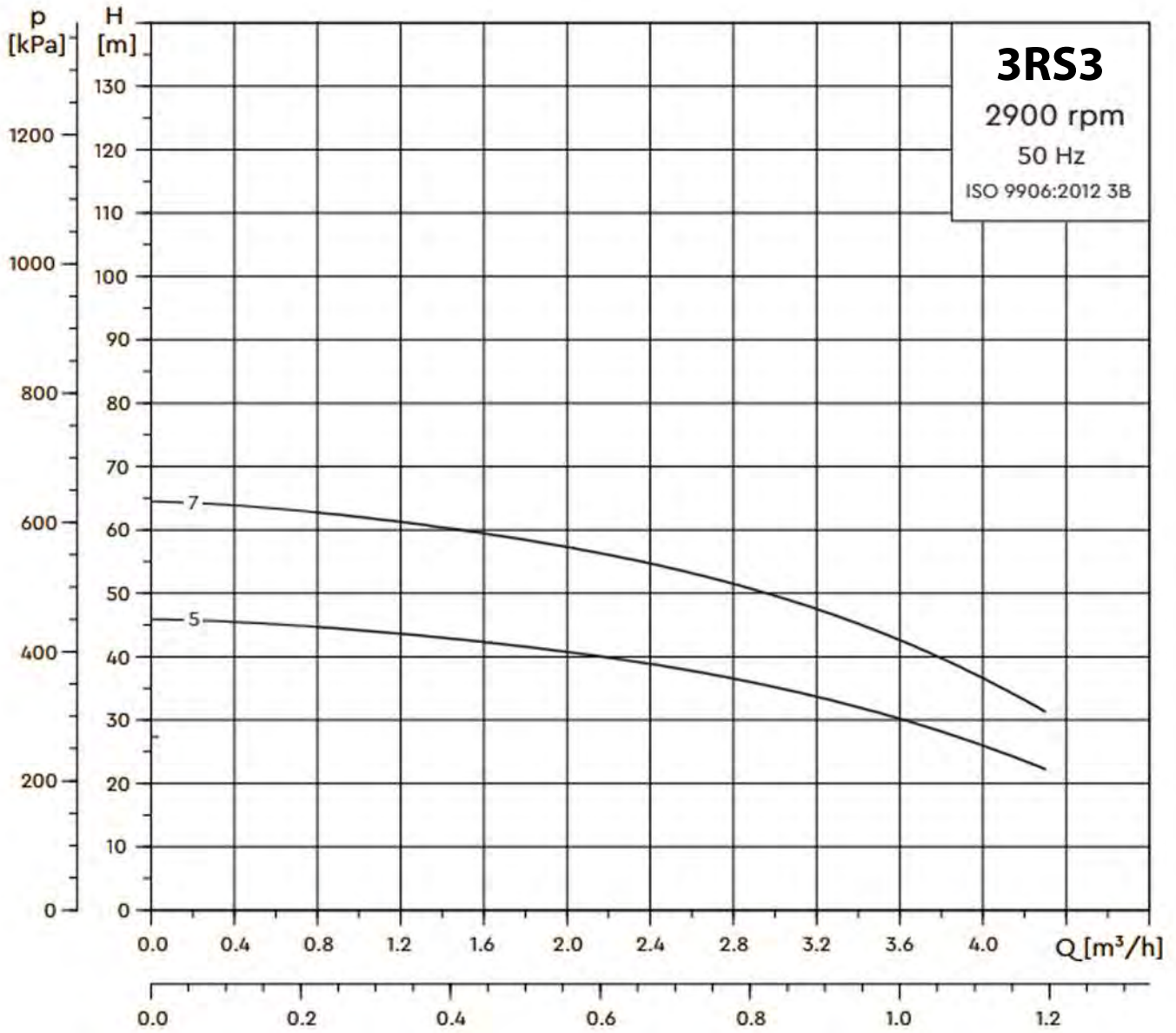
Triple Vari-RS Booster Set

With Variable Speed Inverter



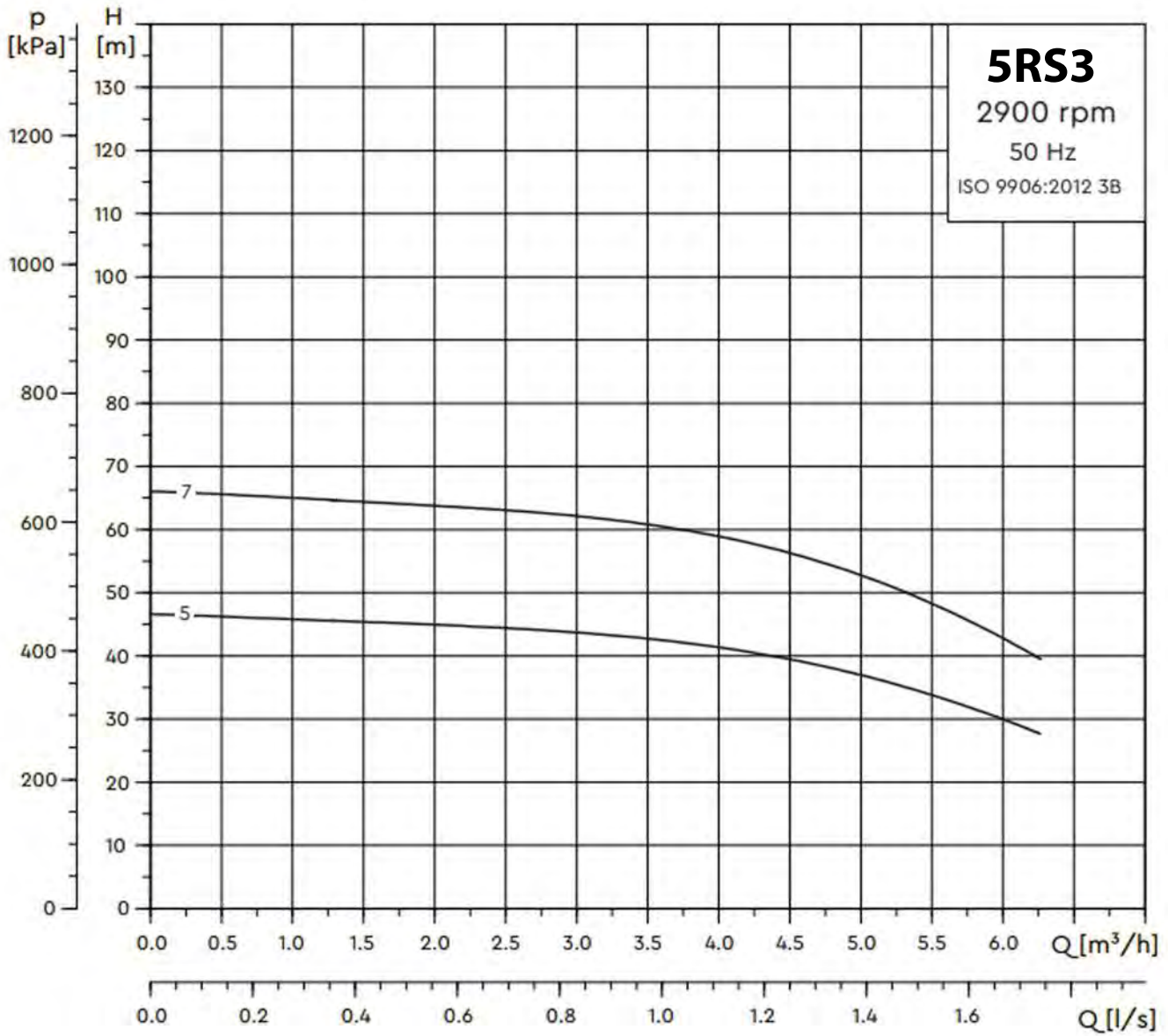
Model Ref	DN1	DN2	B	H	H1	L	M	Power Supply	Kw	HP	FLC (amp)
3RS3-5/8/GF	2½"	2"	900	920	130	680	540	1x240v	3x0.9	3x1.2	3x4.3
3RS3-7/8/GF	2½"	2"	900	920	130	728	540	1x240v	3x1.3	3x1.8	3x5.6
3RS5-5/8/GF	2½"	2"	900	920	130	708	540	1x240v	3x1.3	3x1.8	3x5.6
3RS5-7/8/GF	2½"	2"	900	920	130	739	540	1x240v	3x2.2	3x3.0	3x8.2
3RS10-3/8/GF	2½"	2"	900	920	130	760	540	1x240v	3x1.5	3x2.0	3x6.3

Performance Characteristics Twin Pump – 3RS3 E-Series



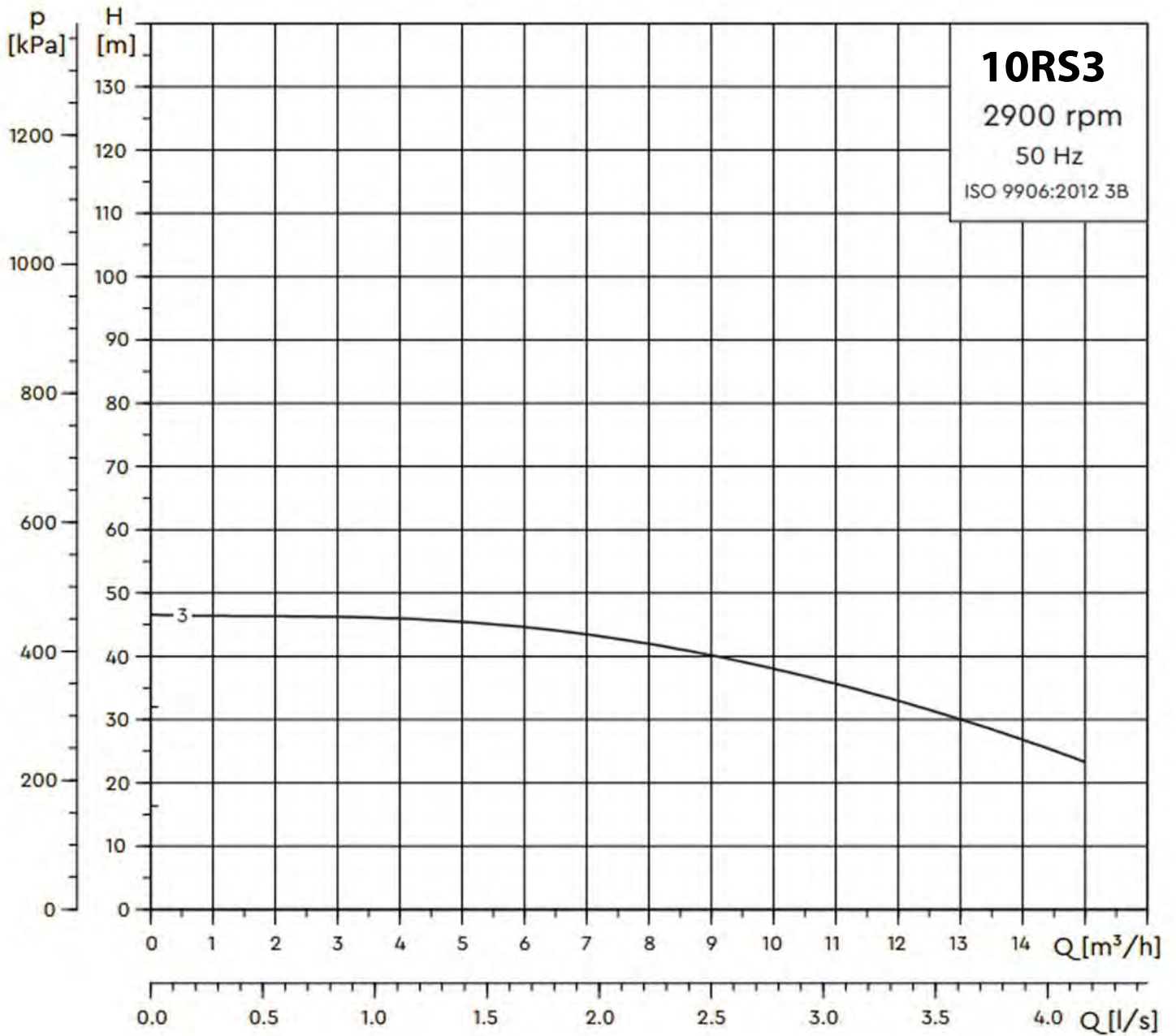
Please note the above performance curve is the duty of 1 pump

Performance Characteristics Twin Pump – 5RS3 E-Series



Please note the above performance curve is the duty of 1 pump

Performance Characteristics Twin Pump - 10RS3 E-Series



Please note the above performance curve is the duty of 1 pump

Pump and Vessel

Technical Data

	Description	Values
Pump Data	Operating Range	0.5 m ³ /hr - 45m ³ /hr
	Pumped Liquid	Clean potable ground or mixed water
	Liquid Solids	Water must be free of solid and fibrous suspensions.
	Chemical Handling	No
	Weather Protection	Must be protected from weather and above freezing temperatures.
	Pumped Liquid Temperature Range	0 - 50°C
	Ambient Operating Temperature Range	-40°C max 1km above sea-level
	Maximum Operating Pressure	PN10 / 10 bar
Vessel data	Expansion Vessel	Included as standard
	Single Pump Set	1 x 8L
	Twin Pump Set	2 x 8L & AISI 304 stainless suction and discharge manifold
	Triple Pump Set	3 x 8L & AISI 304 stainless suction and discharge manifold

Pump Material

Technical Data

Pump Material Data	
Description	Values
Casing	EN 1.4301 (AISI 304)
Impeller	
Casing Cover	
Shaft Seal	Ceramic / Carbon / EPDM
Bracket	EN AB AISI 11CU2(FE) Die Cast Aluminium
Suction	G1" G1¼" G1½" G2" G2½" UNI ISO 228
Discharge	G1" G1¼" G1½" G2" G2½" UNI ISO 228



Direct Pumps and Tanks Ltd
Unit 12 Cossall Industrial Estate
Ilkeston
Derbyshire
DE7 5UA
Tel: 0115 9444474
Fax: 0115 9442040
Email: info@dpandt.co.uk