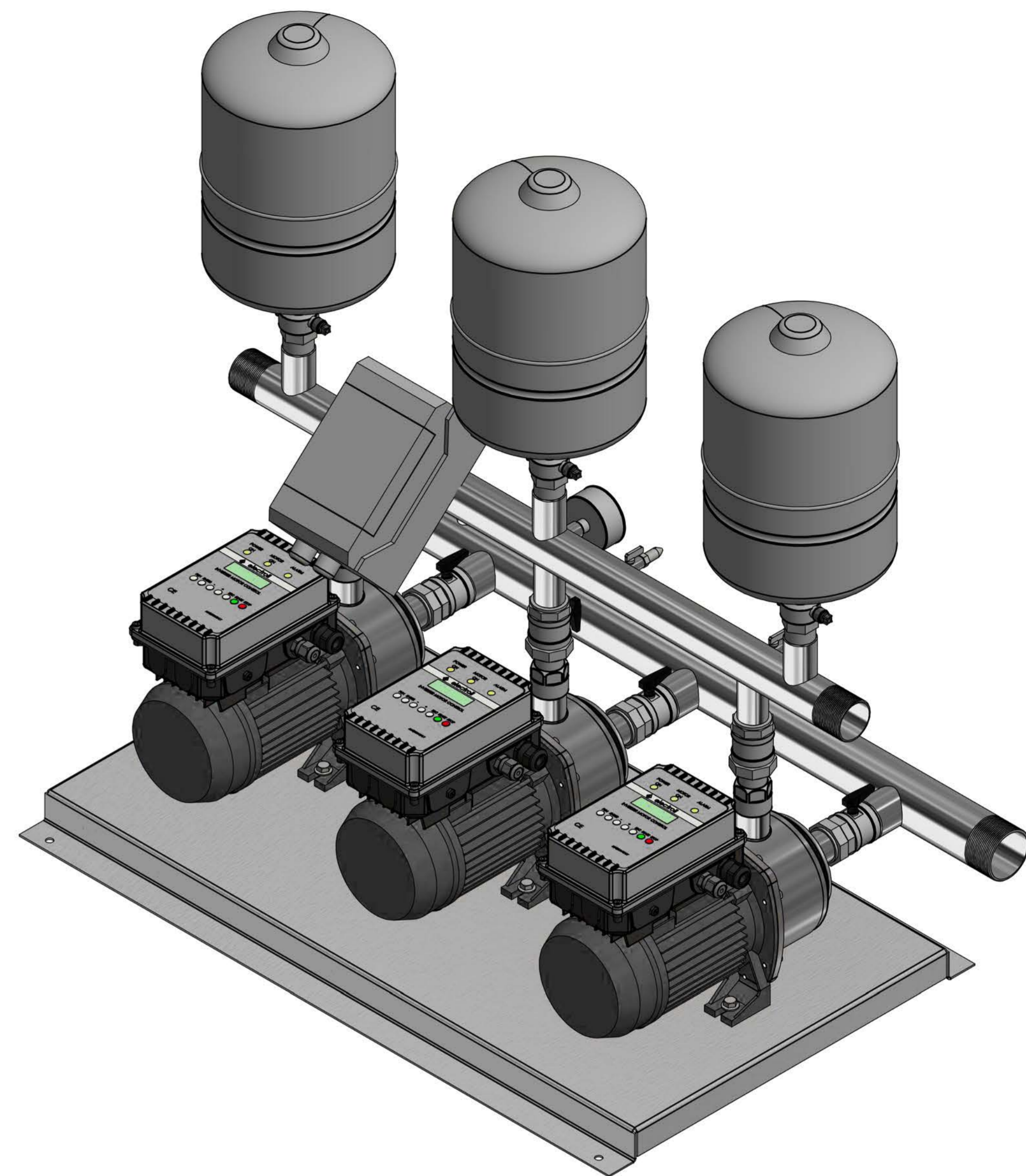
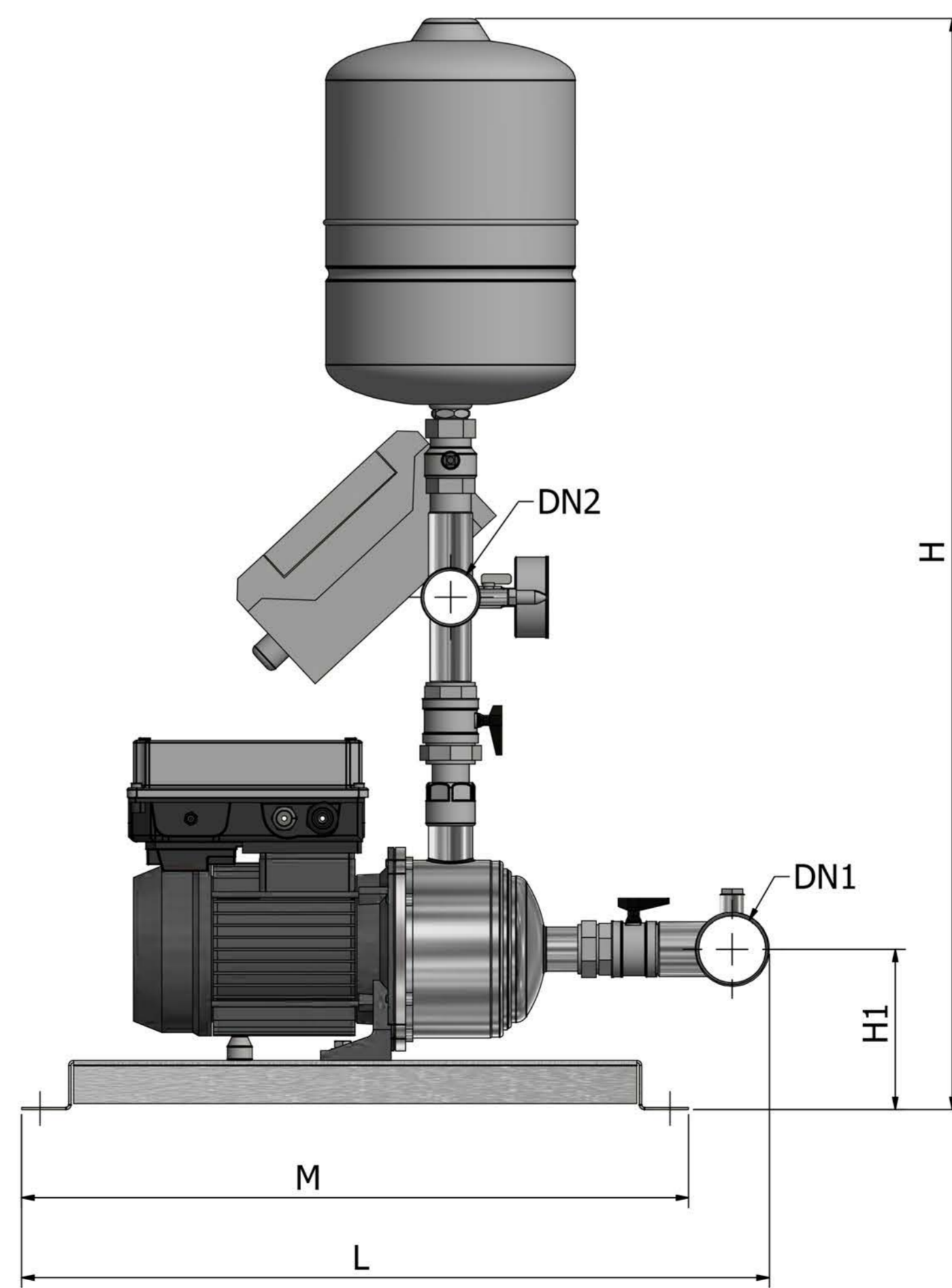
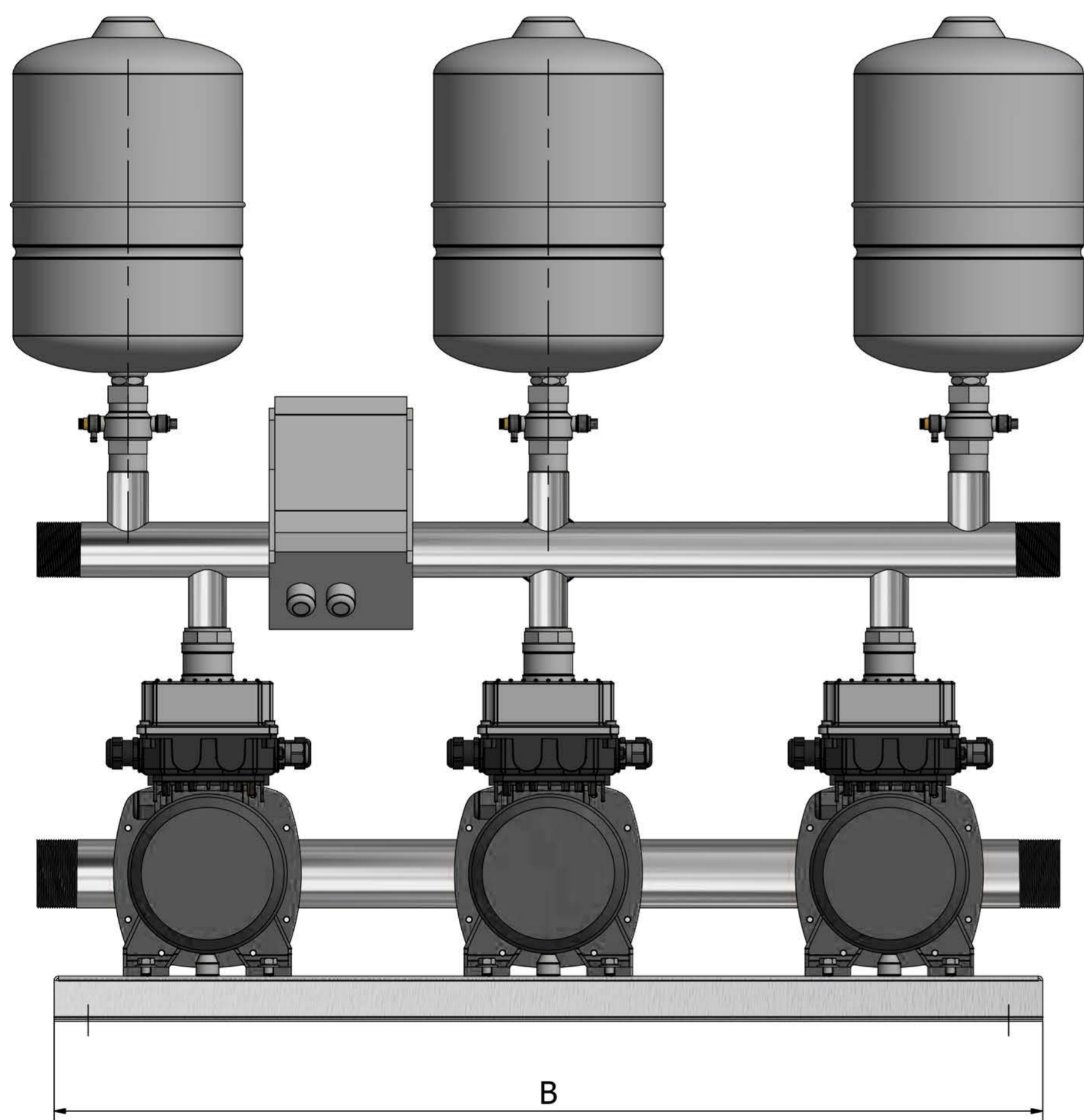


DIMENSIONS OF TRIPLE PUMP UNITS							
MODEL REF	DN1	DN2	B	H	H1	L	M
3RS3-5/8/GF	2.1/2"	2"	900	920	130	676	540
3RS3-7/8/GF	2.1/2"	2"	900	920	130	725	540
3RS5-5/8/GF	2.1/2"	2"	900	920	130	760	540
3RS5-7/8/GF	2.1/2"	2"	900	920	130	834	540
3RS10-3/8/GF	2.1/2"	2"	900	920	130	858	540



Rev	Date	Description
THIRD ANGLE PROJECTION		
THIS DRAWING IS CONFIDENTIAL AND MAY NOT BE USED, COPIED OR DISCLOSED TO ANYONE WITHOUT THE PERMISSION OF D.P. & T.		
PRODUCT CODE		PRODUCT DESCRIPTION
		TRIPLE SERIES
Drawn By:	R.U.	Checked By: C.W.
Approved By:	C.W.	REV 1
Drawn Date:	01/02/2021	Checked Date: 01/02/2021
Approved Date:	01/02/2021	SIZE A3
		SHEET 1 OF 1
		SCALE 1:4