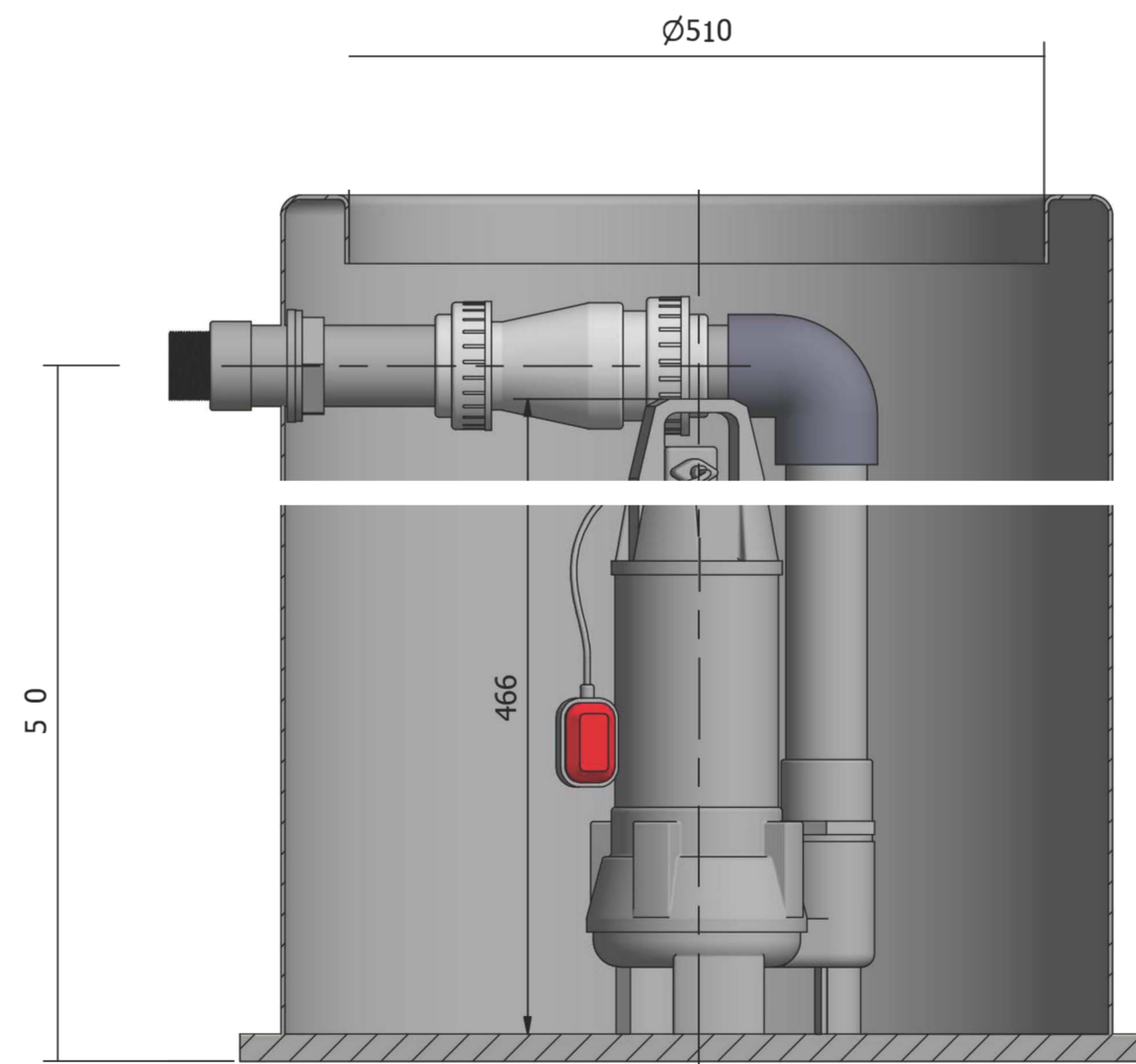
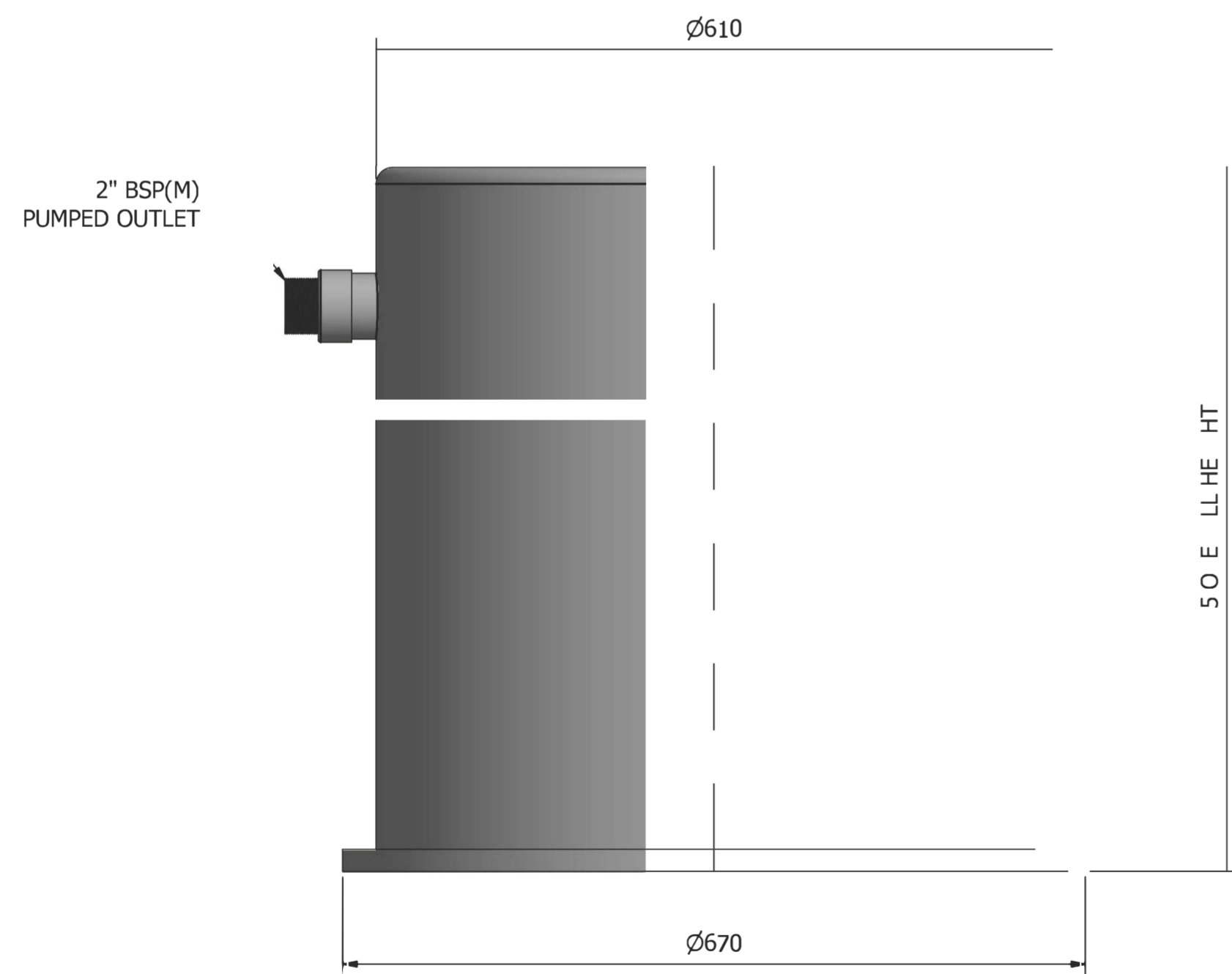


HIPPO 50 PUMP



SECTION A-A
SCALE 1:5

ALWAYS REFER TO INSTALLATION GUIDE TO ENSURE TANK IS SURROUNDED BY CONCRETE							
Rev	Date	Description					
THIRD ANGLE PROJECTION							
THIS DRAWING IS CONFIDENTIAL AND MAY NOT BE USED, COPIED OR DISCLOSED TO ANYONE WITHOUT PERMISSION							
PRODUCT CODE MICRO635				PRODUCT DESCRIPTION MICRO PUMP RANGE			
Drawn By:	R.U.	Checked By:	C.W.	Approved By:	C.W.	REV	1
Drawn Date:	01/07/2021	Checked Date:	01/07/2021	Approved Date:	01/07/2021	SIZE	A3
							SHEET 1 OF 1 SCALE 1:5