



Barcode: 5060452083476

Patent: GB2450150

e-kart™

Featuring IntelliGo Technology

Product code: EK3M

- » Heavy duty, powered handling kart for all terrains.
- » Designed to move masonry materials effortlessly.
- » Simple dual-speed trigger for complete control.



Product features



IntelliGo Technology



Working load limit



24V Battery



230V charging



Variable speed control



Suitable for site

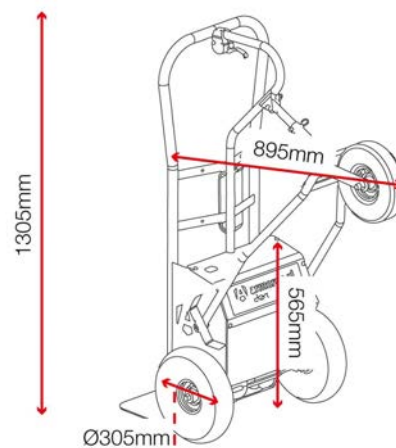
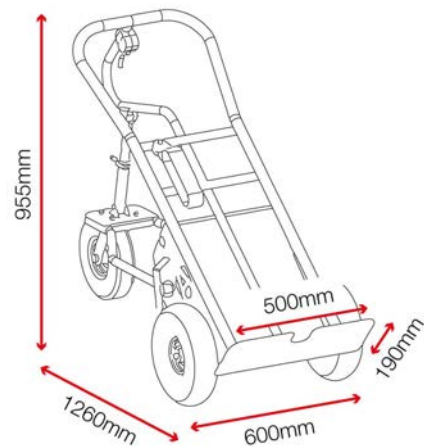


Built in handles

Product specifications

Weight	~50kg
Colour	RAL 7021, RAL 3020
Suitable for	All terrains
Material & thickness	Powder coated steel
How are castors fitted?	Bolted to axle
Other sizes available	3 other sizes
Assembly required?	No
Battery life	20+ hrs standby, 1 hr loaded.
Top speed	6kph (3.7mph)
Time to full charge	Approx 6 hours

Dimensions



Related products - Contact Armorgard to find out more



E-Kart EK2G



E-Kart EK3G



E-Kart EK4D