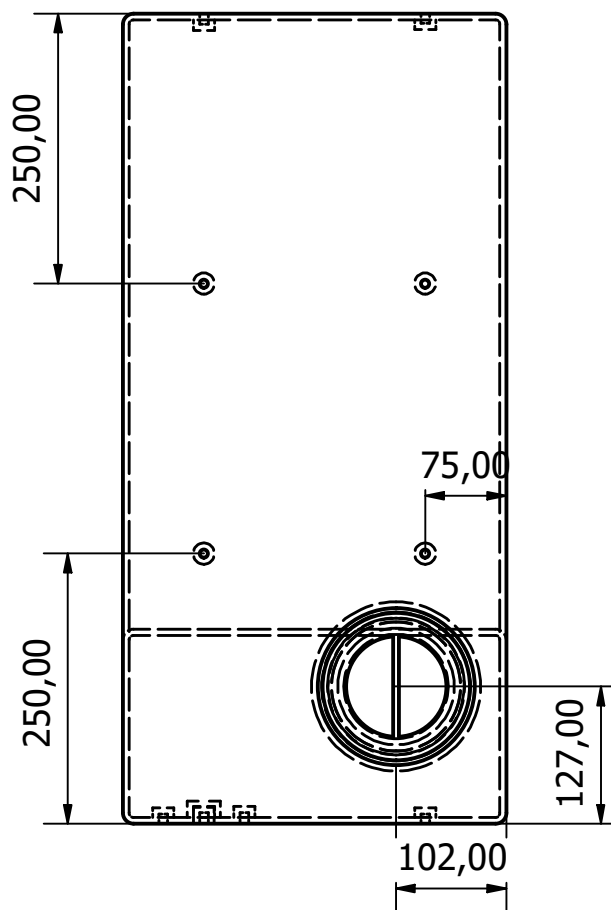
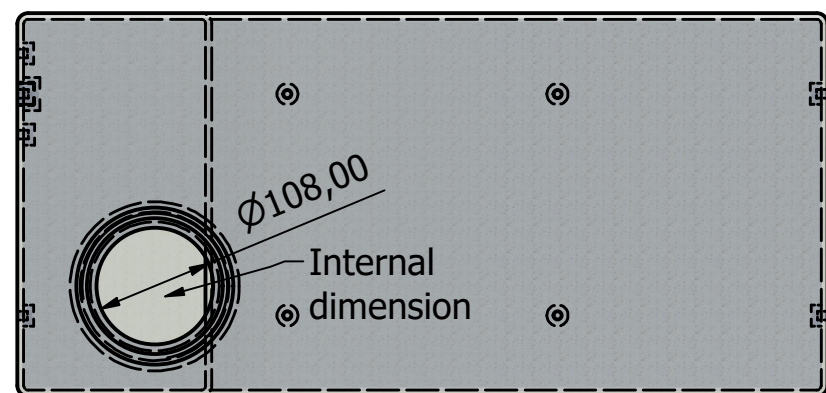
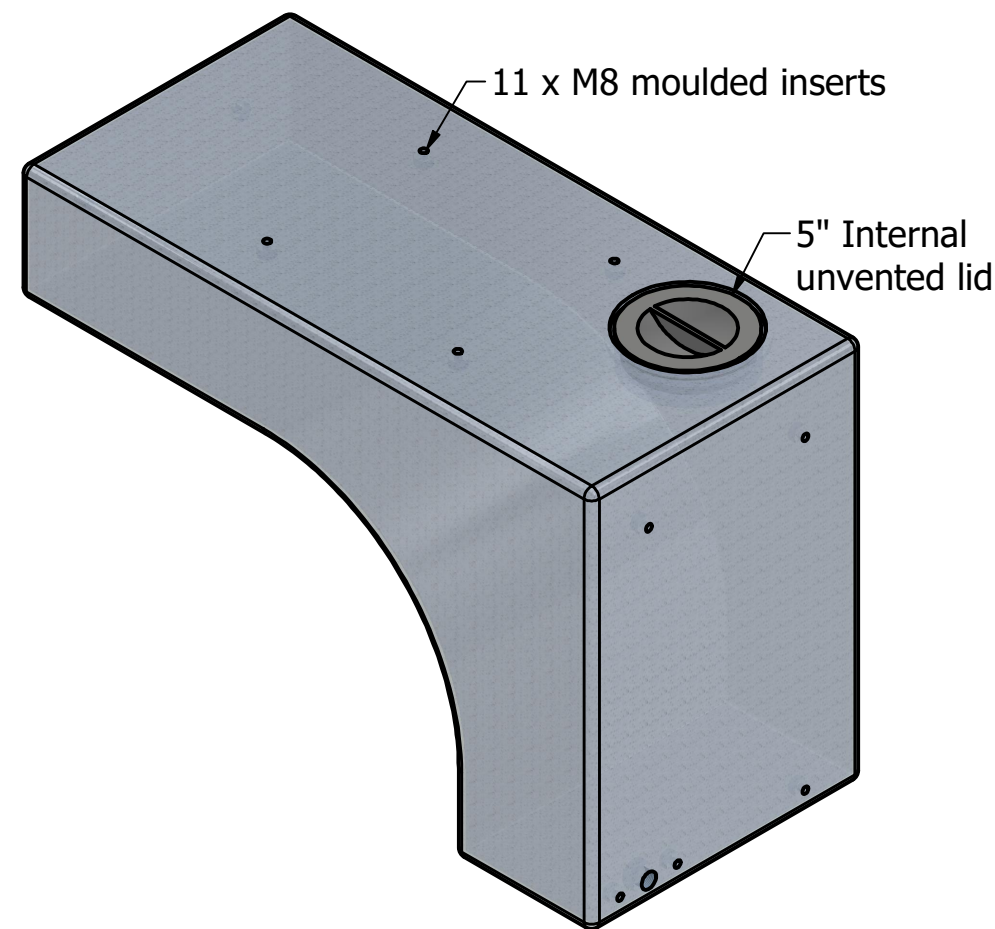
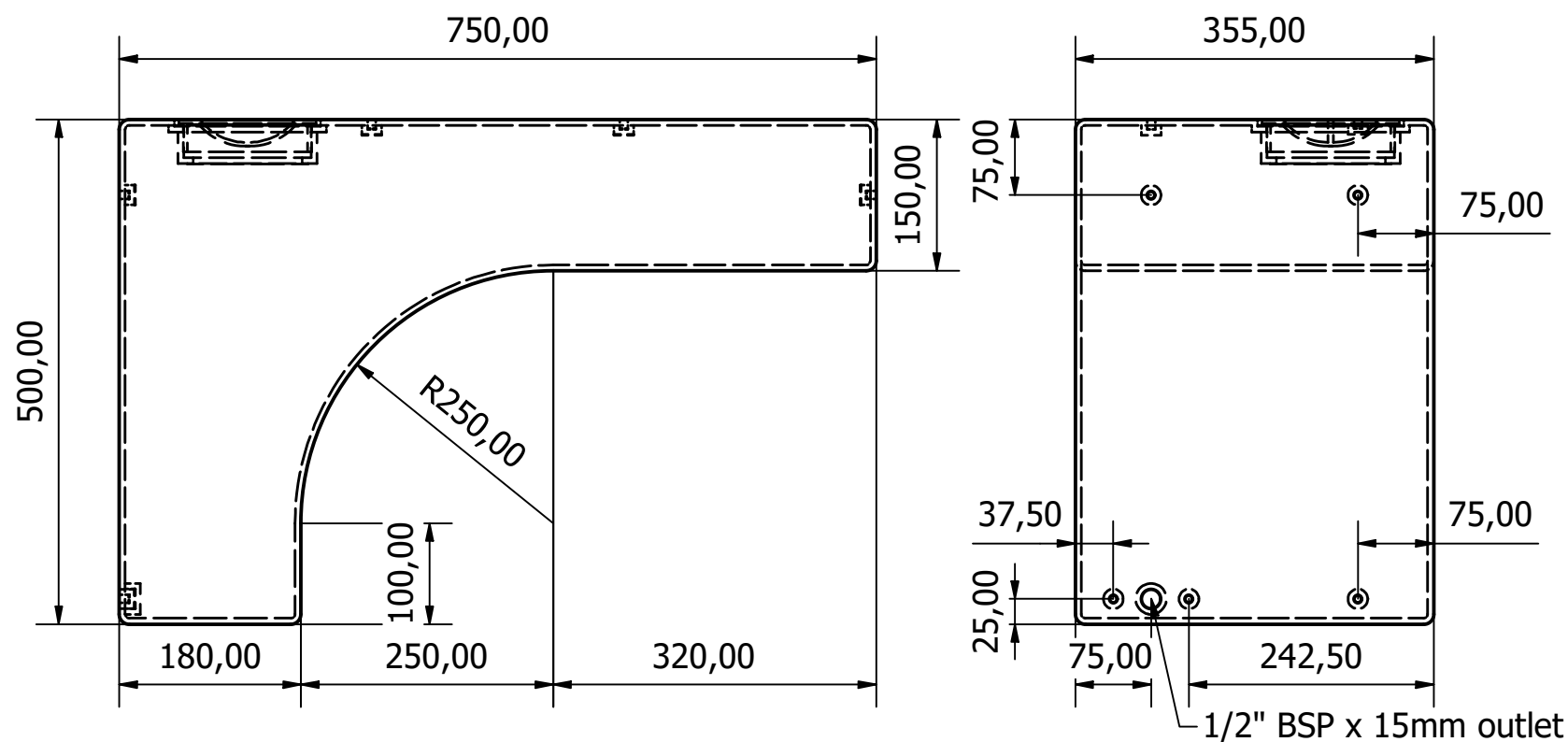


DO NOT SCALE UNLESS STATED - IF IN DOUBT ASK

Material	Polyethylene
Qty Req'd	



wydale
 Wydale Plastics Ltd
 Cathole Bridge Rd,
 Crewkerne,
 Somerset,
 TA18 8RF
 Tel: 01460 73212
 Fax: 01460 77348

CUSTOMER:		Wydale Plastics Ltd	
PROJECT:		57 Litre Wheel Arch Tank 5" Lid	
DRAWN DATE:	DESIGNED BY:	CHECKED BY:	
06/12/2022	Rory		
SHEET 1 OF 1	REV A	DRAWING NO:	

REV	ZONE	DESCRIPTION	DATE

THIS DRAWING AND THE INFORMATION THEREON IS THE SOLE PROPERTY OF WYDALE PLASTICS LTD AND SHALL NOT BE COPIED OR REPRODUCED WITHOUT THE CONSENT OF WYDALE PLASTICS LTD. DIMENSIONS ARE ALL IN MM UNLESS OTHERWISE STATED. ALL TOLERANCES +/- 1MM UNLESS STATED.

