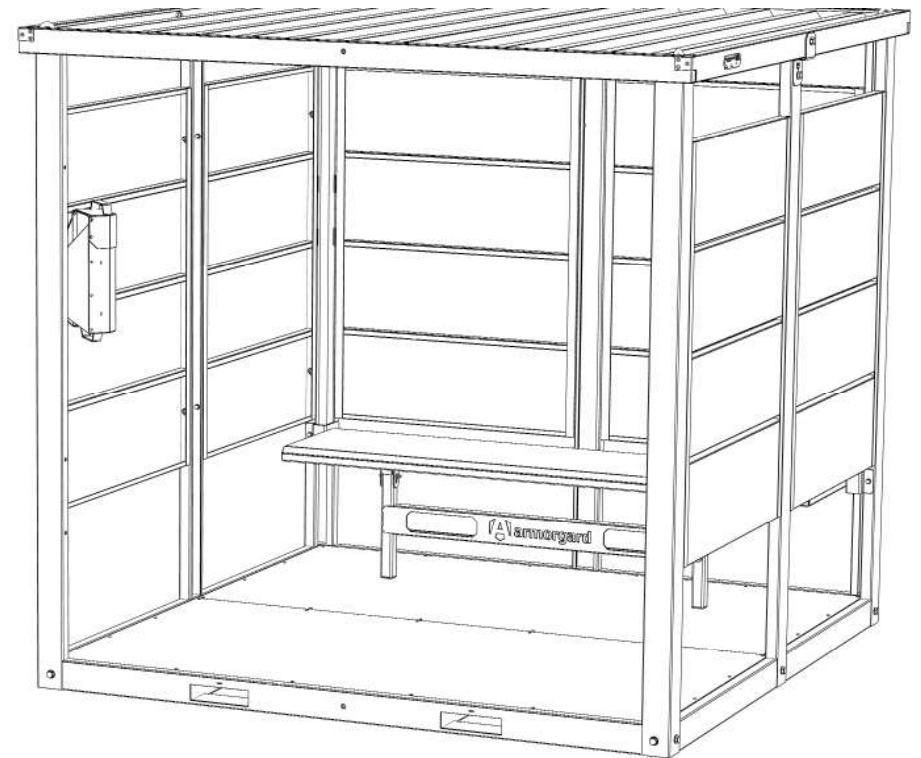
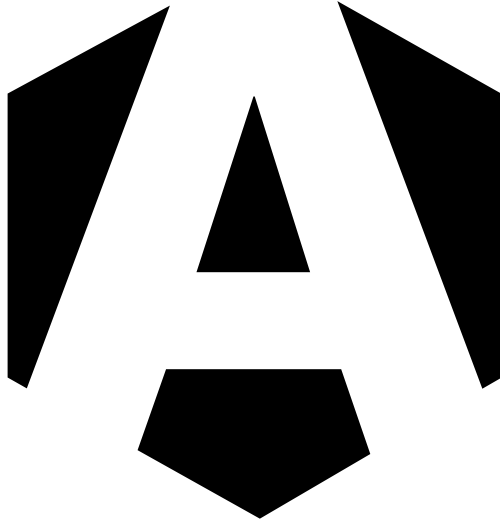


forma-shelta

Model Number FR200-S



Unit 14-16, Standard Way, Fareham Industrial Park, Fareham, Hampshire PO16 8XB
t: 023 9238 0280 e: sales@armorgard.co.uk w: www.armorgard.co.uk

View our full range of products online at
www.armorgard.co.uk



User manual for your
Armorgard Forma-Shelta

» Welcome...

to your Armorgard Forma-Shelta, a purpose-built welfare unit that provides a safe, dedicated break-out area that protects users from the outside elements. The Forma-Shelta can be assembled easily in under 10 minutes!

Please read this user manual carefully prior to assembling the Forma-Shelta.

Contents

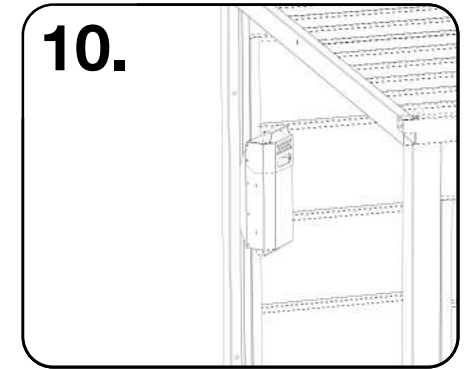
Welcome.....	2
Pack Contents:.....	3
Safety Information.....	3
Getting to know your Forma-Shelta FR200-S	4
Assembling the Forma-Shelta.....	5



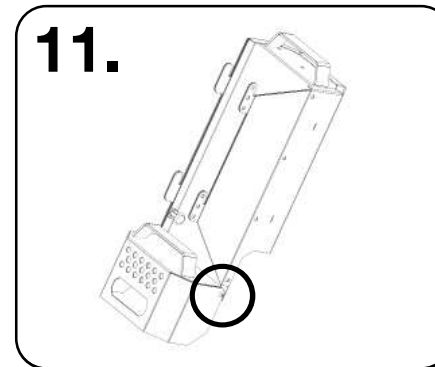
If you have any questions on setting up your Forma-Shelta, please call 023 9238 0280



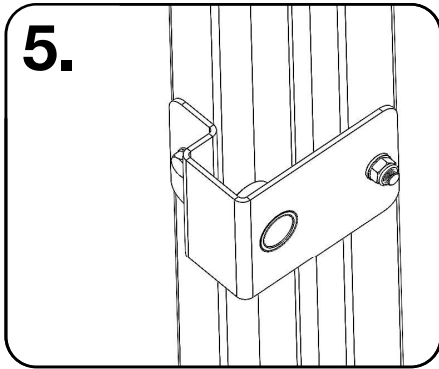
9. Lift each wall panel into place between upright and middle support then secure in place using M8 fixings. Ensure the ribs/pressings of the side panels face inwards. Now re-check every single fixing on the Forma-Shelta and ensure no fastener is loose.



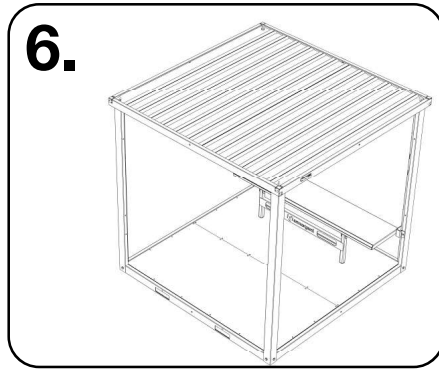
10. The cigarette bin can slot into any upright without fixings. To remove, lift upwards and out.



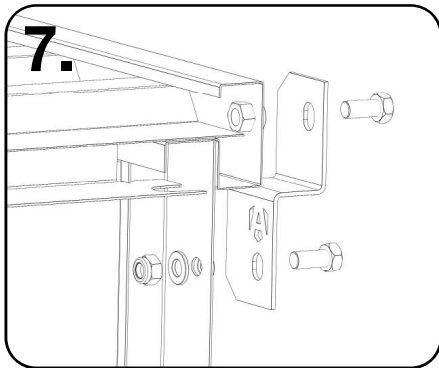
11. Before disposing of waste, ensure no embers are left burning. Pull the plunger on the rear of the lid to open and empty into a general waste bin. Close lid and reattach to the Forma-Shelta.



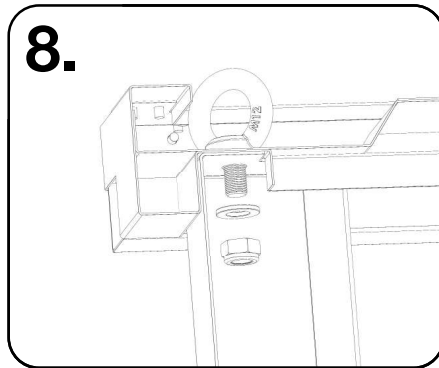
5. Slot the lugs of the folding bench into the brackets and tighten rear uprights to base.



6. The roof can now be lifted onto the uprights and located by the channels running under the roof in each corner.



7. Next the middle supports for side panels need to be fitted, one on the back and each side. Slide the top of the support under the roof first and then fix to the base using M12x25mm bolts and washers. The top can then be fixed using the supplied bracket and M12 fixings as shown.



8. Insert an M12 crane lifting eye from the top in each corner of the roof and through the slot in the top of the upright below. Secure lifting eyes with M12 washers and Nylock nuts.



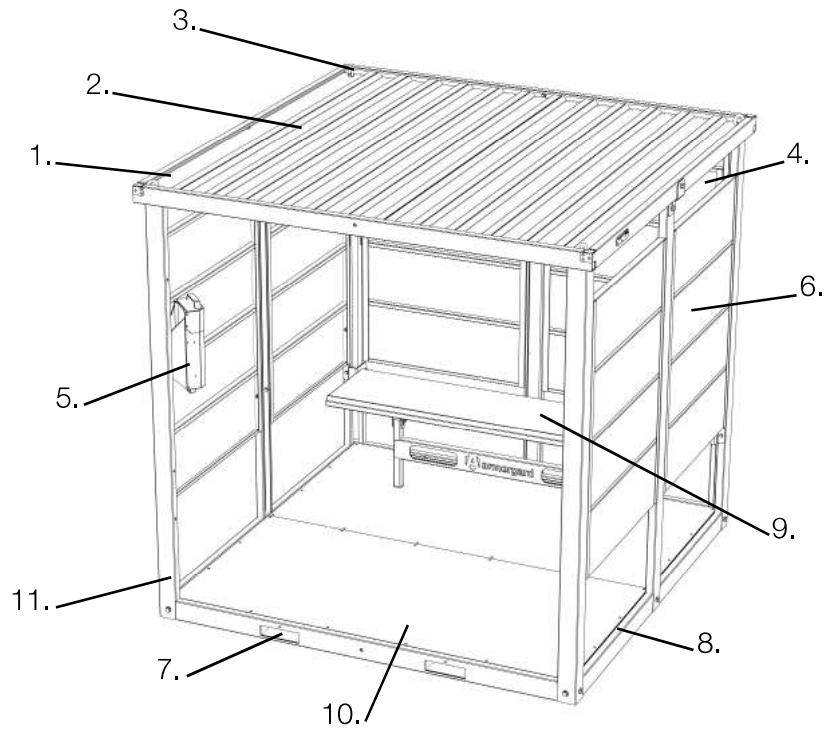
Safety Information

- ⚠ At least 2 people are required to safely erect or dismantle the Forma-Shelta and all relevant PPE must be worn while doing so.
- ⚠ The Forma-Shelta must be positioned on a flat, solid surface, and should be level and stable before being used.
- ⚠ Before lifting or moving the Forma-Shelta, have a qualified person carry out a thorough examination to ensure the unit is safe to move. Only qualified personnel should assist in lifting the Forma-Shelta.
- ⚠ Some parts of the Forma-Shelta are very heavy and there is a risk of trapping fingers or skin while assembling. Ensure due care is taken while assembling and carry out a risk assessment if required.
- ⚠ Fully compliant with the Smoking Shelters Health Act of 2006.

Pack Contents:

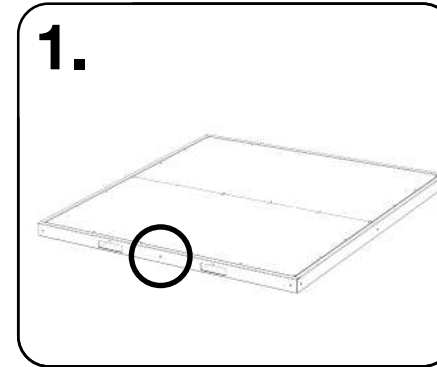
1x Base	14x M12x25mm bolts
1x Roof	20x M12 washers
1x Bench assembly	6x M12 nylock nuts
2x Bench mounting brackets	28x M8x25mm bolts
6x Side panels	56x M8 washers
4x Uprights	28x M8 nylock nuts
3x Middle supports	4x M12 lifting eyes
3x Middle support brackets	1x Cigarette bin

Getting to know your Forma-Shelta FR200-S

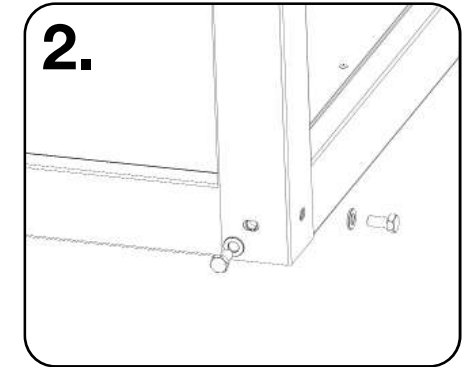


- | | |
|--|---|
| <p>1. Powder coated corrugated roof provides excellent weatherproofing.</p> <p>2. Integrated gutters.</p> <p>3. 4-point crane lifting eyes.</p> <p>4. High and low ventilation allows for air circulation within the unit.</p> <p>5. Versatile cigarette bin.</p> <p>6. Powder coated panels to help prevent rust and corrosion.</p> | <p>7. Forklift pockets for transportation.</p> <p>8. Fireboard beneath for fire protection and additional weight to increase stability.</p> <p>9. Folding bench.</p> <p>10. Durable, non-slip aluminium tread plate floor.</p> <p>11. Fully modular design - assemble in any orientation.</p> |
|--|---|

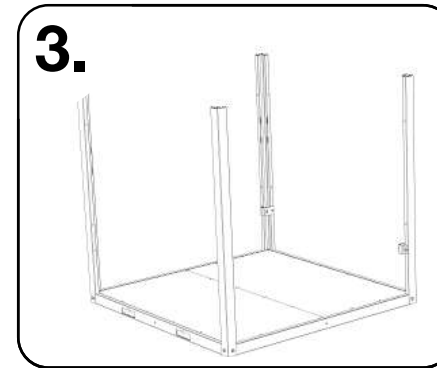
Assembling the Forma-Shelta



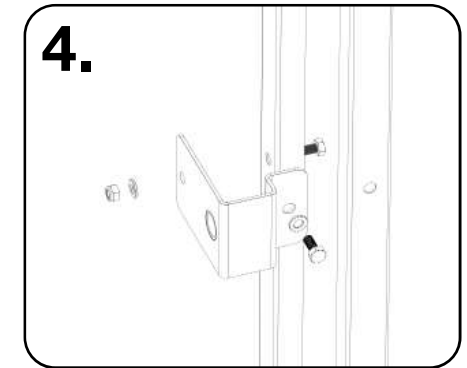
1.
To begin assembling the Forma-Shelta, place base on a level, stable surface. The front of the unit can be configured from any side but we recommend the forklift pockets are at the front.



2.
Attach uprights to each corner of the base using 2x M12x25mm bolts with washers.



3.
Tighten the two front uprights using a 19mm socket but leave the rear uprights hand tight.



4.
Fit the mounting brackets for the folding bench to the inside of each rear upright using 2x M8x25mm bolts, washers and Nylocks per side. Use a 13mm spanner/socket to ensure these fixings are tight.