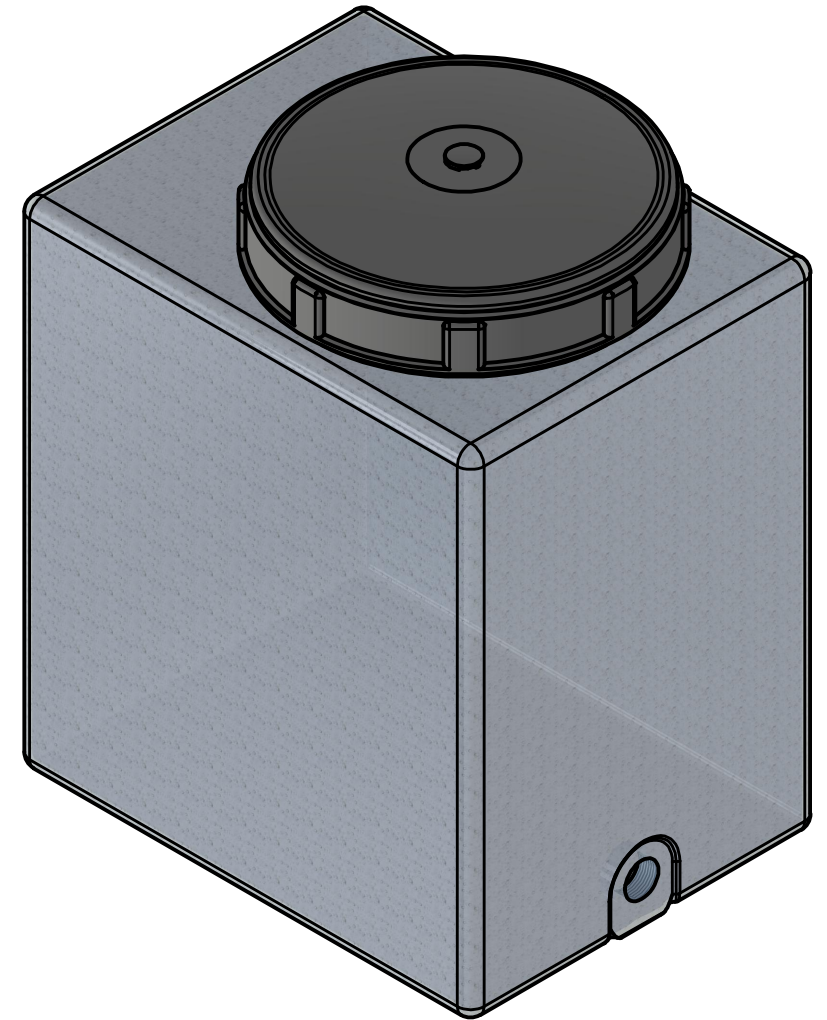
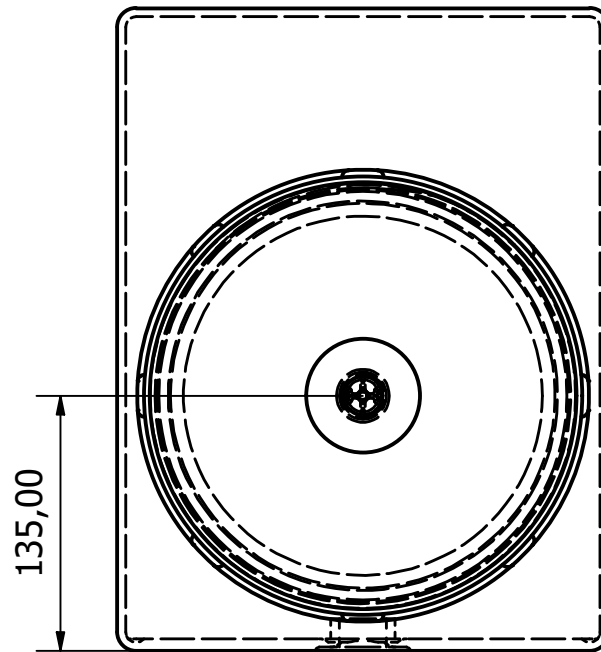
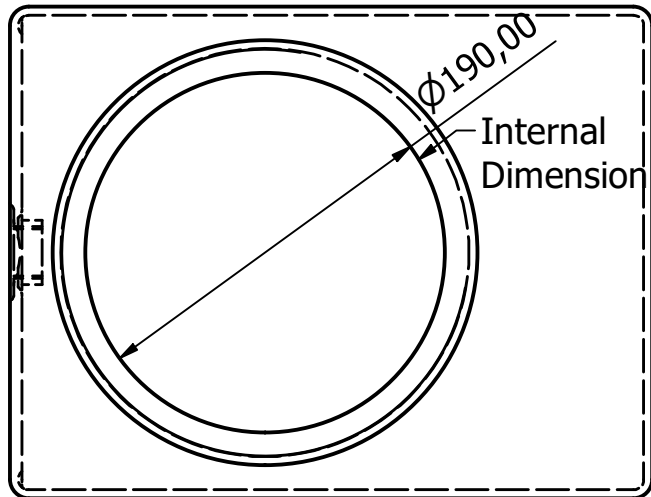
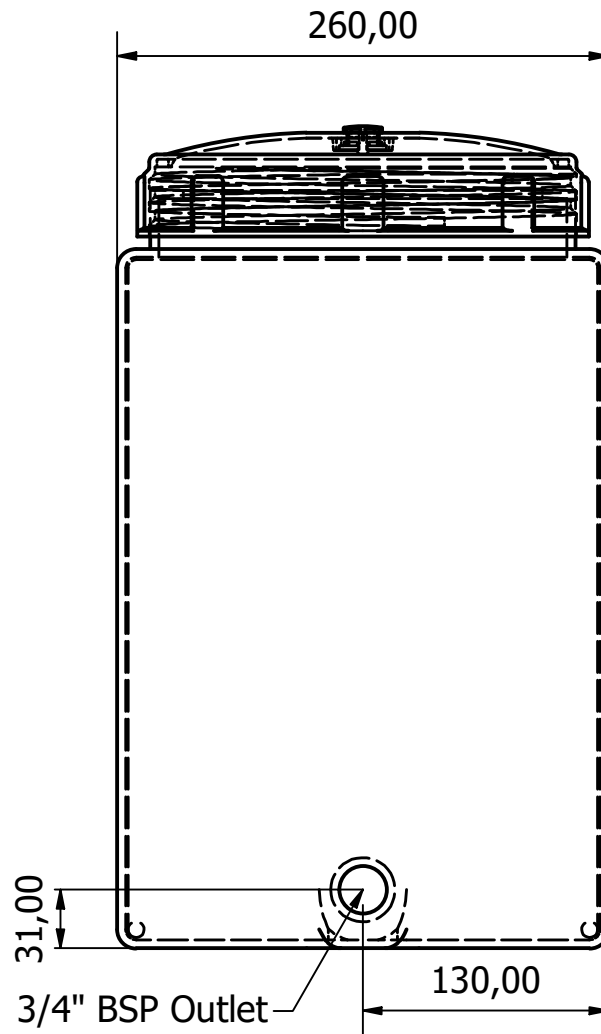
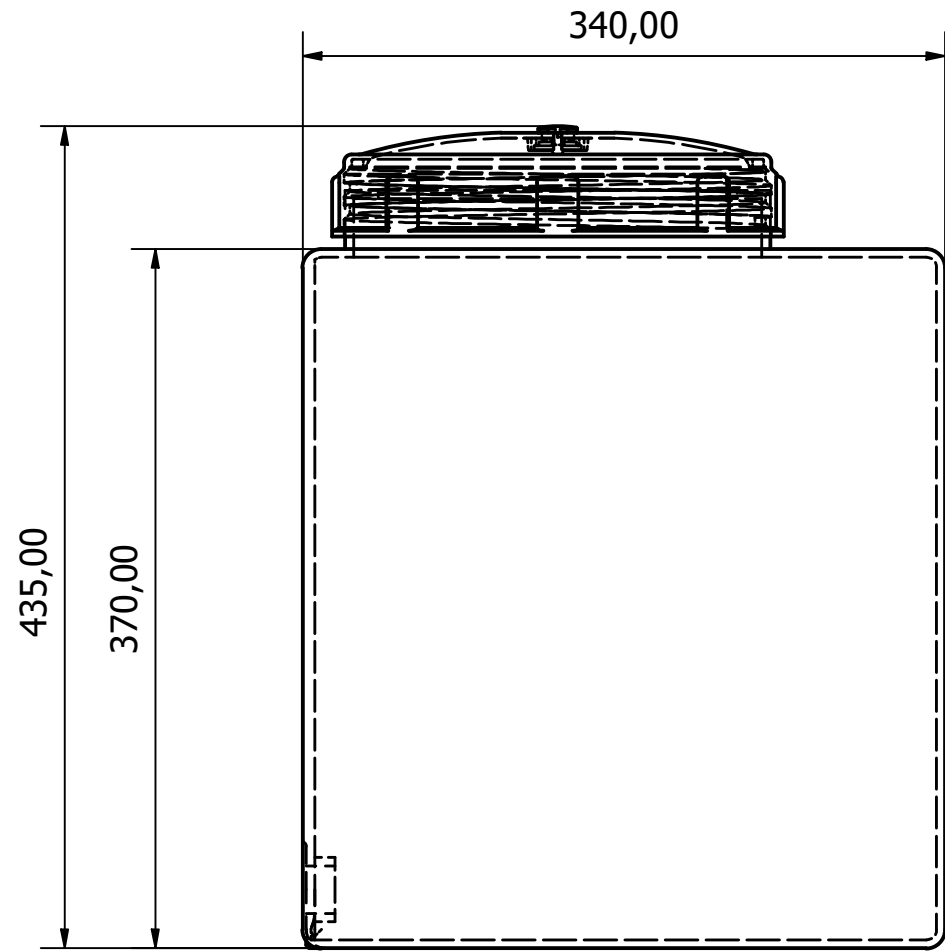


DO NOT SCALE UNLESS STATED - IF IN DOUBT ASK

Nominal wall thickness - 4.5mm  
Nominal weight - 3kg

Material	Polyethylene
Qty Req'd	



**wydale**  
Wydale Plastics Ltd  
Cathole Bridge Rd,  
Crewkerne,  
Somerset,  
TA18 8RF  
Tel: 01460 73212  
Fax: 01460 77348

THIS DRAWING AND THE INFORMATION THEREON IS THE SOLE PROPERTY OF WYDALE PLASTICS LTD AND SHALL NOT BE COPIED OR REPRODUCED WITHOUT THE CONSENT OF WYDALE PLASTICS LTD. DIMENSIONS ARE ALL IN MM UNLESS OTHERWISE STATED.  
ALL TOLERANCES +/- 1MM UNLESS STATED.

CUSTOMER: Wydale Plastics Ltd

PROJECT: 25 Litre Tank MK2 8" Lid

DRAWN DATE:  
07/11/2022

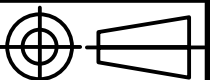
DESIGNED BY:  
Rory

CHECKED BY:

SHEET 1 OF 1

REV  
A

DRAWING NO:



REV	ZONE	DESCRIPTION	DATE