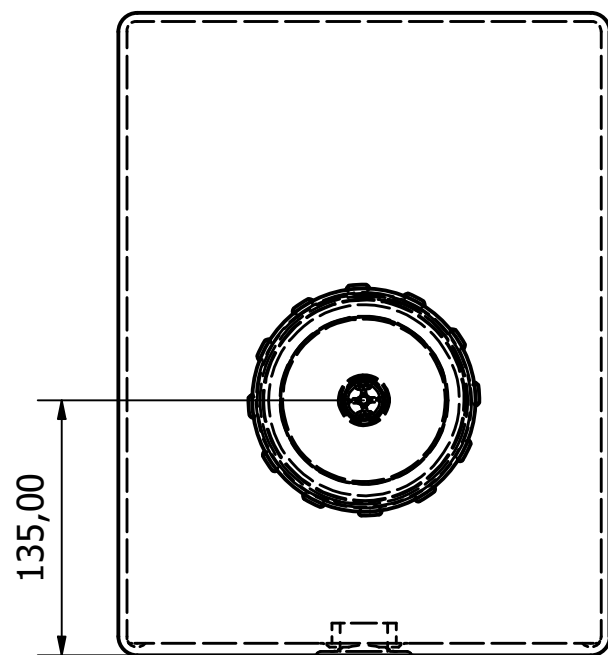
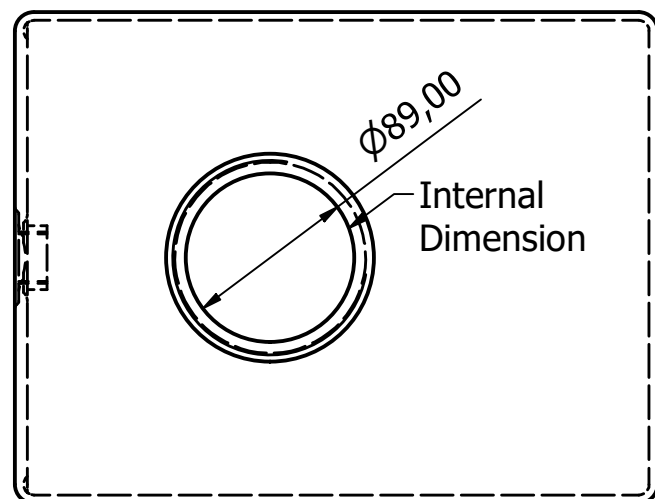
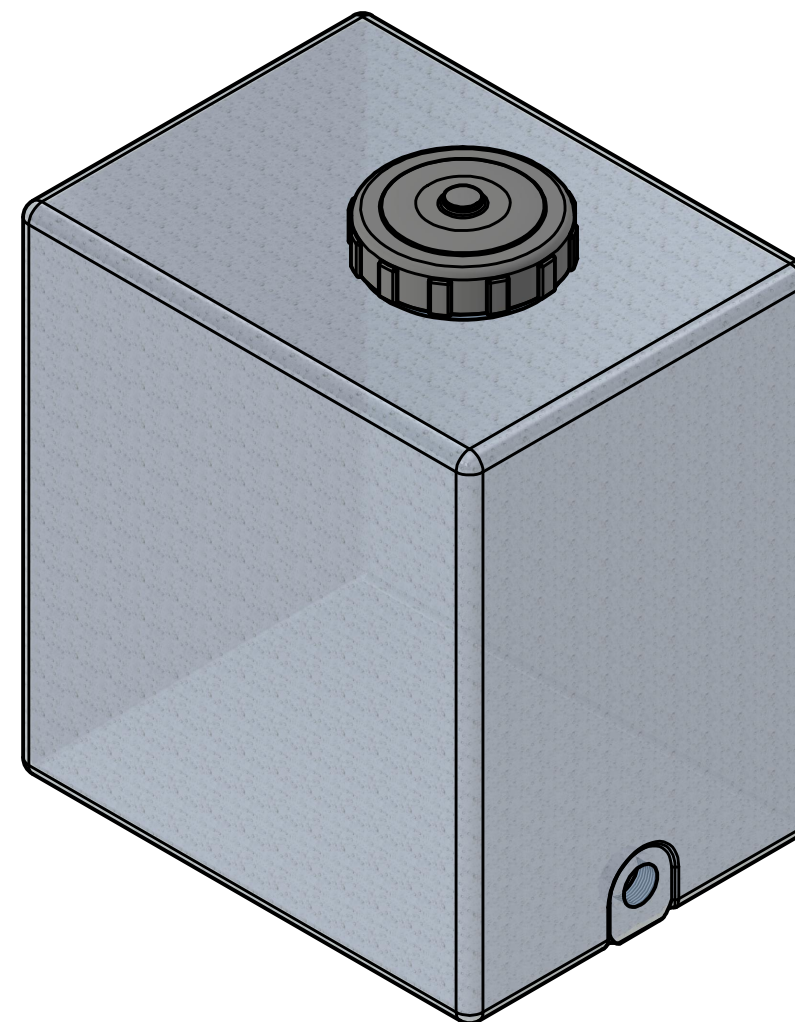
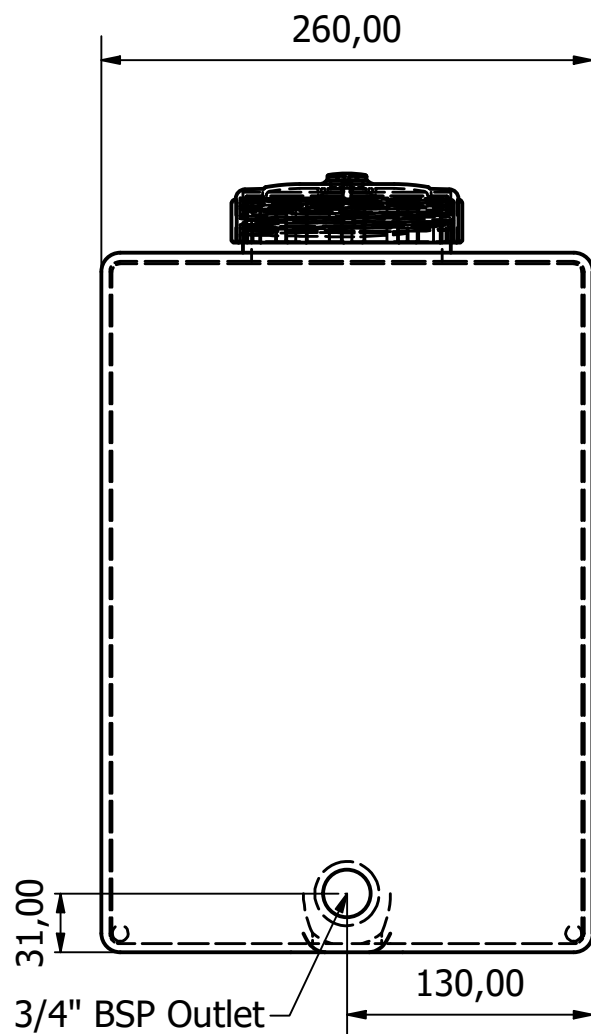
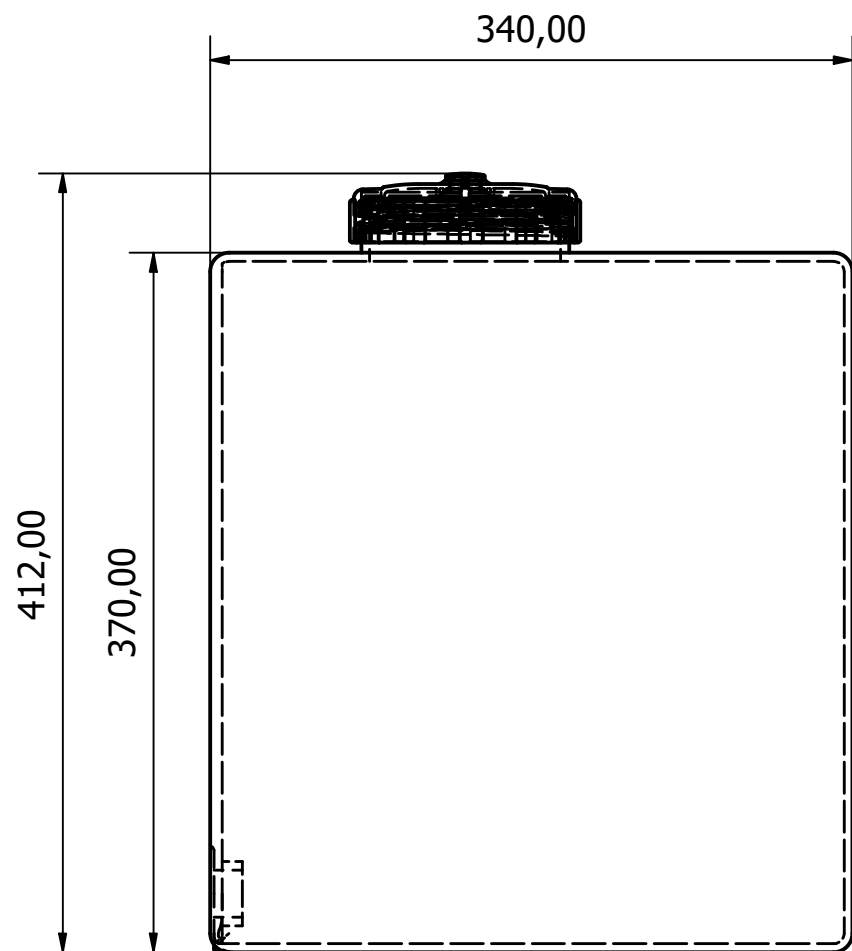


DO NOT SCALE UNLESS STATED - IF IN DOUBT ASK

Nominal wall thickness - 4.5mm  
Nominal weight - 3kg

|           |              |
|-----------|--------------|
| Material  | Polyethylene |
| Qty Req'd |              |



**wydale**  
Wydale Plastics Ltd  
Cathole Bridge Rd,  
Crewkerne,  
Somerset,  
TA18 8RF  
Tel: 01460 73212  
Fax: 01460 77348

THIS DRAWING AND THE INFORMATION THEREON IS THE SOLE PROPERTY OF WYDALE PLASTICS LTD AND SHALL NOT BE COPIED OR REPRODUCED WITHOUT THE CONSENT OF WYDALE PLASTICS LTD. DIMENSIONS ARE ALL IN MM UNLESS OTHERWISE STATED.  
ALL TOLERANCES +/- 1MM UNLESS STATED.

|                                   |                   |
|-----------------------------------|-------------------|
| CUSTOMER: Wydale Plastics Ltd     |                   |
| PROJECT: 25 Litre Tank MK2 4" Lid |                   |
| DRAWN DATE: 08/11/2022            | DESIGNED BY: Rory |
| CHECKED BY:                       |                   |
| SHEET 1 OF 1                      | REV A             |
| DRAWING NO:                       |                   |

| REV | ZONE | DESCRIPTION | DATE |
|-----|------|-------------|------|
|     |      |             |      |

