

TITLE
CUCOMP.9000-6000

DRAWN BY **J. Ellison** DATE **17/06/2022**

CUSTOMER **CUSTOMER**

NOTE:
All tanks must be fully supported on a flat level & continuous foundation providing structural support to the tank when full to maximum operating capacity. It is essential that the user refers to the conditions of installation document prior to the installation of the tank. Under no circumstances should the tank body be used to provide support to pipework and ancillary items. The tank lid is a structural part of the tank and must be in place and fitted correctly when water is contained within the tank.

ALL DIMENSIONS +/- 5mm UNLESS OTHERWISE STATED

DESCRIPTION:
CUCOMP.9000-6000.AG Airgap Combination Unit

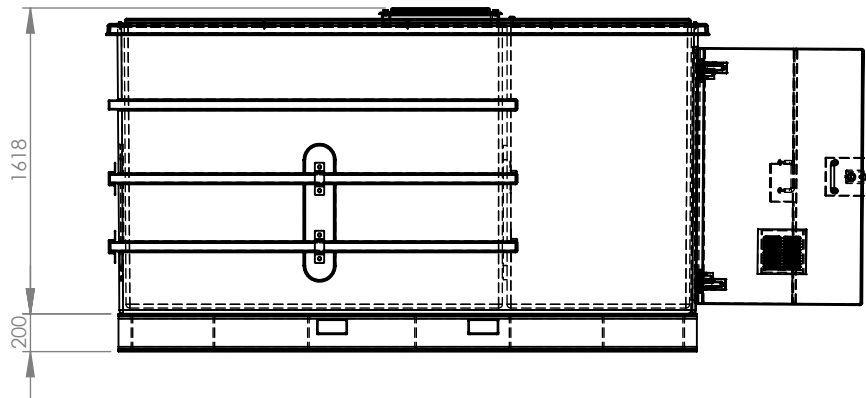
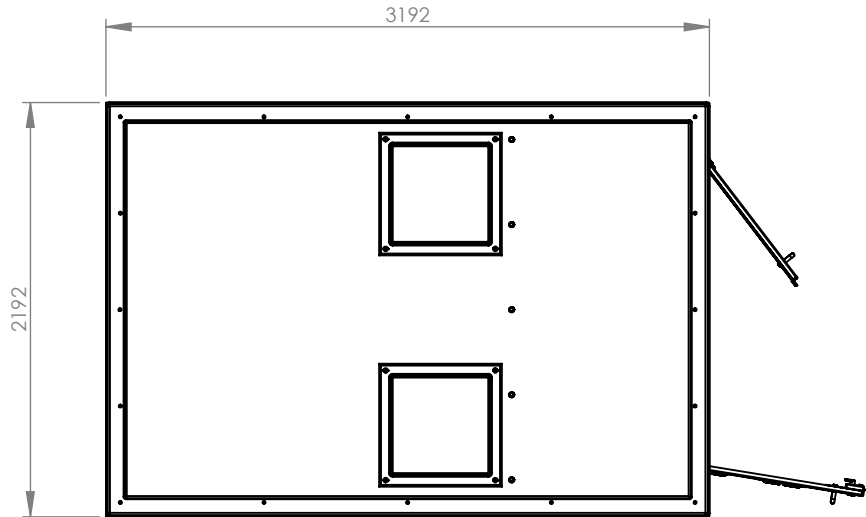
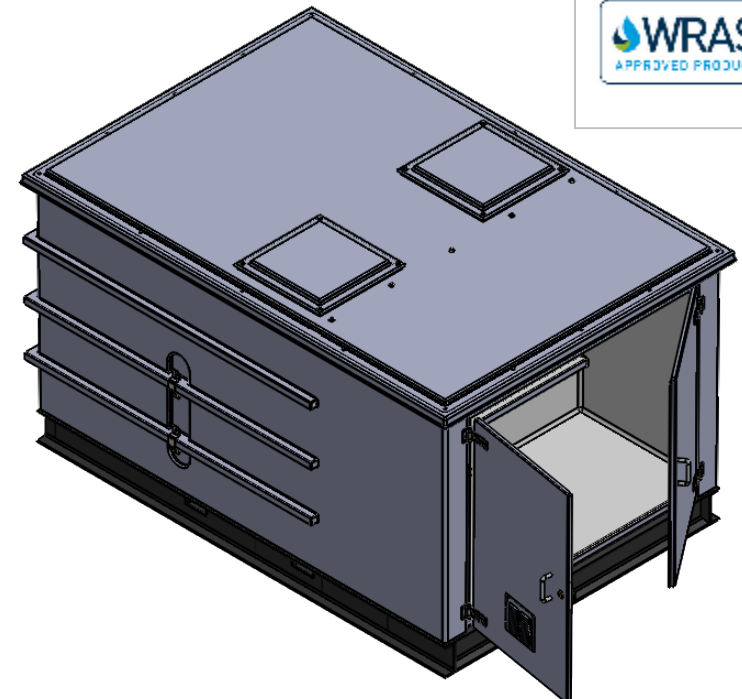
ALL DIMENSIONS IN MM - DO NOT SCALE

| DATE | VERSION | NOTES |
|------------|---------|-------------|
| 08/03/2022 | A | FIRST ISSUE |
| | | |
| | | |
| | | |
| | | |
| | | |

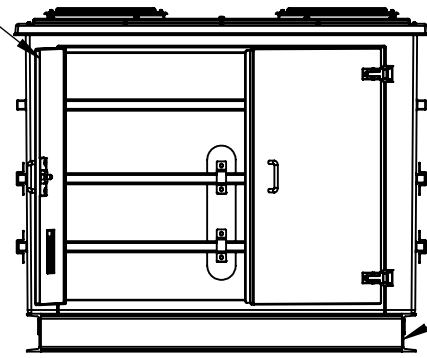
| TANK SPECIFICATION : | |
|----------------------|----------------------|
| WET COMPARTMENT | 2000 x 2000 x 1500mm |
| DRY COMPARTMENT | 1000 x 2000 x 1500mm |
| EXTERNAL DIMENSIONS | 3192 x 2192 x 1618mm |
| NOMINAL CAPACITY | 6000 Litres |
| INSULATION THICKNESS | 25mm |
| MATERIAL | GRP |

TANKS DIRECT

SCALE: 1:40 SHEET 1 OF 2



Access double door



Optional skid

TITLE
CUCOMP.9000-6000
c/w skid

DRAWN BY J. Ellison DATE 17/06/2022

CUSTOMER CUSTOMER

NOTE:
All tanks must be fully supported on a flat level & continuous foundation providing structural support to the tank when full to maximum operating capacity. It is essential that the user refers to the conditions of installation document prior to the installation of the tank. Under no circumstances should the tank body be used to provide support to pipework and ancillary items. The tank lid is a structural part of the tank and must be in place and fitted correctly when water is contained within the tank.

DESCRIPTION:
CUCOMP.9000-6000.AG Airgap Combination Unit c/w steel skid

ALL DIMENSIONS IN MM - DO NOT SCALE

| DATE | VERSION | NOTES |
|------------|---------|-------------|
| 08/03/2022 | A | FIRST ISSUE |
| | | |
| | | |
| | | |
| | | |

TANK SPECIFICATION :

| | |
|----------------------|----------------------|
| WET COMPARTMENT | 2000 x 2000 x 1500mm |
| DRY COMPARTMENT | 1000 x 2000 x 1500mm |
| EXTERNAL DIMENSIONS | 3192 x 2192 x 1818mm |
| NOMINAL CAPACITY | 6000 Litres |
| INSULATION THICKNESS | 25mm |
| MATERIAL | GRP |



SCALE:1:40 SHEET 2 OF 2