

TITLE  
**CUCOMP.8000-4000**

DRAWN BY J. Ellison DATE 17/06/2022

CUSTOMER CUSTOMER

NOTE:  
All tanks must be fully supported on a flat level & continuous foundation providing structural support to the tank when full to maximum operating capacity. It is essential that the user refers to the conditions of installation document prior to the installation of the tank. Under no circumstances should the tank body be used to provide support to pipework and ancillary items. The tank lid is a structural part of the tank and must be in place and fitted correctly when water is contained within the tank.

A4

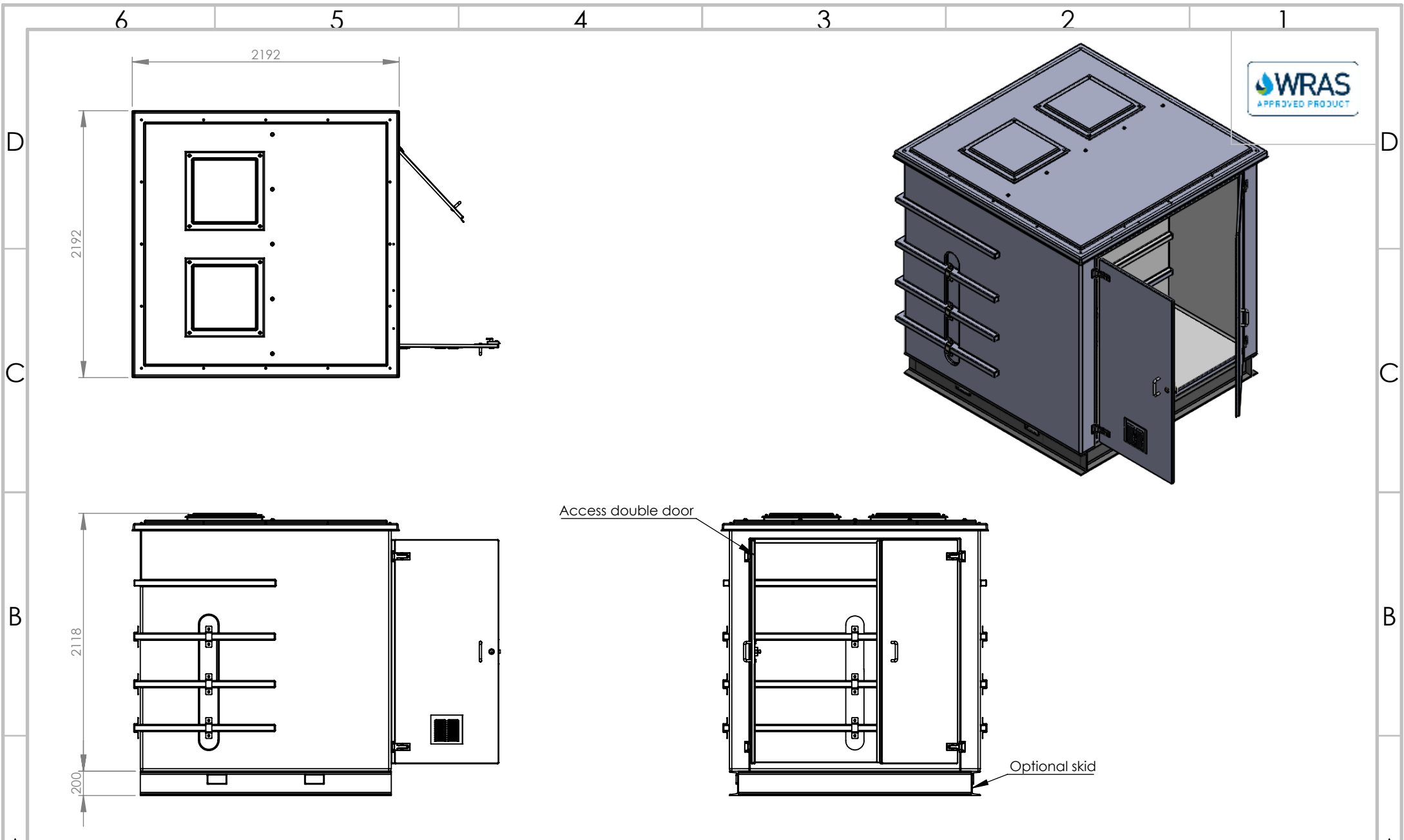
DESCRIPTION:  
CUCOMP.8000-4000.AG Airgap Combination Unit

ALL DIMENSIONS IN MM - DO NOT SCALE

DATE	VERSION	NOTES
04/03/2022	A	FIRST ISSUE

TANK SPECIFICATION :	
WET COMPARTMENT	1000 x 2000 x 2000mm
DRY COMPARTMENT	1000 x 2000 x 2000mm
EXTERNAL DIMENSIONS	2192 x 2192 x 2118mm
NOMINAL CAPACITY	4000 Litres
INSULATION THICKNESS	25mm
MATERIAL	GRP

SCALE:1:40 SHEET 1 OF 2



TITLE  
**CUCOMP.8000-4000**  
**c/w skid**

DRAWN BY **J. Ellison** DATE **17/06/2022**  
 CUSTOMER **CUSTOMER**

**NOTE:**  
 All tanks must be fully supported on a flat level & continuous foundation providing structural support to the tank when full to maximum operating capacity. It is essential that the user refers to the conditions of installation document prior to the installation of the tank. Under no circumstances should the tank body be used to provide support to pipework and ancillary items. The tank lid is a structural part of the tank and must be in place and fitted correctly when water is contained within the tank.

ALL DIMENSIONS +/- 5mm  
 UNLESS OTHERWISE STATED

DESCRIPTION:  
**CUCOMP.8000-4000.AG Airgap Combination Unit c/w steel skid**

**A4**

ALL DIMENSIONS IN MM - DO NOT SCALE

DATE	VERSION	NOTES
04/03/2022	A	FIRST ISSUE

**TANK SPECIFICATION :**

WET COMPARTMENT	1000 x 2000 x 2000mm
DRY COMPARTMENT	1000 x 2000 x 2000mm
EXTERNAL DIMENSIONS	2192 x 2192 x 2318mm
NOMINAL CAPACITY	4000 Litres
INSULATION THICKNESS	25mm
MATERIAL	GRP

**TANKS DIRECT**

SCALE: 1:40 SHEET 2 OF 2