

TITLE
CUCOMP.7500-3000

DRAWN BY **J. Ellison** DATE **17/06/2022**

CUSTOMER **CUSTOMER**

NOTE:
All tanks must be fully supported on a flat level & continuous foundation providing structural support to the tank when full to maximum operating capacity. It is essential that the user refers to the conditions of installation document prior to the installation of the tank. Under no circumstances should the tank body be used to provide support to pipework and ancillary items. The tank lid is a structural part of the tank and must be in place and fitted correctly when water is contained within the tank.

DESCRIPTION:
CUCOMP.7500-3000.AG Airgap Combination Unit

ALL DIMENSIONS IN MM - DO NOT SCALE

DATE	VERSION	NOTES
04/03/2022	A	FIRST ISSUE

TANK SPECIFICATION :

WET COMPARTMENT	1000 x 2000 x 1500mm
DRY COMPARTMENT	1500 x 2000 x 1500mm
EXTERNAL DIMENSIONS	2692 x 1192 x 1618mm
NOMINAL CAPACITY	3000 Litres
INSULATION THICKNESS	25mm
MATERIAL	GRP



SCALE:1:35 SHEET 1 OF 2

D
C
B
A

D
C
B
A

6

5

4

3

2

1

6

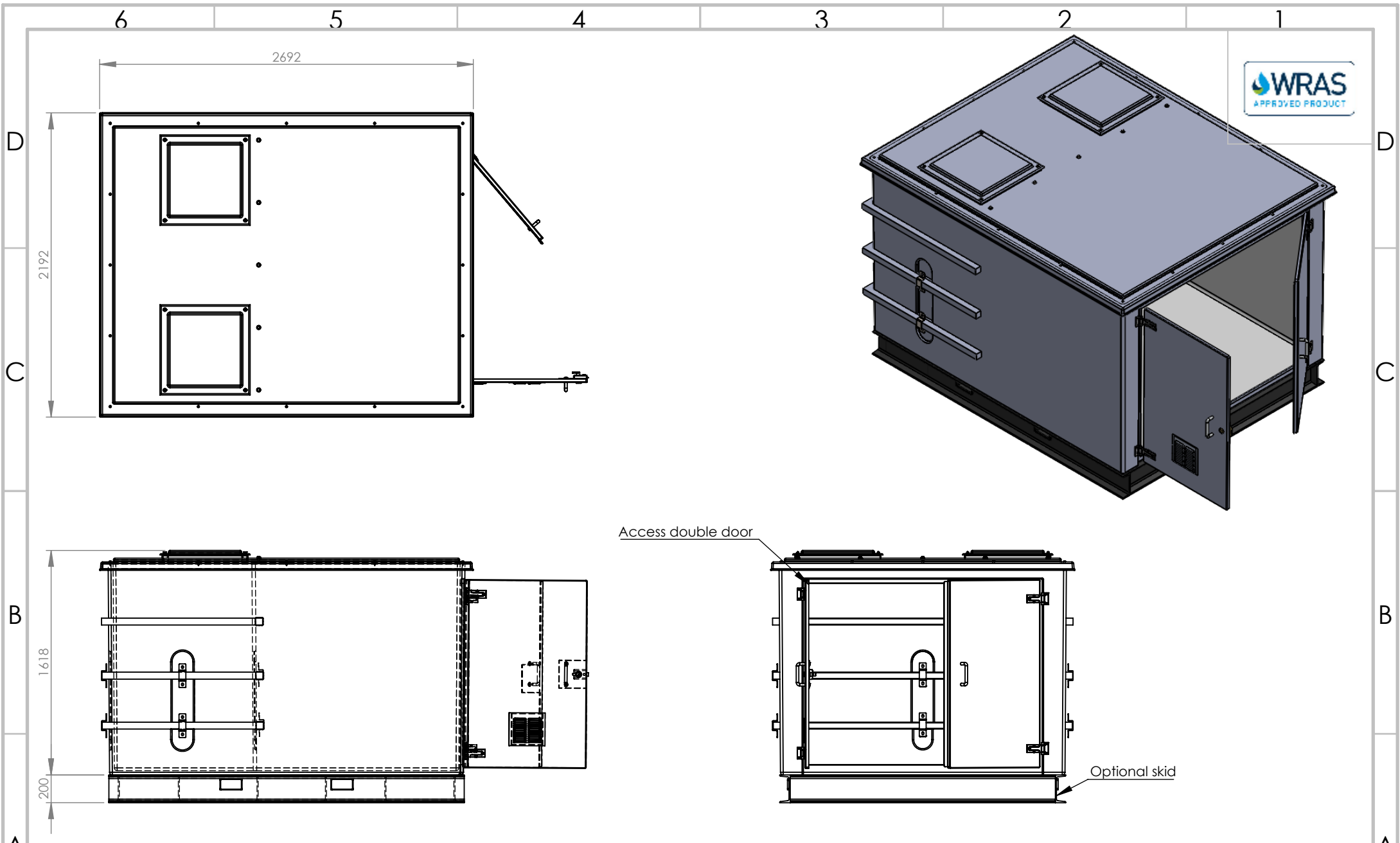
5

4

3

2

1



Access double door

Optional skid

TITLE
CUCOMP.7500-3000
 c/w skid

DRAWN BY J. Ellison DATE 17/06/2022

CUSTOMER CUSTOMER

NOTE:
 All tanks must be fully supported on a flat level & continuous foundation providing structural support to the tank when full to maximum operating capacity. It is essential that the user refers to the conditions of installation document prior to the installation of the tank. Under no circumstances should the tank body be used to provide support to pipework and ancillary items. The tank lid is a structural part of the tank and must be in place and fitted correctly when water is contained within the tank.

ALL DIMENSIONS +/- 5mm UNLESS OTHERWISE STATED

DESCRIPTION:
 CUCOMP.7500-3000.AG Airgap Combination Unit c/w steel skid

A4

ALL DIMENSIONS IN MM - DO NOT SCALE

DATE	VERSION	NOTES
04/03/2022	A	FIRST ISSUE

TANK SPECIFICATION :		
WET COMPARTMENT	1000 x 2000 x 1500mm	
DRY COMPARTMENT	1500 x 2000 x 1500mm	
EXTERNAL DIMENSIONS	2692 x 2192 x 1818mm	
NOMINAL CAPACITY	3000 Litres	
INSULATION THICKNESS	25mm	
MATERIAL	GRP	



SCALE:1:35 SHEET 2 OF 2