

TITLE
CUCOMP.2501-1250

DRAWN BY **J. Ellison** DATE **17/06/2022**

CUSTOMER **CUSTOMER**

NOTE:
All tanks must be fully supported on a flat level & continuous foundation providing structural support to the tank when full to maximum operating capacity. It is essential that the user refers to the conditions of installation document prior to the installation of the tank. Under no circumstances should the tank body be used to provide support to pipework and ancillary items. The tank lid is a structural part of the tank and must be in place and fitted correctly when water is contained within the tank.

ALL DIMENSIONS +/- 5mm UNLESS OTHERWISE STATED

DESCRIPTION:
CUCOMP.2501-1250.AG Airgap Combination Unit

A4

ALL DIMENSIONS IN MM - DO NOT SCALE

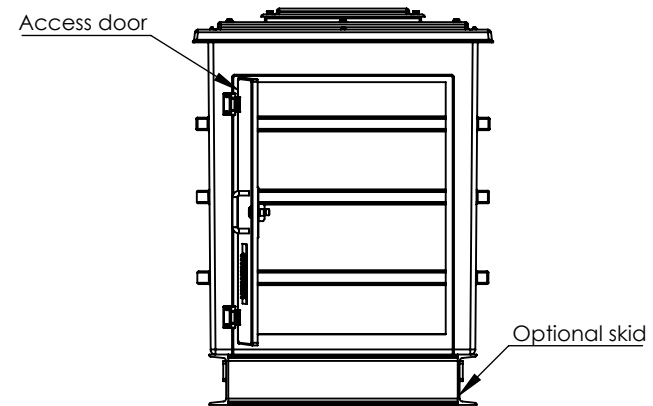
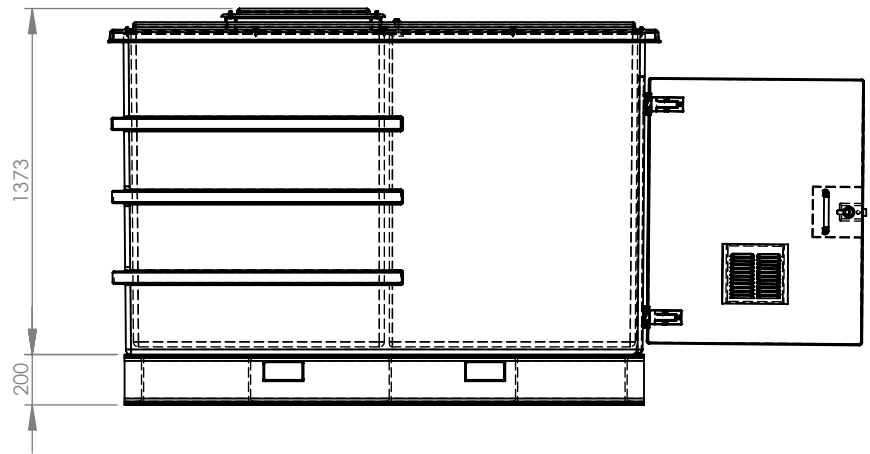
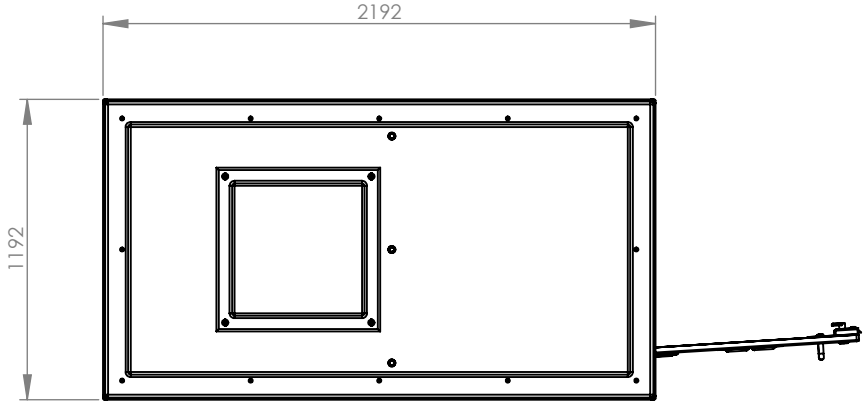
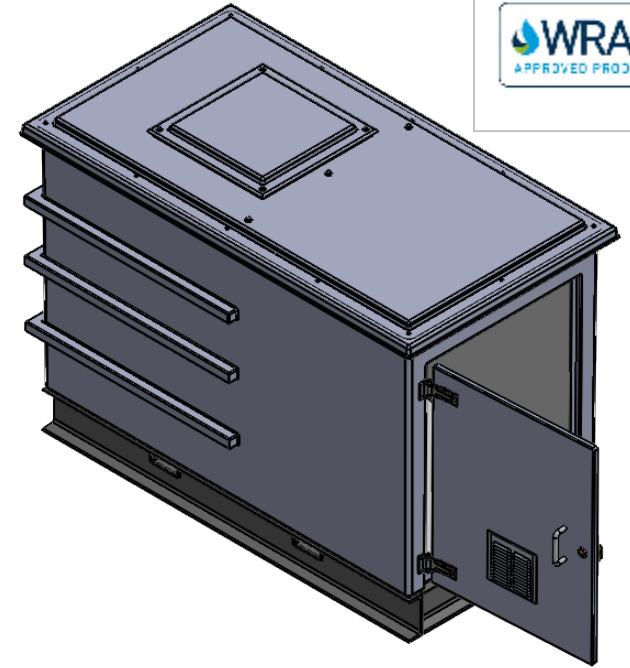
DATE	VERSION	NOTES
02/03/2022	A	FIRST ISSUE

TANK SPECIFICATION :

WET COMPARTMENT	1000 x 1000 x 1250mm
DRY COMPARTMENT	1000 x 1000 x 1250mm
EXTERNAL DIMENSIONS	2192 x 1192x 1373mm
NOMINAL CAPACITY	1250 Litres
INSULATION THICKNESS	25mm
MATERIAL	GRP



SCALE:1:30 SHEET 1 OF 2



TITLE
CUCOMP.2501-1250
c/w skid

DRAWN BY **J. Ellison** DATE **17/06/2022**

CUSTOMER **CUSTOMER**

NOTE:
 All tanks must be fully supported on a flat level & continuous foundation providing structural support to the tank when full to maximum operating capacity. It is essential that the user refers to the conditions of installation document prior to the installation of the tank. Under no circumstances should the tank body be used to provide support to pipework and ancillary items. The tank lid is a structural part of the tank and must be in place and fitted correctly when water is contained within the tank.

ALL DIMENSIONS +/- 5mm UNLESS OTHERWISE STATED

DESCRIPTION:
 CUCOMP.2501-1250.AG Airgap Combination Unit c/w steel skid

A4

ALL DIMENSIONS IN MM - DO NOT SCALE

DATE	VERSION	NOTES
02/03/2022	A	FIRST ISSUE

TANK SPECIFICATION :

WET COMPARTMENT	1000 x 1000 x 1250mm
DRY COMPARTMENT	1000 x 1000 x 1250mm
EXTERNAL DIMENSIONS	2192 x 1192 x 1573mm
NOMINAL CAPACITY	1250 Litres
INSULATION THICKNESS	25mm
MATERIAL	GRP



SCALE:1:30 SHEET 2 OF 2