

TITLE
CUCOMP.1500-500

DRAWN BY J. Ellison DATE 17/06/2022

CUSTOMER CUSTOMER

NOTE:
All tanks must be fully supported on a flat level & continuous foundation providing structural support to the tank when full to maximum operating capacity. It is essential that the user refers to the conditions of installation document prior to the installation of the tank. Under no circumstances should the tank body be used to provide support to pipework and ancillary items. The tank lid is a structural part of the tank and must be in place and fitted correctly when water is contained within the tank.

ALL DIMENSIONS +/- 5mm UNLESS OTHERWISE STATED

DESCRIPTION:
CUCOMP.1500-500.AG Air gap combination unit

A4

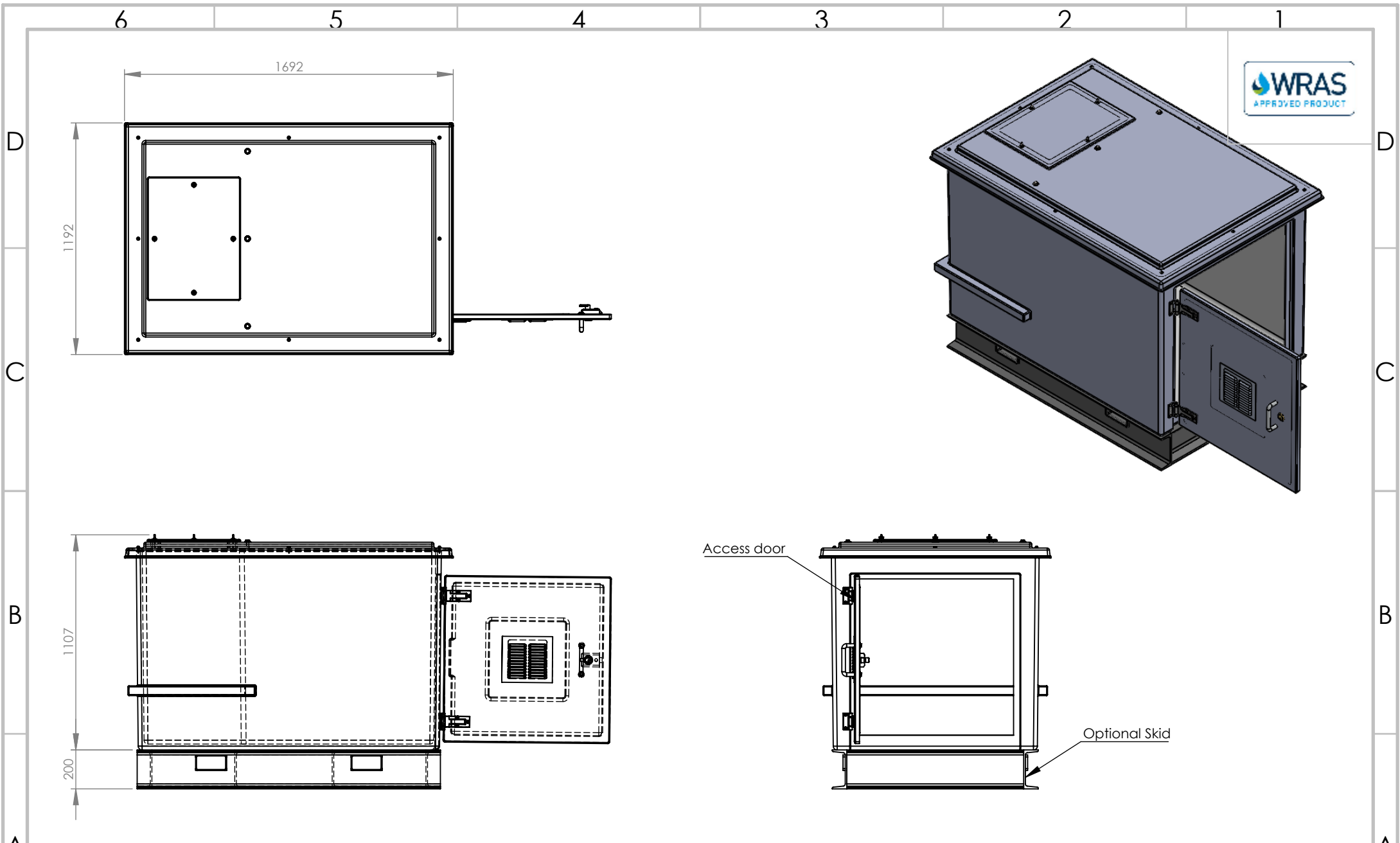
ALL DIMENSIONS IN MM - DO NOT SCALE

| DATE | VERSION | NOTES |
|------------|---------|-------------|
| 02/03/2022 | A | FIRST ISSUE |
| | | |
| | | |
| | | |
| | | |
| | | |

TANK SPECIFICATION :

| | |
|----------------------|----------------------|
| WET COMPARTMENT | 500 x 1000 x 1000mm |
| DRY COMPARTMENT | 1000 x 1000 x 1000mm |
| EXTERNAL DIMENSIONS | 1692 x 1192 x 1107mm |
| NOMINAL CAPACITY | 500 Litres |
| INSULATION THICKNESS | 25mm |
| MATERIAL | GRP |

SCALE:1:25 SHEET 1 OF 2



TITLE
CUCOMP.1500-500
c/w skid

DRAWN BY
J. Ellison

DATE
17/06/2022

CUSTOMER
CUSTOMER

NOTE:
 All tanks must be fully supported on a flat level & continuous foundation providing structural support to the tank when full to maximum operating capacity. It is essential that the user refers to the conditions of installation document prior to the installation of the tank. Under no circumstances should the tank body be used to provide support to pipework and ancillary items. The tank lid is a structural part of the tank and must be in place and fitted correctly when water is contained within the tank.

A4

DESCRIPTION:
CUCOMP.1500-500.AG Air gap combination unit
c/w steel skid

ALL DIMENSIONS IN MM - DO NOT SCALE

| DATE | VERSION | NOTES |
|------------|---------|-------------|
| 02/03/2022 | A | FIRST ISSUE |
| | | |
| | | |
| | | |
| | | |
| | | |

TANK SPECIFICATION :

| | |
|----------------------|----------------------|
| WET COMPARTMENT | 500 x 1000 x 1000mm |
| DRY COMPARTMENT | 1000 x 1000 x 1000mm |
| EXTERNAL DIMENSIONS | 1692 x 1192 x 1307mm |
| NOMINAL CAPACITY | 500 Litres |
| INSULATION THICKNESS | 25mm |
| MATERIAL | GRP |

SCALE:1:25

SHEET 2 OF 2