

8

7

6

5

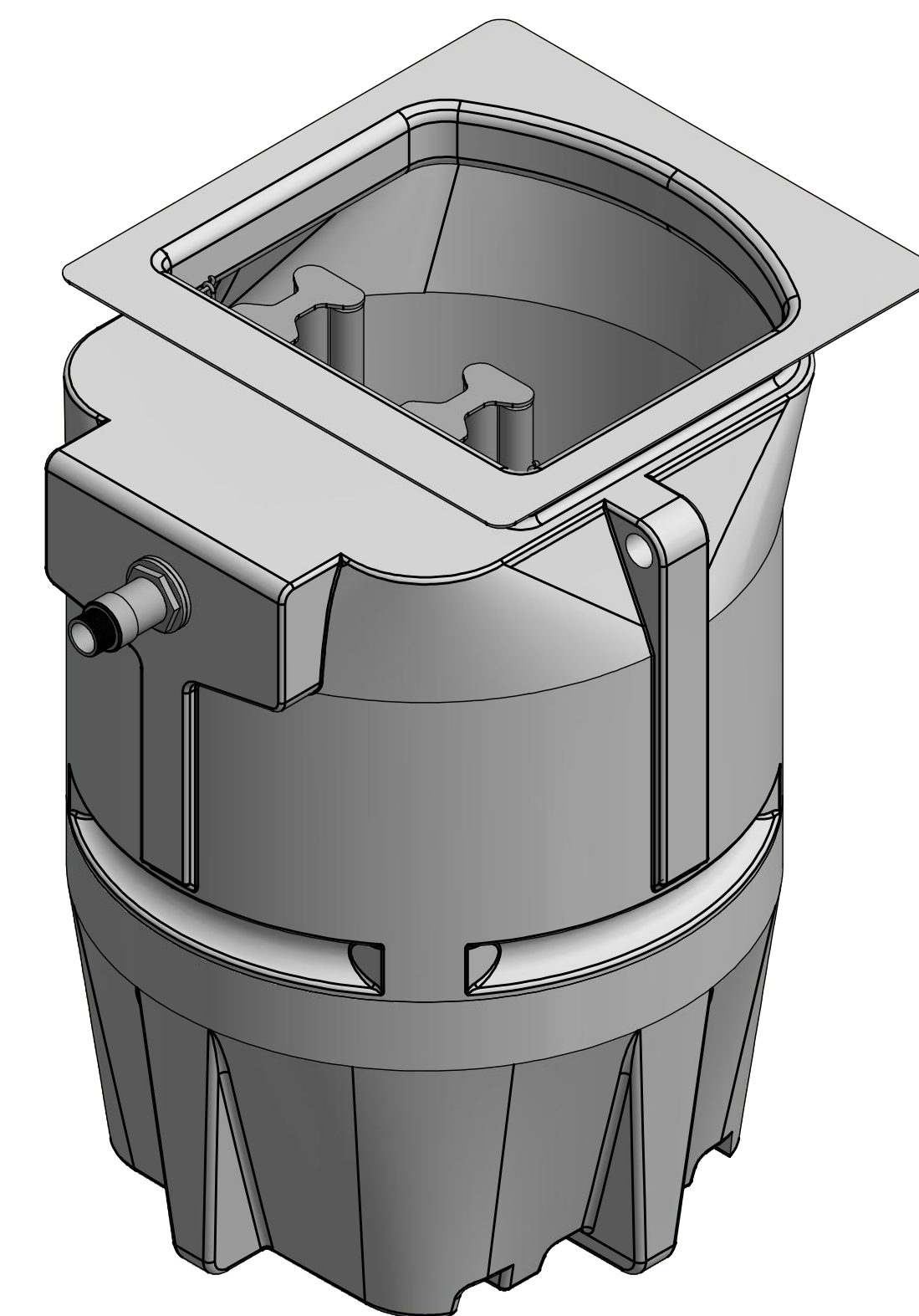
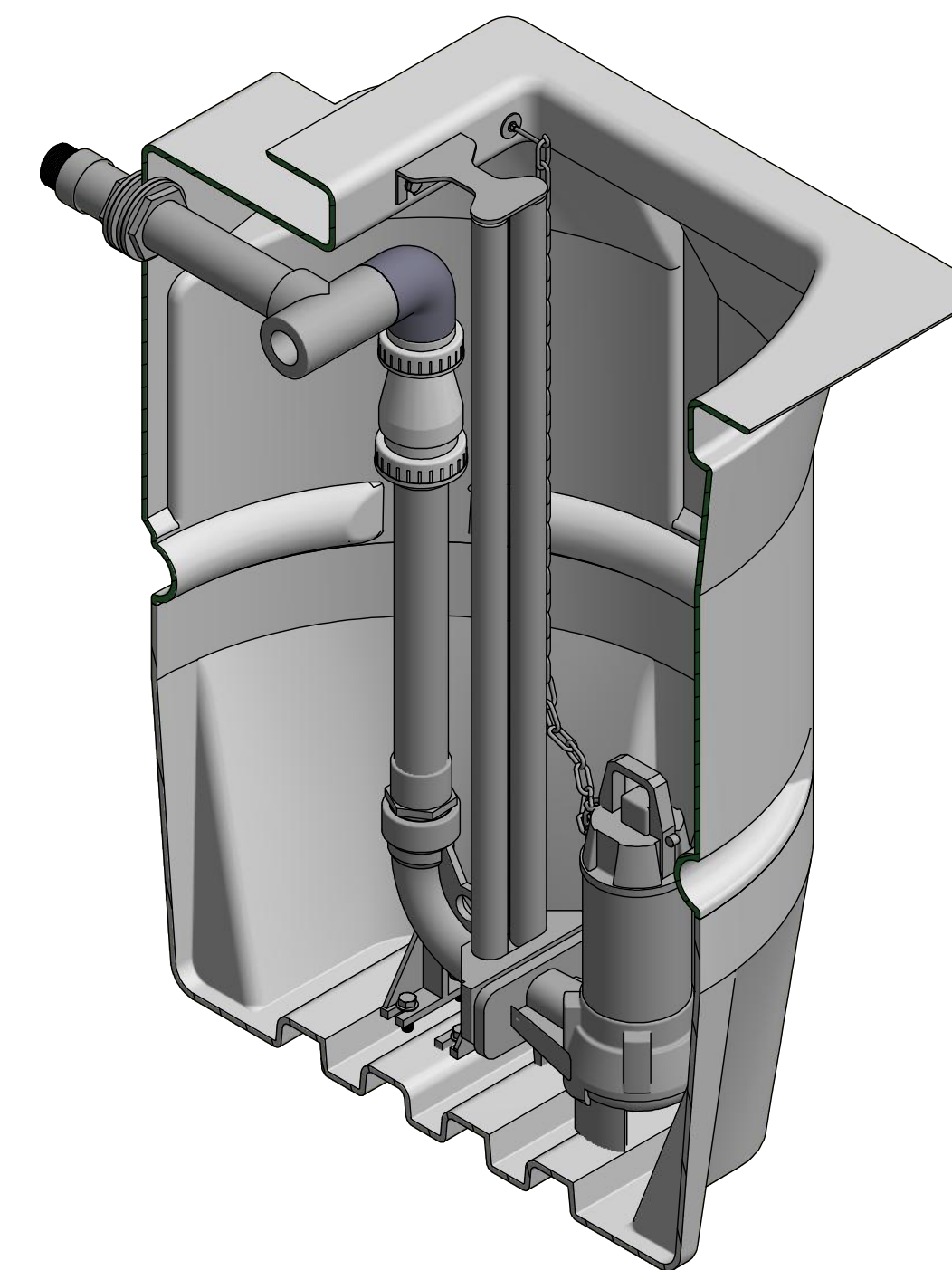
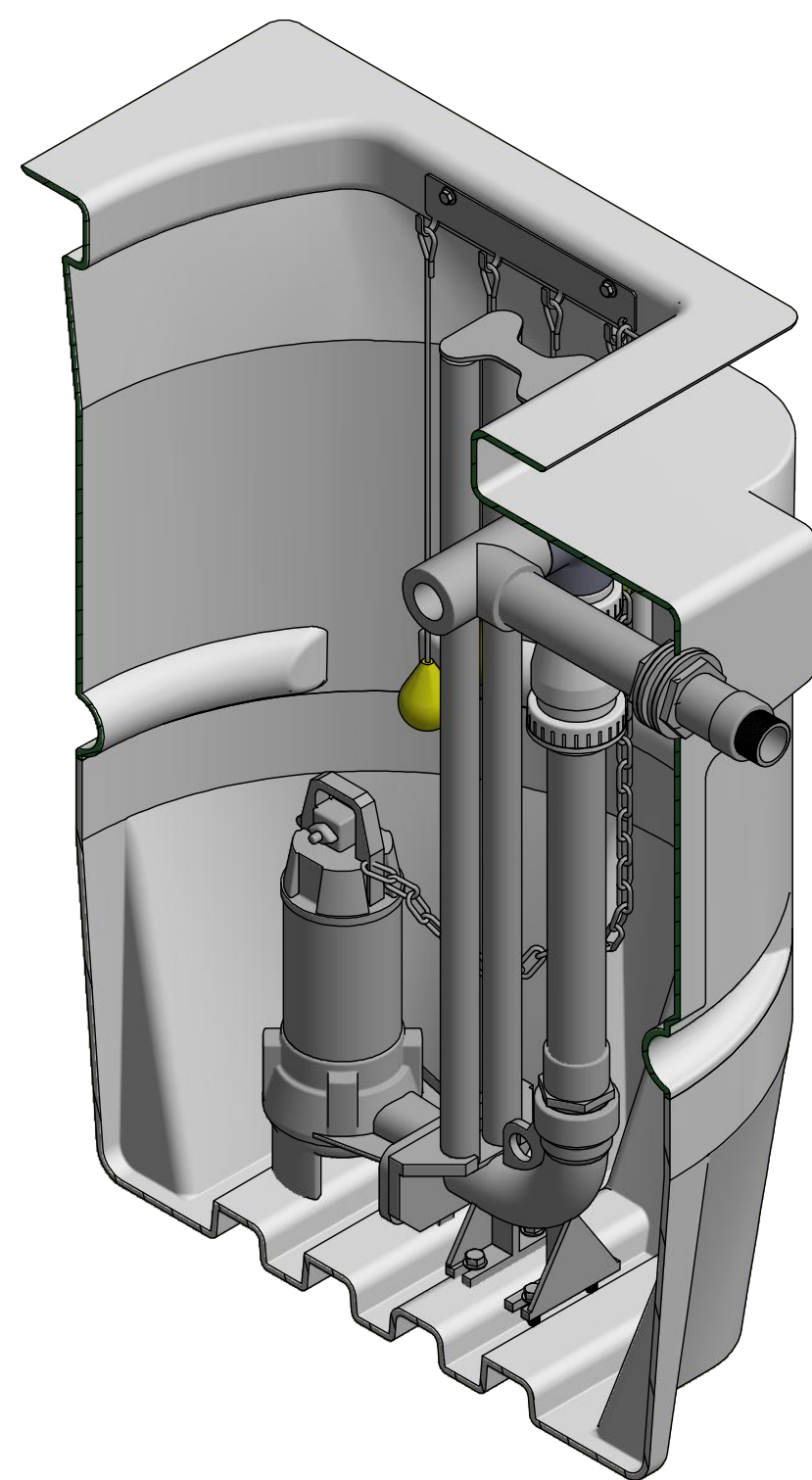
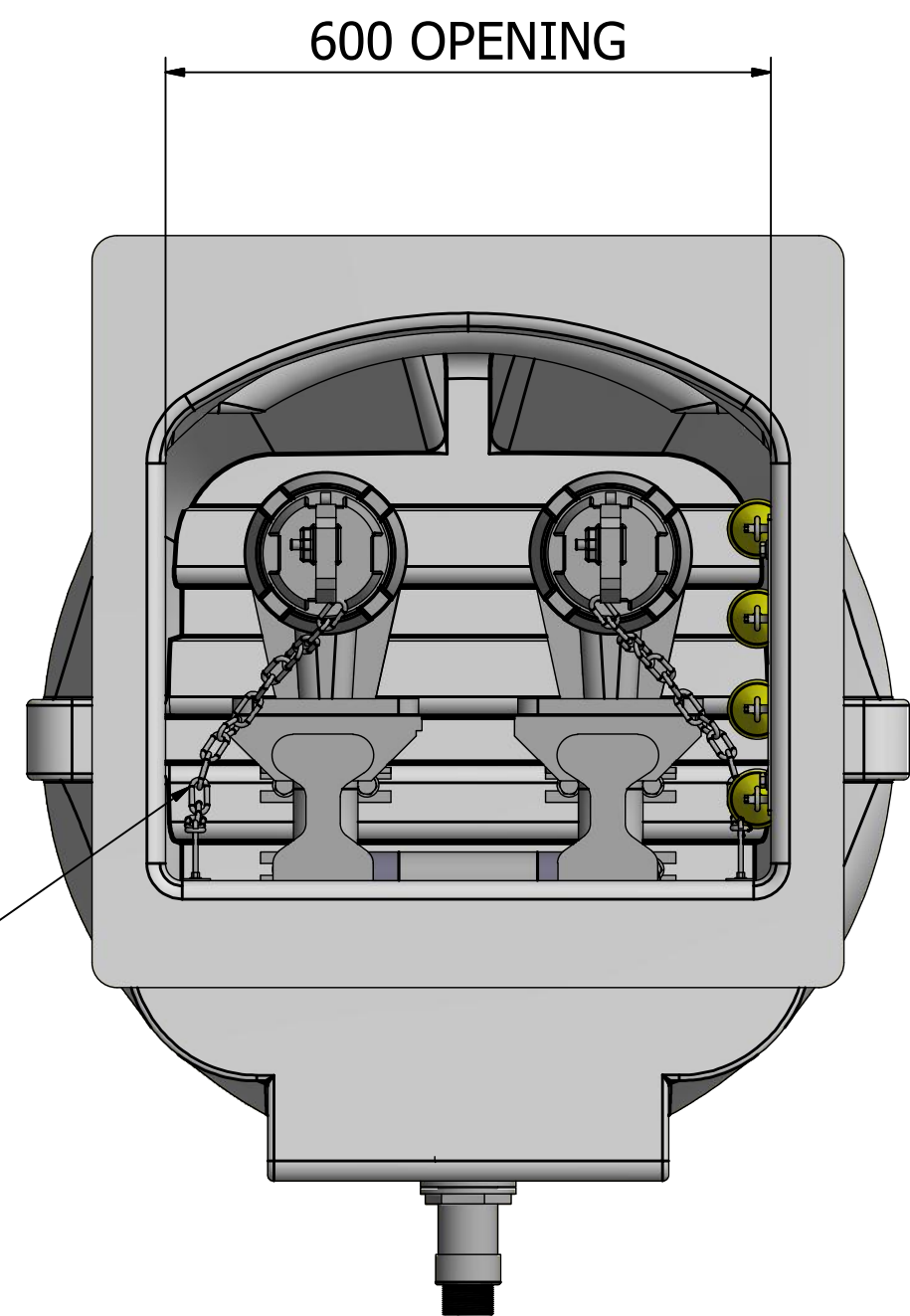


4

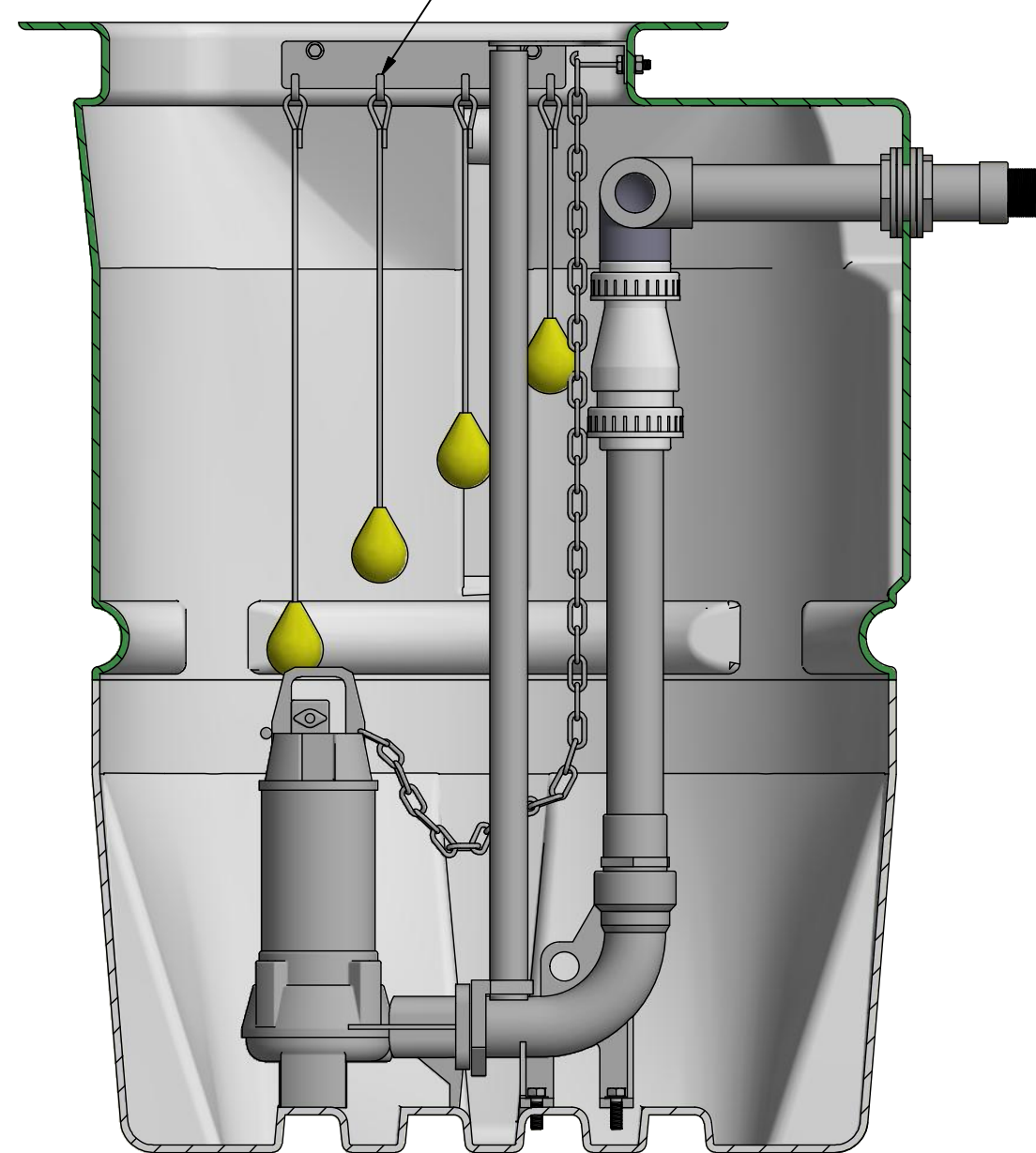
3

2

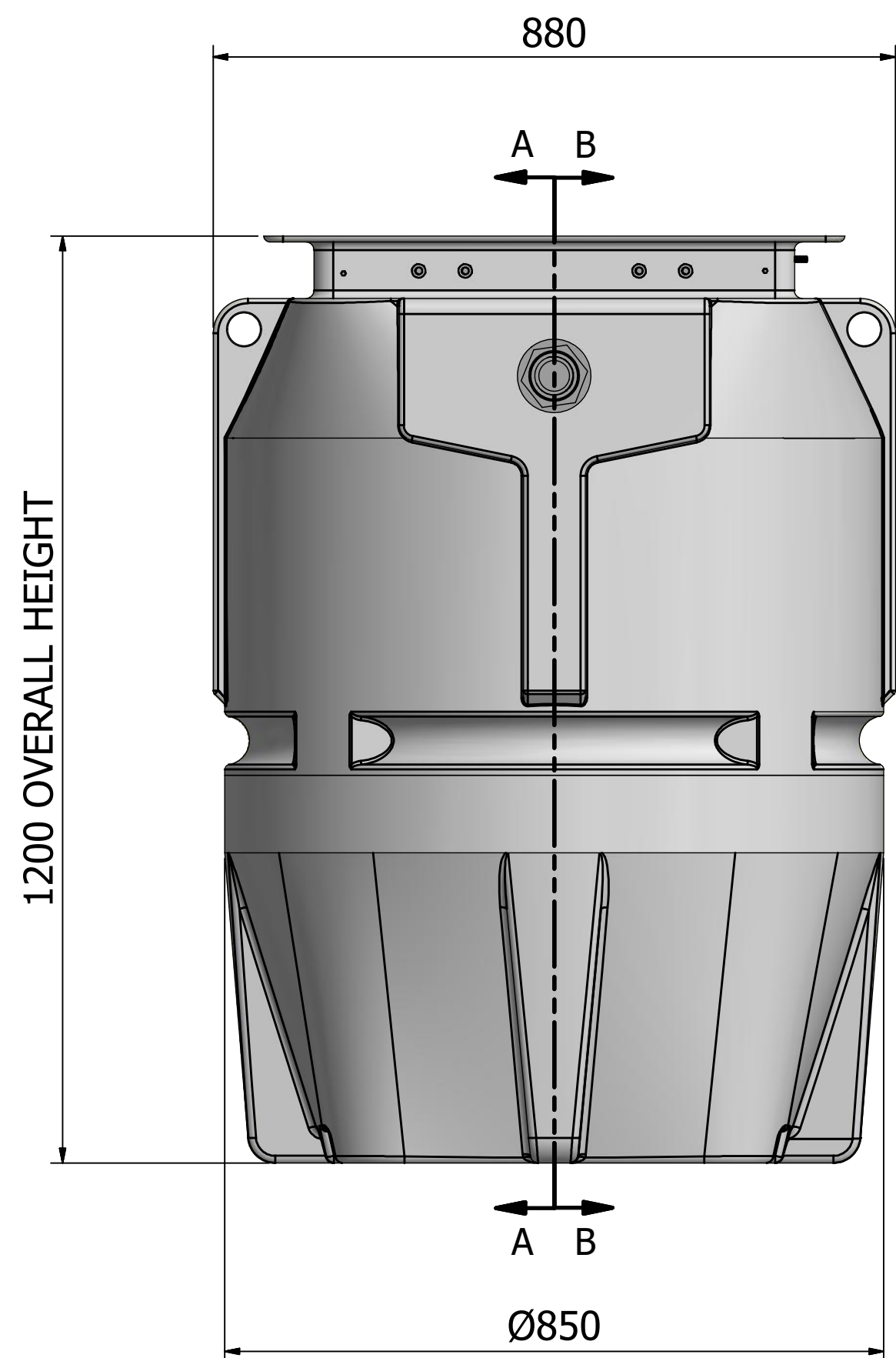
1



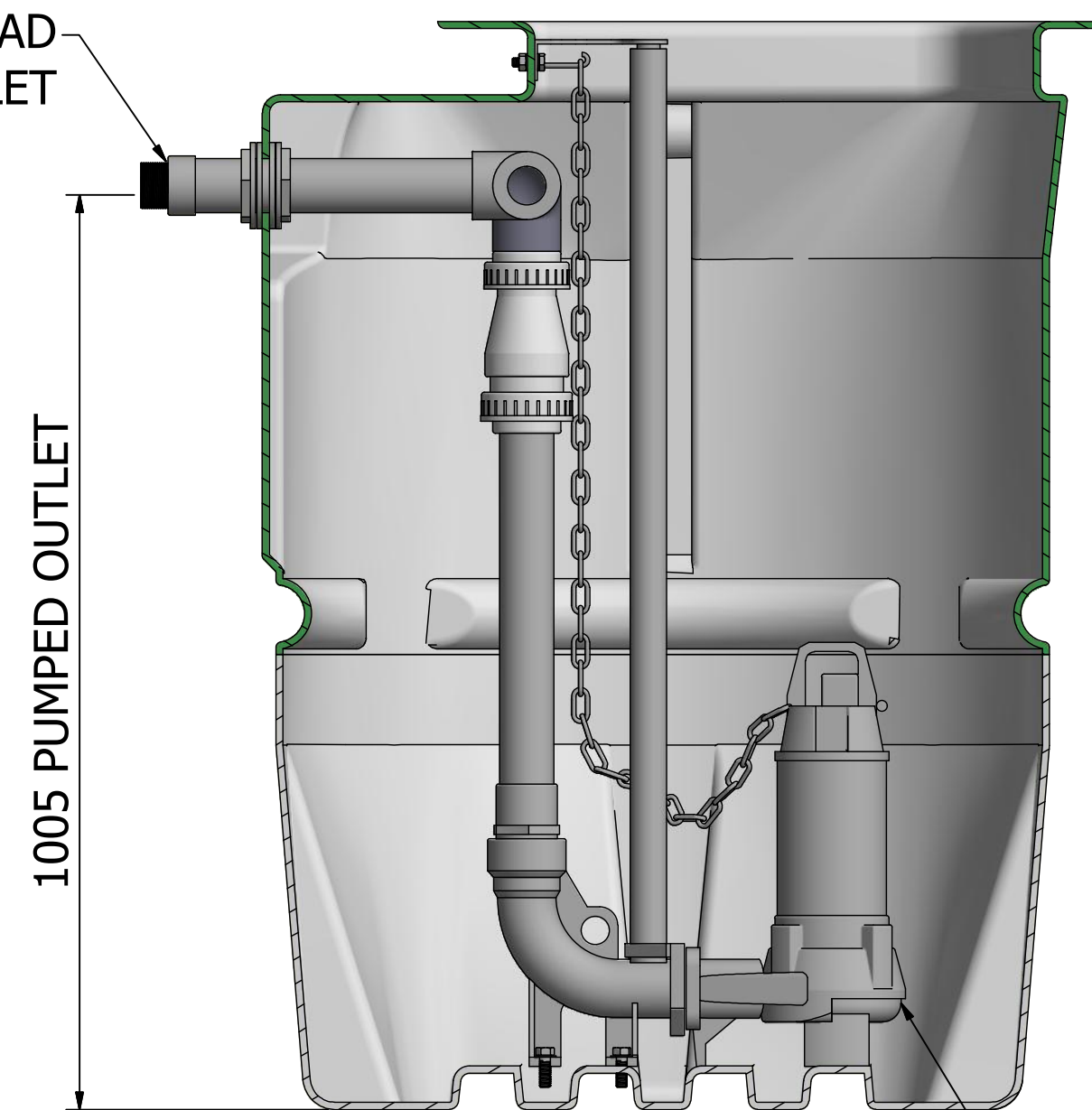
LEVEL SWITCHES & BRACKET



SECTION B-B  
SCALE 1:7.5



2" (M) THREAD PUMPED OUTLET



SECTION A-A  
SCALE 1:7.5

TWIN SET  
HEAVY DUTY PUMPS

Rev	Date	Description
THIRD ANGLE PROJECTION		
THIS DRAWING IS CONFIDENTIAL AND MAY NOT BE USED, COPIED OR DISCLOSED TO ANYONE WITHOUT THE PERMISSION OF D.P. & T.		
PRODUCT CODE MINI 680T		PRODUCT DESCRIPTION TWIN PUMP VERSION
Drawn By:	R.U.	Checked By: C.W. Approved By: C.W. REV 1 SHEET 1 OF 1
Drawn Date:	20/09/2022	Checked Date: 20/09/2022 Approved Date: 20/09/2022 SIZE A3 SCALE 1:7.5

8

7

6

5



4

3

2

1